
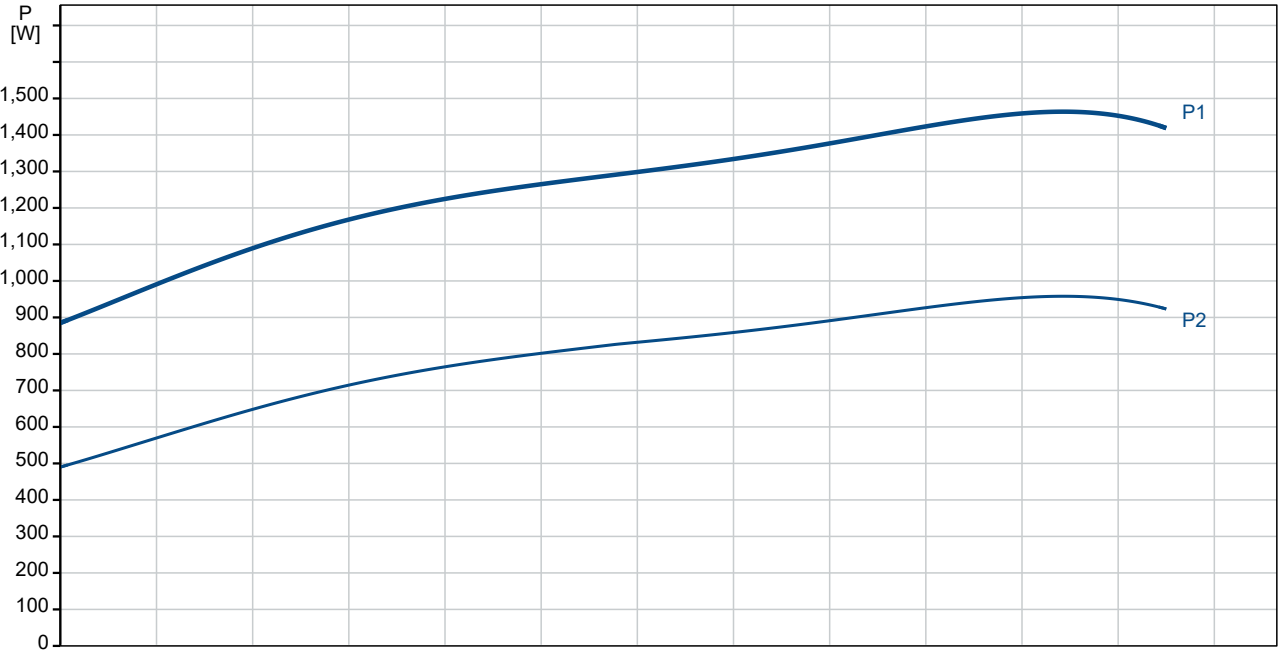
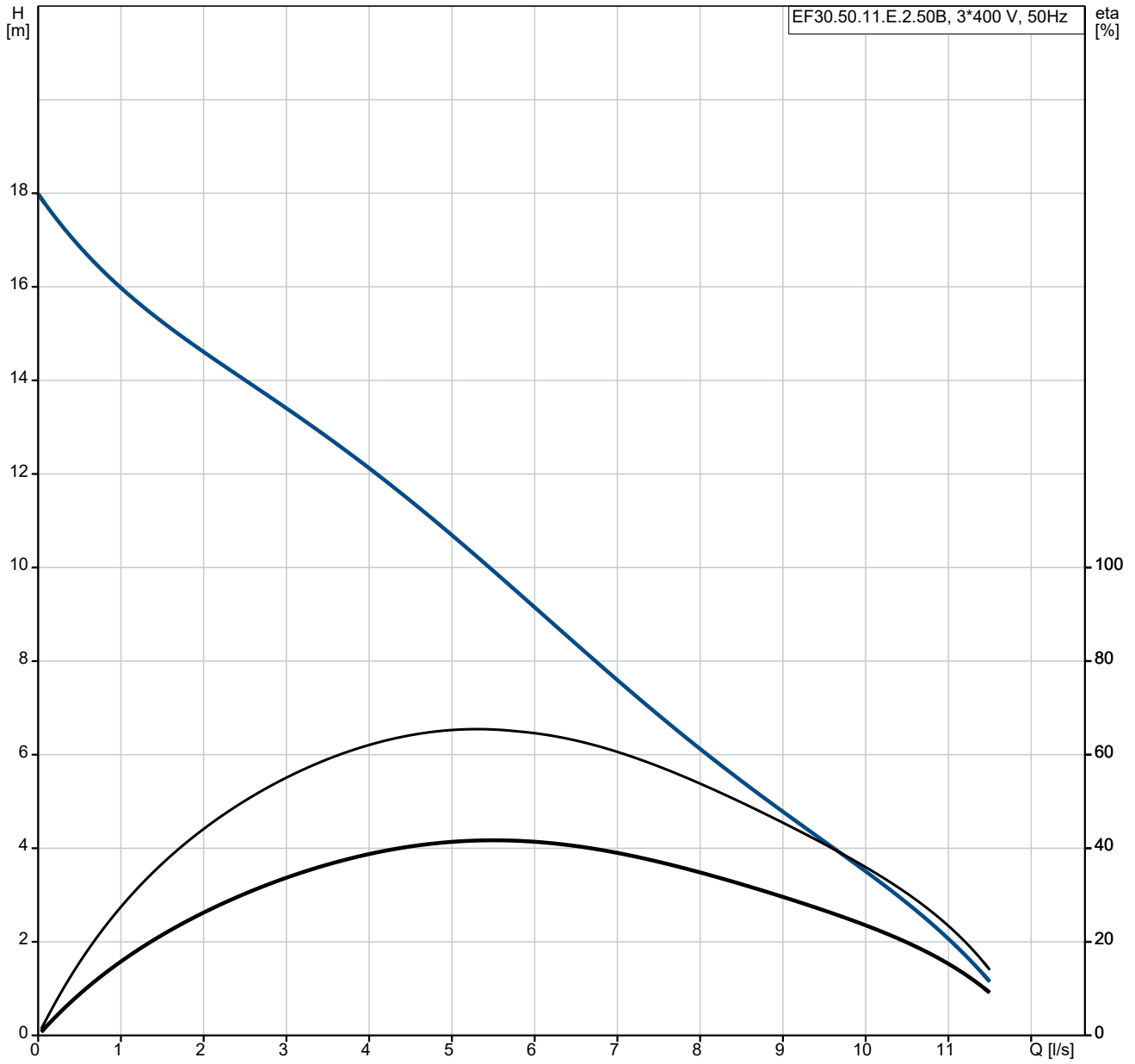


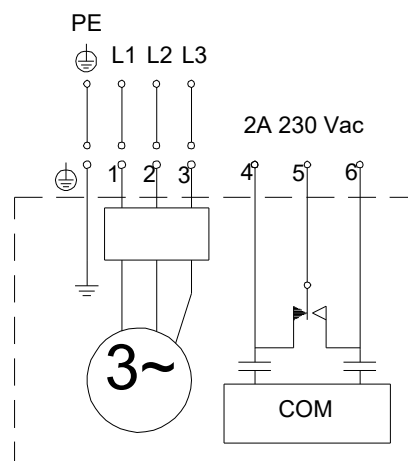
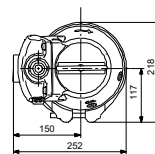
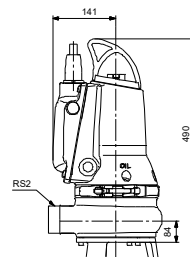
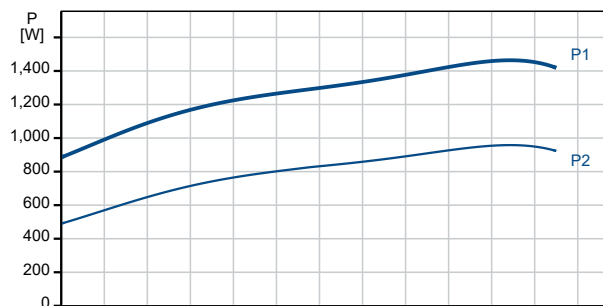
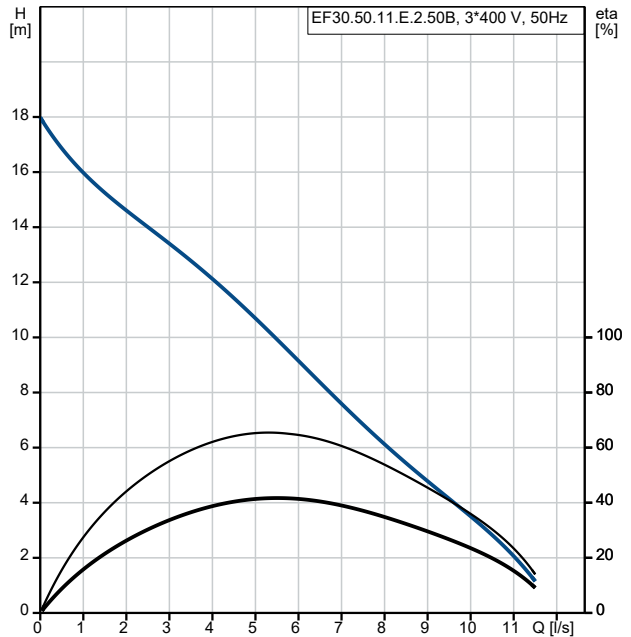
Qty.	Description
1	<p data-bbox="199 159 422 188">EF30.50.11.E.2.50B</p>  <p data-bbox="592 506 1062 530" style="text-align: center;">Note! Product picture may differ from actual product</p> <p data-bbox="199 539 464 564">Product No.: 96878445</p> <p data-bbox="199 598 1287 624">GRUNDFOS EF AUTOADAPT pump is a portable pump for both domestic and industrial applications.</p> <p data-bbox="199 656 1283 683">The pump has a single-vane, semi-open impeller for 30 mm free passage and is suitable for pumping</p> <ul data-bbox="199 687 952 804" style="list-style-type: none"> • drainage and surface water with small impurities • wastewater with fibres, e.g. from laundries • wastewater without discharge from toilets • wastewater from commercial buildings without discharge from toilets. <p data-bbox="199 835 1195 862">The compact design makes the pump suitable for both temporary and permanent installation.</p> <p data-bbox="199 925 1034 952">The pump has an intermediate oil chamber pre-filled with non-toxic special oil.</p> <p data-bbox="199 983 1374 1034">The pump is fitted with a cable plug for easy dismantling. This plug is hermetically sealed with polyurethane to prevent water from penetrating through the cable into the motor.</p> <p data-bbox="199 1070 1399 1122">A clamp between pump housing and motor ensures easy and safe dismantling and assembly. Inspection can be done in the field without any special tools.</p> <p data-bbox="199 1158 1455 1209">The pump is fitted with a double shaft seal in the unique cartridge design. This makes it easy to replace the shaft seal very quickly in the field without any special tools. It also eliminates the risk of faulty installation.</p> <p data-bbox="199 1245 1185 1272">The motor is insulation class F and has long-life, deep-groove, greased-for-life ball bearings.</p> <p data-bbox="199 1303 1414 1330">The pump has R 2 discharge port and is ready for installation either free-standing or on an auto-coupling system.</p> <p data-bbox="199 1361 1444 1413">The Grundfos EF AUTOADAPT pumps incorporate a controller, sensors and motor-protection. They only need to be connected to the mains supply.</p> <p data-bbox="199 1422 1445 1473">If several pumps are installed in the same tank, the control logic incorporated in the pump will ensure that the load is distributed evenly among the pumps over time.</p> <ul data-bbox="199 1482 421 1509" style="list-style-type: none"> • Alarm relay output. <p data-bbox="199 1514 1182 1565">The pump incorporates an alarm relay output. NC and NO are available and can be used as required, for example for acoustic or visual alarms.</p> <ul data-bbox="199 1570 892 1686" style="list-style-type: none"> • Random start delay in case of general power shutdown. • The pump does not start unless the phase sequence is correct. • Self-calibration after each pump cycle. • Anti-seizing system. <p data-bbox="199 1691 1453 1742">The anti-seizing system start the pump at programmed intervals to prevent the impeller from seizing up. This function will overwrite the dry-run sensor for non EX versions.</p> <ul data-bbox="199 1747 592 1774" style="list-style-type: none"> • After-run possibility (foam draining) <p data-bbox="199 1778 922 1805">After-run is possible in programmed intervals if risk of floating layer.</p> <p data-bbox="199 1836 1422 1888">The Grundfos CIU unit can be connected permanent or temporarily for changing the pre-setting, further settings or read out from the logging and operation parameters like no. of starts and operating hours.</p> <p data-bbox="199 1955 301 1982">Controls:</p> <p data-bbox="199 1986 834 2013">Moisture sensor: without moisture sensors</p> <p data-bbox="199 2018 847 2045">Water-in-oil sensor: without water-in-oil sensor</p> <p data-bbox="199 2049 671 2076">AUTOADAPT with/without (Yes/No): YES</p>

Qty.	Description
1	<p>Liquid: Liquid temperature range: 0 .. 40 °C Density: 998.2 kg/m³</p> <p>Technical: Max flow: 12.3 l/s Type of impeller: SEMI OPEN Maximum particle size: 30 mm Primary shaft seal: SIC/SIC Max. hydraulic efficiency: 63 % Curve tolerance: ISO9906:2012 3B2</p> <p>Materials: Pump housing: Cast iron EN-JL-1030 Impeller: Cast iron EN-GJS-500-7</p> <p>Installation: t max amb: 40 °C Maximum operating pressure: 6 bar Pump outlet: R 2 Maximum installation depth: 10 m Auto-coupling: Y</p> <p>Electrical data: Power input - P1: 1.6 kW Rated power - P2: 1.1 kW Mains frequency: 50 Hz Rated voltage: 3 x 400-415 V Voltage tolerance: +6/-10 % Max starts per. hour: 30 Rated current: 3.1/3.1 A Rated current at 3/4 load: 2.7 A Rated current at 1/2 load: 2.2 A Starting current: 21 A Rated current at no load: 1.9 A Cos phi - power factor: 0.81 Cos phi - p.f. at 3/4 load: 0.74 Cos phi - p.f. at 1/2 load: 0.63 Rated speed: 2830 rpm Locked-rotor torque: 11 Nm Breakdown torque: 12 Nm Moment of inertia: 0.0037 kg m² Motor efficiency at full load: 67 % Motor efficiency at 3/4 load: 64 % Motor efficiency at 1/2 load: 57 % Number of poles: 2 Start. method: direct-on-line Enclosure class (IEC 34-5): IP68 Insulation class (IEC 85): F Explosion proof: no Length of cable: 10 m Cable type: 07RN8-F Type of cable plug: No plug</p> <p>Others: Net weight: 38 kg Danish VVS No.: 391293652 Swedish RSK No.: 5885977 Finnish LVI No.: 4822605 Country of origin: HU Custom tariff no.: 84137021</p>

96878445 EF30.50.11.E.2.50B 50 Hz

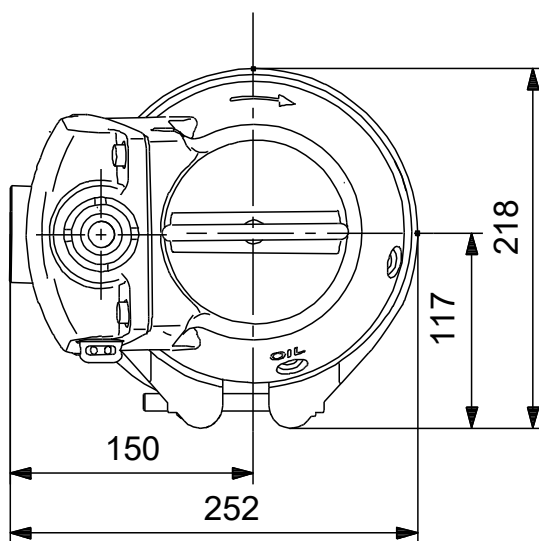
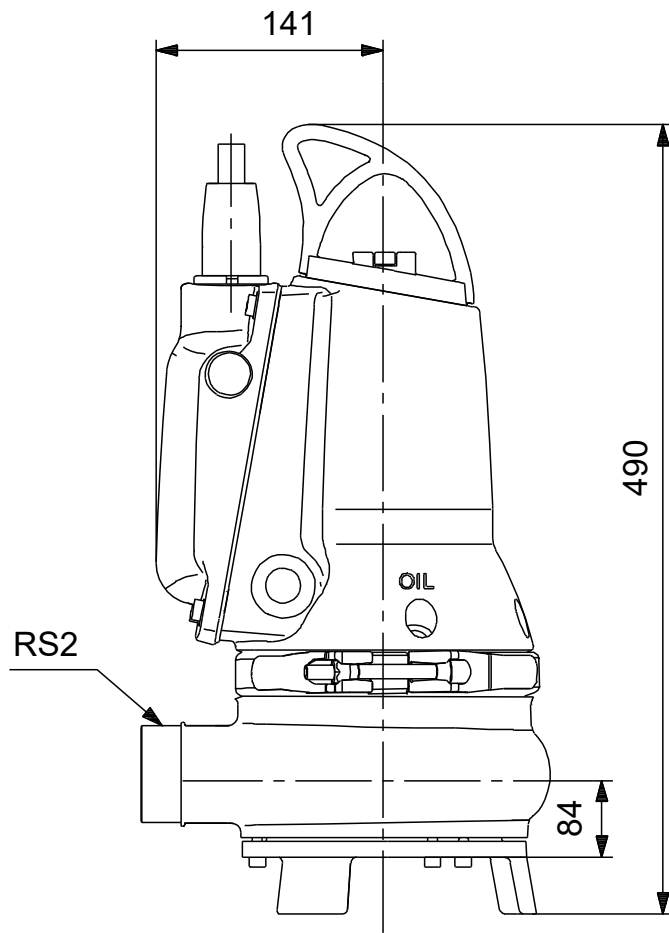


Description	Value
General information:	
Product name:	EF30.50.11.E.2.50B
Product No:	96878445
EAN number:	5700312550228
Technical:	
Max flow:	12.3 l/s
Head max:	20.9 m
Type of impeller:	SEMI OPEN
Maximum particle size:	30 mm
Primary shaft seal:	SIC/SIC
Max. hydraulic efficiency:	63 %
Curve tolerance:	ISO9906:2012 3B2
Materials:	
Pump housing:	Cast iron
Pump housing:	EN-JL-1030
Impeller:	Cast iron
Impeller:	EN-GJS-500-7
Installation:	
t max amb:	40 °C
Maximum operating pressure:	6 bar
Pump outlet:	R 2
Maximum installation depth:	10 m
Inst dry/wet:	S
Installation:	vertical
Auto-coupling:	Y
Liquid:	
Liquid temperature range:	0 .. 40 °C
Density:	998.2 kg/m ³
Electrical data:	
Power input - P1:	1.6 kW
Rated power - P2:	1.1 kW
Mains frequency:	50 Hz
Rated voltage:	3 x 400-415 V
Voltage tolerance:	+6/-10 %
Max starts per. hour:	30
Rated current:	3.1/3.1 A
Rated current at 3/4 load:	2.7 A
Rated current at 1/2 load:	2.2 A
Starting current:	21 A
Rated current at no load:	1.9 A
Cos phi - power factor:	0.81
Cos phi - p.f. at 3/4 load:	0.74
Cos phi - p.f. at 1/2 load:	0.63
Rated speed:	2830 rpm
Locked-rotor torque:	11 Nm
Breakdown torque:	12 Nm
Moment of inertia:	0.0037 kg m ²
Motor efficiency at full load:	67 %
Motor efficiency at 3/4 load:	64 %
Motor efficiency at 1/2 load:	57 %
Number of poles:	2
Start. method:	direct-on-line
Enclosure class (IEC 34-5):	IP68
Insulation class (IEC 85):	F
Explosion proof:	no
Built-in motor protection:	THERMAL SWITCH
Length of cable:	10 m
Cable type:	07RN8-F
Type of cable plug:	No plug
Controls:	
Control box:	not included
Additional I/O:	Build in
Moisture sensor:	without moisture sensors
Water-in-oil sensor:	without water-in-oil sensor



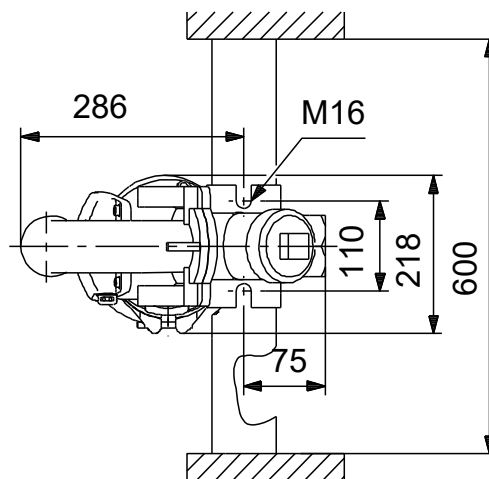
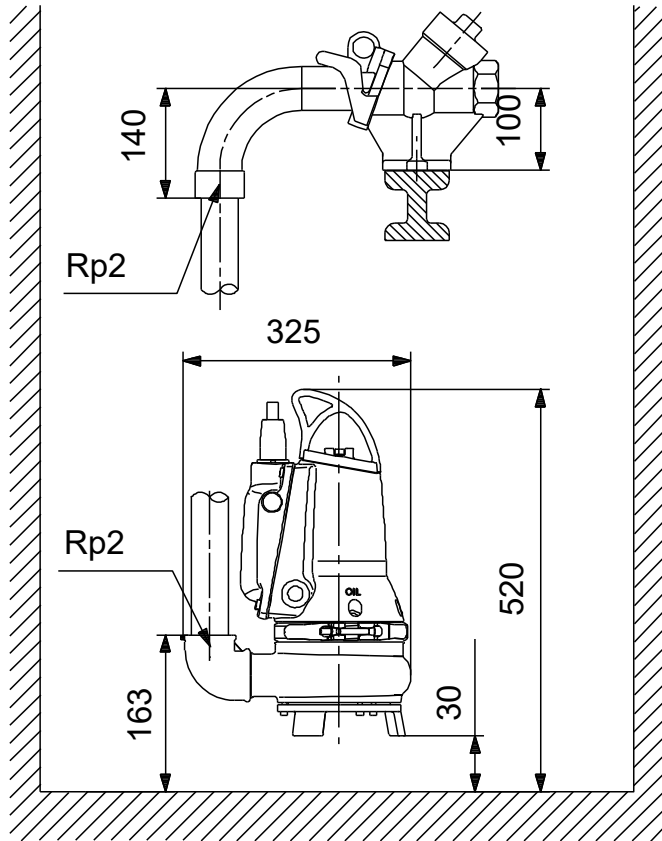
Description	Value
AUTOADAPT with/without (Yes/No):	YES
Others:	
Net weight:	38 kg
Danish VVS No.:	391293652
Swedish RSK No.:	5885977
Finnish LVI No.:	4822605
Country of origin:	HU
Custom tariff no.:	84137021

96878445 EF30.50.11.E.2.50B 50 Hz



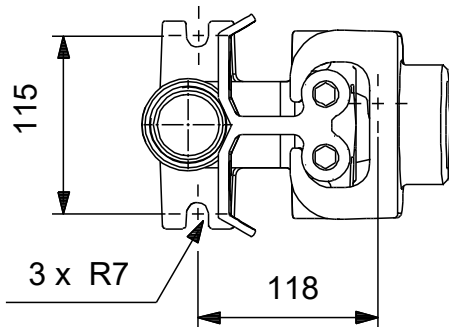
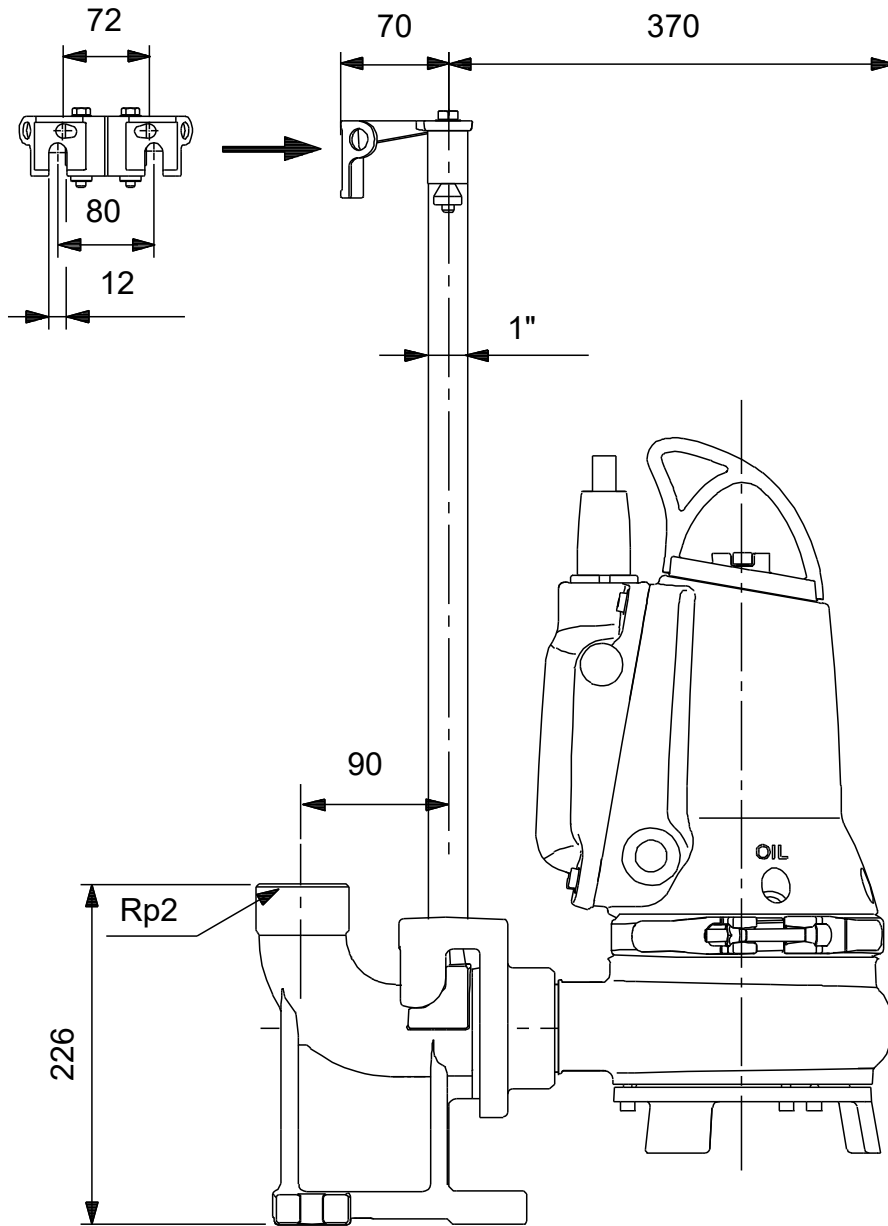
Note! All units are in [mm] unless others are stated.
Disclaimer: This simplified dimensional drawing does not show all details.

96878445 EF30.50.11.E.2.50B 50 Hz

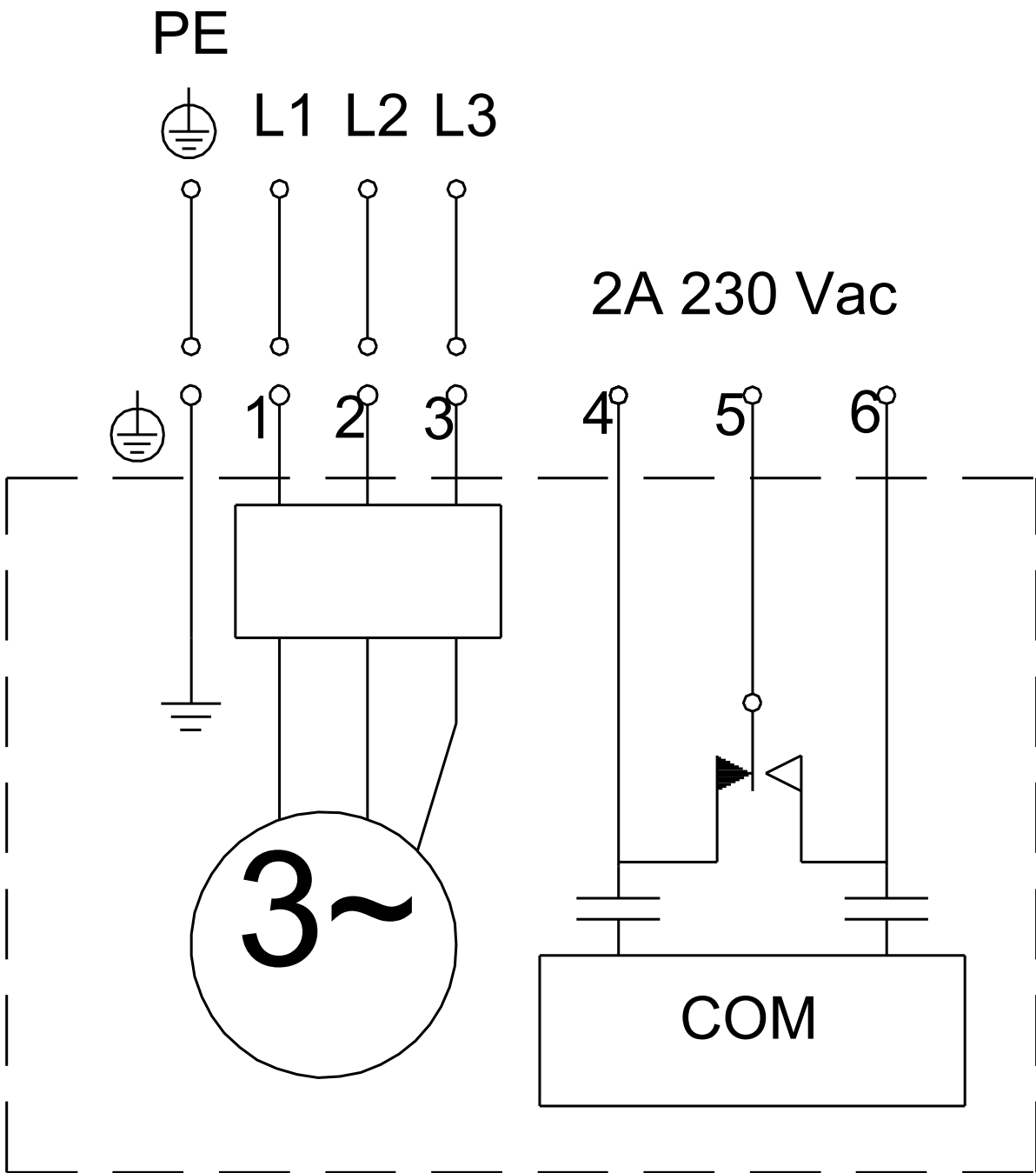


Note! All units are in [mm] unless others are stated.
Disclaimer: This simplified dimensional drawing does not show all details.

96878445 EF30.50.11.E.2.50B 50 Hz



Note! All units are in [mm] unless others are stated.
Disclaimer: This simplified dimensional drawing does not show all details.



Note! All units are in [mm] unless others are stated.

