
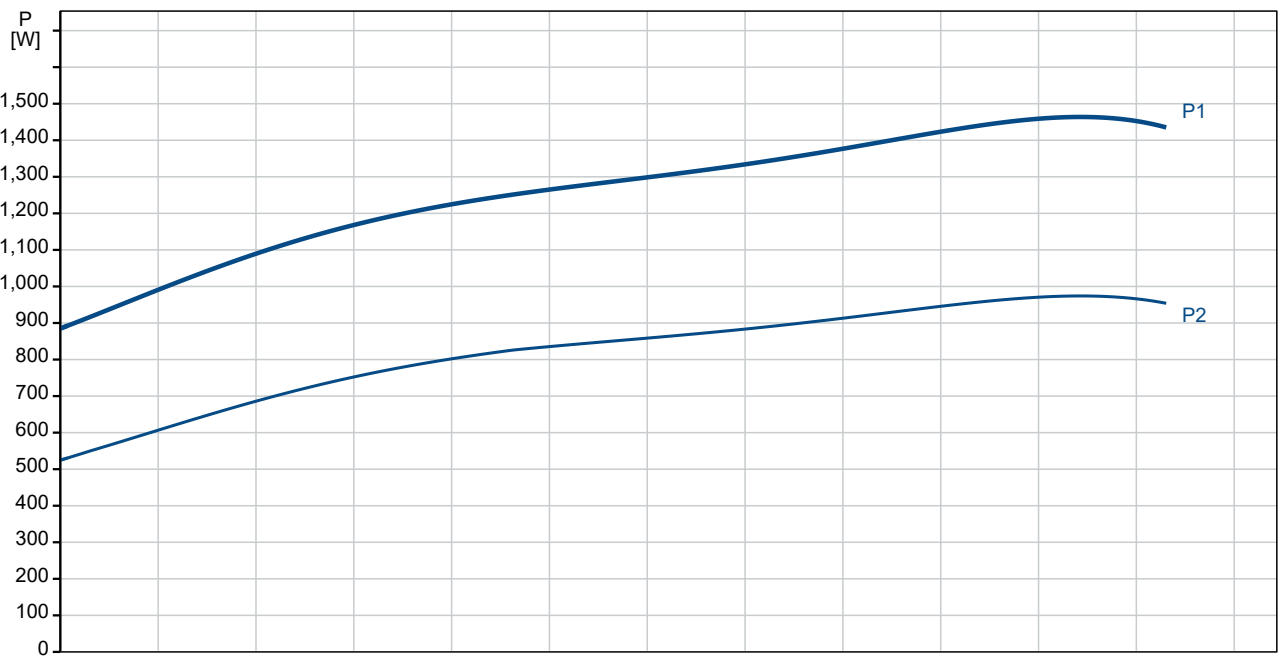
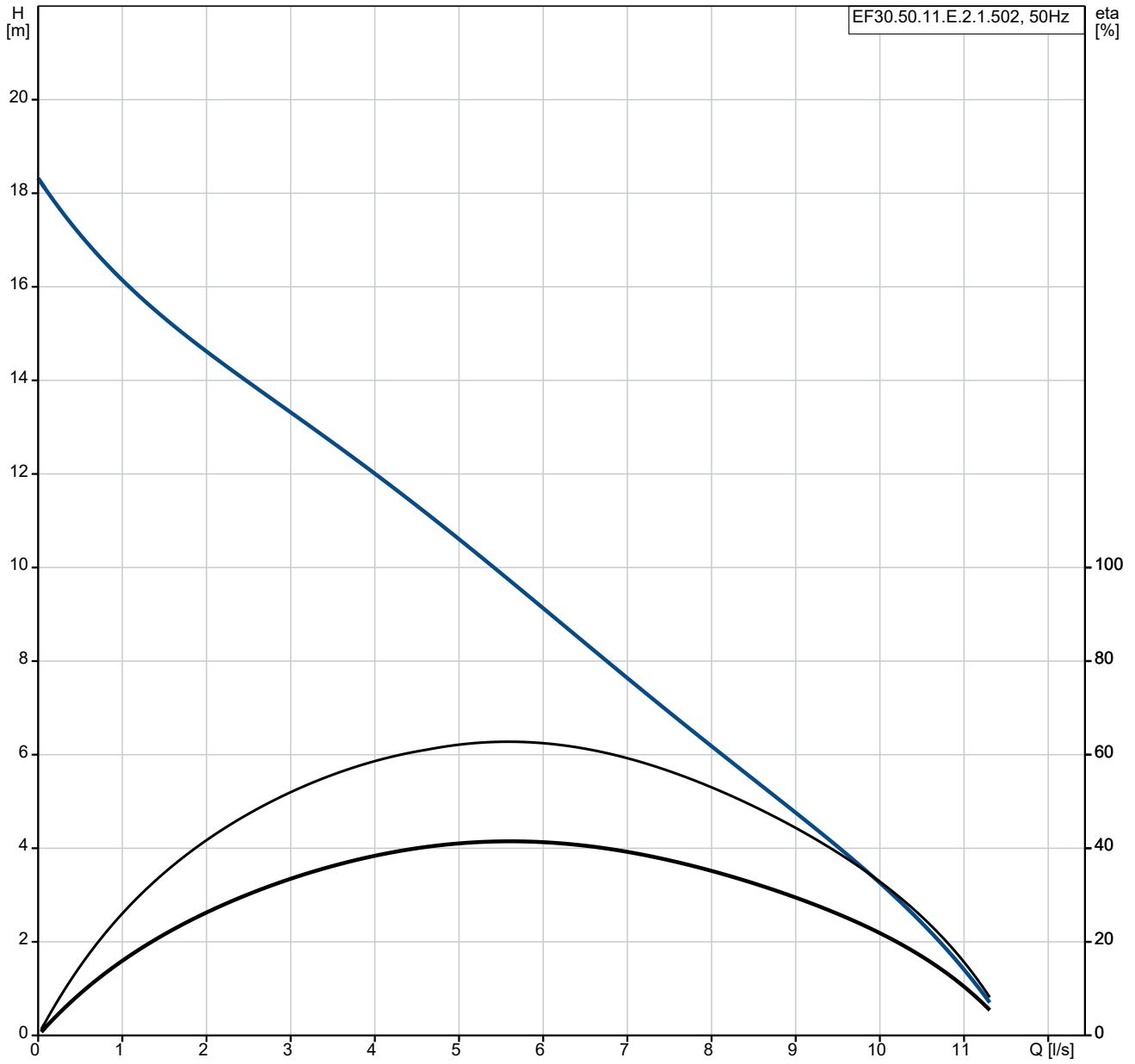


Qty.	Description				
1	<p data-bbox="199 159 438 190">EF30.50.11.E.2.1.502</p>  <p data-bbox="590 504 1061 533" style="text-align: center;">Note! Product picture may differ from actual product</p> <p data-bbox="199 537 462 566">Product No.: 96875101</p> <p data-bbox="199 593 1284 622">GRUNDFOS EF AUTOADAPT pump is a portable pump for both domestic and industrial applications.</p> <p data-bbox="199 656 1284 685">The pump has a single-vane, semi-open impeller for 30 mm free passage and is suitable for pumping</p> <ul data-bbox="199 689 1284 806" style="list-style-type: none"> • drainage and surface water with small impurities • wastewater with fibres, e.g. from laundries • wastewater without discharge from toilets • wastewater from commercial buildings without discharge from toilets. <p data-bbox="199 835 1197 864">The compact design makes the pump suitable for both temporary and permanent installation.</p> <p data-bbox="199 925 1037 954">The pump has an intermediate oil chamber pre-filled with non-toxic special oil.</p> <p data-bbox="199 983 1380 1037">The pump is fitted with a cable plug for easy dismantling. This plug is hermetically sealed with polyurethane to prevent water from penetrating through the cable into the motor.</p> <p data-bbox="199 1070 1396 1124">A clamp between pump housing and motor ensures easy and safe dismantling and assembly. Inspection can be done in the field without any special tools.</p> <p data-bbox="199 1158 1460 1211">The pump is fitted with a double shaft seal in the unique cartridge design. This makes it easy to replace the shaft seal very quickly in the field without any special tools. It also eliminates the risk of faulty installation.</p> <p data-bbox="199 1245 1189 1274">The motor is insulation class F and has long-life, deep-groove, greased-for-life ball bearings.</p> <p data-bbox="199 1305 1412 1335">The pump has R 2 discharge port and is ready for installation either free-standing or on an auto-coupling system.</p> <p data-bbox="199 1366 1444 1420">The Grundfos EF AUTOADAPT pumps incorporate a controller, sensors and motor-protection. They only need to be connected to the mains supply.</p> <p data-bbox="199 1424 1444 1478">If several pumps are installed in the same tank, the control logic incorporated in the pump will ensure that the load is distributed evenly among the pumps over time.</p> <ul data-bbox="199 1482 422 1512" style="list-style-type: none"> • Alarm relay output. <p data-bbox="199 1516 1189 1570">The pump incorporates an alarm relay output. NC and NO are available and can be used as required, for example for acoustic or visual alarms.</p> <ul data-bbox="199 1574 813 1659" style="list-style-type: none"> • Random start delay in case of general power shutdown. • Self-calibration after each pump cycle. • Anti-seizing system. <p data-bbox="199 1664 1460 1718">The anti-seizing system start the pump at programmed intervals to prevent the impeller from seizing up. This function will overwrite the dry-run sensor for non EX versions.</p> <ul data-bbox="199 1722 598 1751" style="list-style-type: none"> • After-run possibility (foam draining) <p data-bbox="199 1756 925 1785">After-run is possible in programmed intervals if risk of floating layer.</p> <p data-bbox="199 1816 1428 1870">The Grundfos CIU unit can be connected permanent or temporarily for changing the pre-setting, further settings or read out from the logging and operation parameters like no. of starts and operating hours.</p> <p data-bbox="199 1901 1428 1973">Another innovative patent in our AUTOADAPT pumps is a new way of controlling the motor current during start up. The result of this bring us a much higher starting torque for the 1-phase motors than a conventional motor starter using start capacitor.</p> <p data-bbox="199 2013 295 2042">Controls:</p> <table data-bbox="199 2047 853 2101" style="width: 100%;"> <tr> <td style="width: 50%;">Moisture sensor:</td> <td>without moisture sensors</td> </tr> <tr> <td>Water-in-oil sensor:</td> <td>without water-in-oil sensor</td> </tr> </table>	Moisture sensor:	without moisture sensors	Water-in-oil sensor:	without water-in-oil sensor
Moisture sensor:	without moisture sensors				
Water-in-oil sensor:	without water-in-oil sensor				

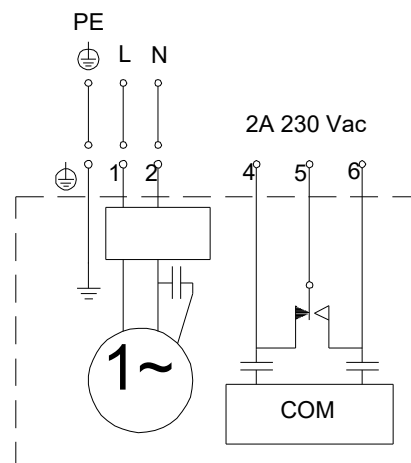
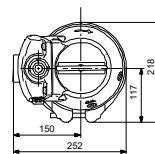
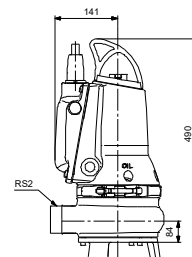
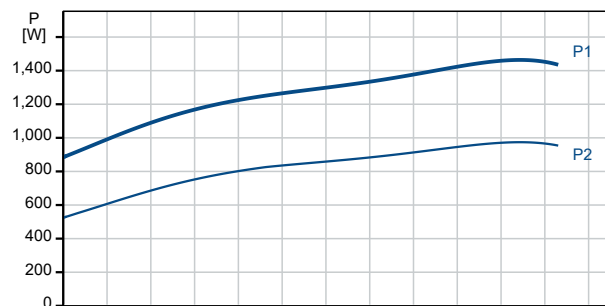
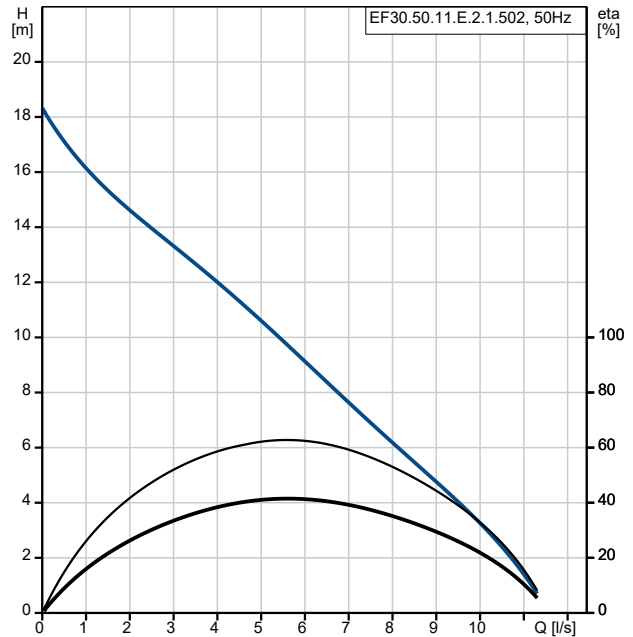
Qty.	Description
1	AUTOADAPT with/without (Yes/No): YES
	Liquid:
	Liquid temperature range: 0 .. 40 °C
	Density: 998.2 kg/m ³
	Technical:
	Max flow: 12 l/s
	Type of impeller: SEMI OPEN
	Maximum particle size: 30 mm
	Primary shaft seal: SIC/SIC
	Max. hydraulic efficiency: 62 %
	Curve tolerance: ISO9906:2012 3B2
	Materials:
	Pump housing: Cast iron EN-JL-1030
	Impeller: Cast iron EN-GJS-500-7
	Installation:
	t max amb: 40 °C
	Maximum operating pressure: 6 bar
	Pump outlet: R 2
	Maximum installation depth: 10 m
	Auto-coupling: Y
	Electrical data:
	Power input - P1: 1.6 kW
	Rated power - P2: 1.1 kW
	Mains frequency: 50 Hz
	Rated voltage: 1 x 230 V
	Voltage tolerance: +6/-10 %
	Max starts per. hour: 30
	Rated current: 7.4 A
	Rated current at 3/4 load: 5.8 A
	Rated current at 1/2 load: 4.5 A
	Starting current: 38 A
	Rated current at no load: 2.6 A
	Cos phi - power factor: 0.97
	Cos phi - p.f. at 3/4 load: 0.96
	Cos phi - p.f. at 1/2 load: 0.89
	Rated speed: 2830 rpm
	Locked-rotor torque: 6.5 Nm
	Breakdown torque: 7 Nm
	Moment of inertia: 0.0037 kg m ²
	Motor efficiency at full load: 67 %
	Motor efficiency at 3/4 load: 66 %
	Motor efficiency at 1/2 load: 60 %
	Capacitor size - run: 20 µF
	Number of poles: 2
	Start. method: direct-on-line
	Enclosure class (IEC 34-5): IP68
	Insulation class (IEC 85): F
	Explosion proof: no
	Length of cable: 10 m
	Cable type: 07RN8-F
	Type of cable plug: No plug
	Others:
	Net weight: 38 kg
	Danish VVS No.: 391292652
	Swedish RSK No.: 5885970
	Finnish LVI No.: 4822609
	Country of origin: HU

Qty.	Description
1	Custom tariff no.: 84137021

96875101 EF30.50.11.E.2.1.502 50 Hz

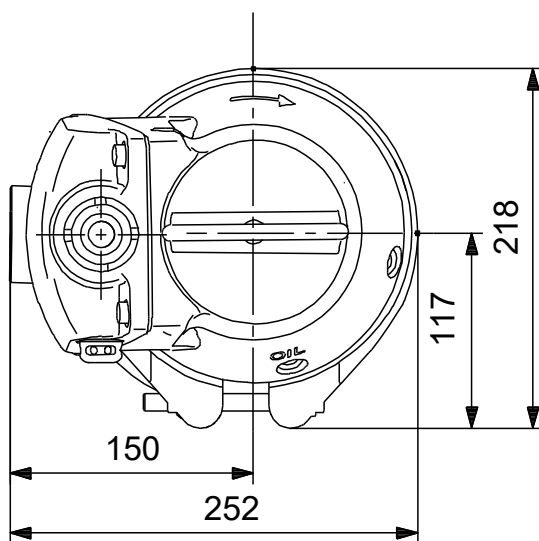
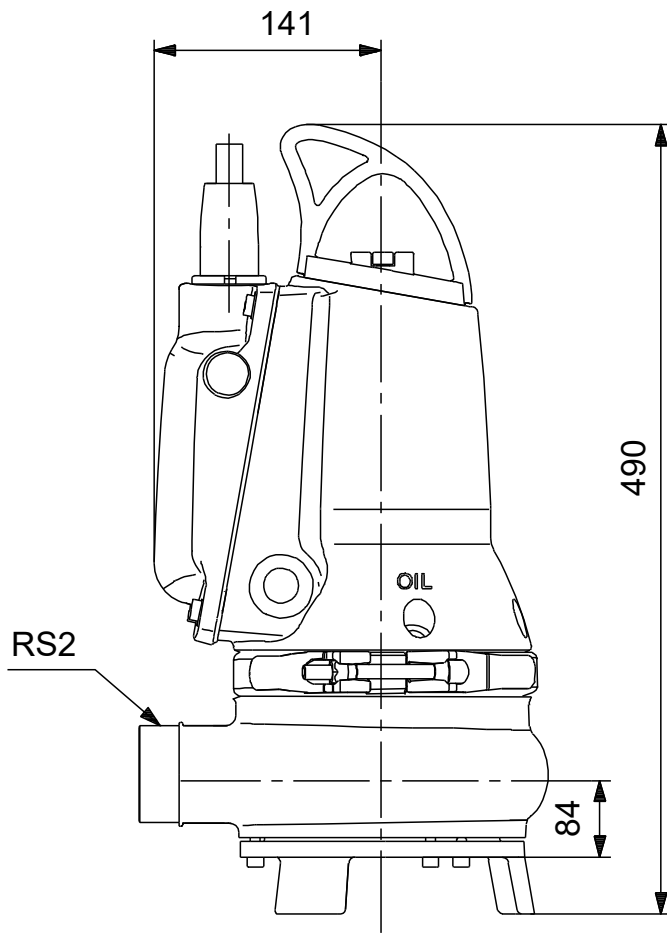


Description	Value
General information:	
Product name:	EF30.50.11.E.2.1.502
Product No:	96875101
EAN number:	5700312490814
Technical:	
Max flow:	12 l/s
Head max:	19.3 m
Type of impeller:	SEMI OPEN
Maximum particle size:	30 mm
Primary shaft seal:	SIC/SIC
Max. hydraulic efficiency:	62 %
Curve tolerance:	ISO9906:2012 3B2
Materials:	
Pump housing:	Cast iron
Pump housing:	EN-JL-1030
Impeller:	Cast iron
Impeller:	EN-GJS-500-7
Installation:	
t max amb:	40 °C
Maximum operating pressure:	6 bar
Pump outlet:	R 2
Maximum installation depth:	10 m
Inst dry/wet:	S
Installation:	vertical
Auto-coupling:	Y
Liquid:	
Liquid temperature range:	0 .. 40 °C
Density:	998.2 kg/m ³
Electrical data:	
Power input - P1:	1.6 kW
Rated power - P2:	1.1 kW
Mains frequency:	50 Hz
Rated voltage:	1 x 230 V
Voltage tolerance:	+6/-10 %
Max starts per. hour:	30
Rated current:	7.4 A
Rated current at 3/4 load:	5.8 A
Rated current at 1/2 load:	4.5 A
Starting current:	38 A
Rated current at no load:	2.6 A
Cos phi - power factor:	0.97
Cos phi - p.f. at 3/4 load:	0.96
Cos phi - p.f. at 1/2 load:	0.89
Rated speed:	2830 rpm
Locked-rotor torque:	6.5 Nm
Breakdown torque:	7 Nm
Moment of inertia:	0.0037 kg m ²
Motor efficiency at full load:	67 %
Motor efficiency at 3/4 load:	66 %
Motor efficiency at 1/2 load:	60 %
Capacitor size - run:	20 µF
Number of poles:	2
Start. method:	direct-on-line
Enclosure class (IEC 34-5):	IP68
Insulation class (IEC 85):	F
Explosion proof:	no
Built-in motor protection:	THERMAL SWITCH
Length of cable:	10 m
Cable type:	07RN8-F
Type of cable plug:	No plug
Controls:	
Control box:	not included
Additional I/O:	Build in
Moisture sensor:	without moisture sensors



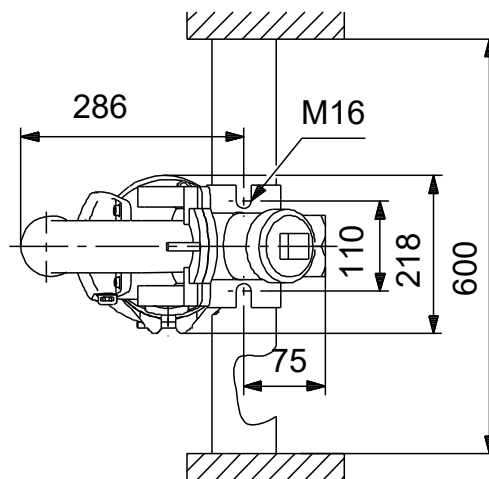
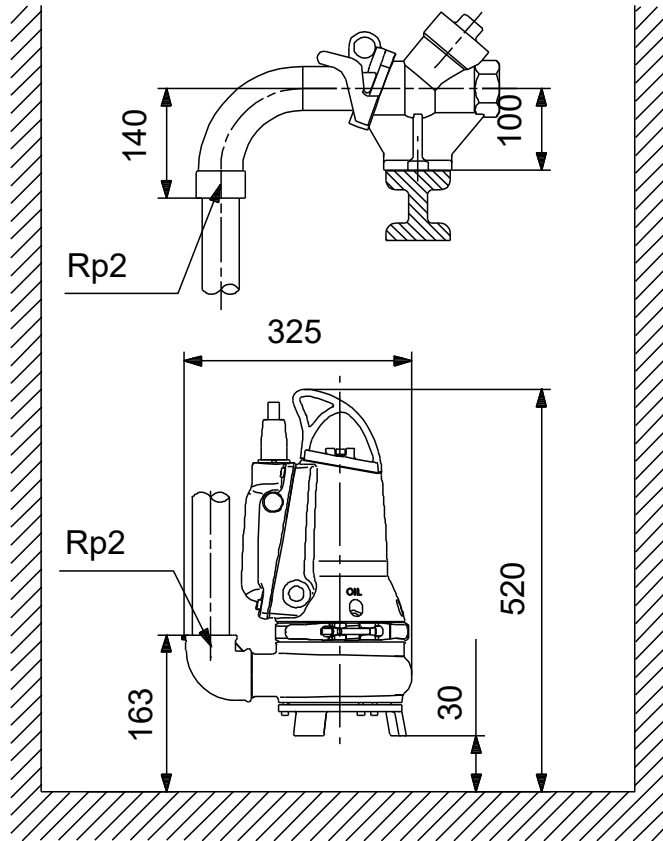
Description	Value
Water-in-oil sensor:	without water-in-oil sensor
AUTOADAPT with/without (Yes/No):	YES
Others:	
Net weight:	38 kg
Danish VVS No.:	391292652
Swedish RSK No.:	5885970
Finnish LVI No.:	4822609
Country of origin:	HU
Custom tariff no.:	84137021

96875101 EF30.50.11.E.2.1.502 50 Hz



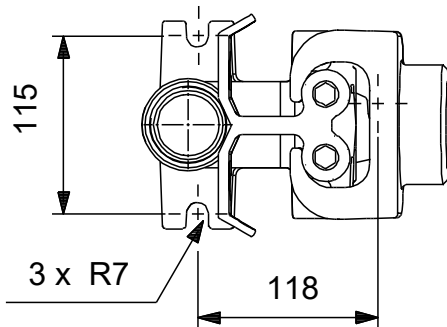
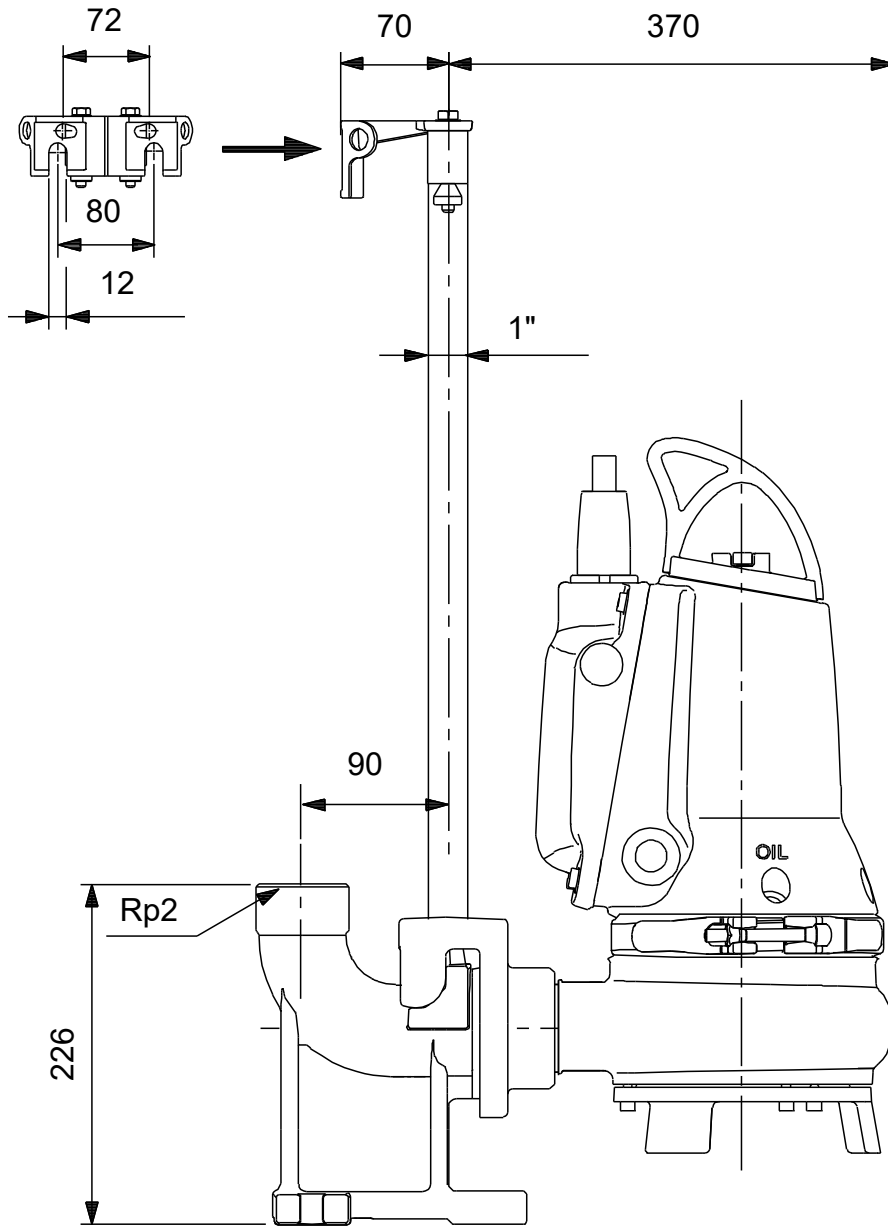
Note! All units are in [mm] unless others are stated.
Disclaimer: This simplified dimensional drawing does not show all details.

96875101 EF30.50.11.E.2.1.502 50 Hz

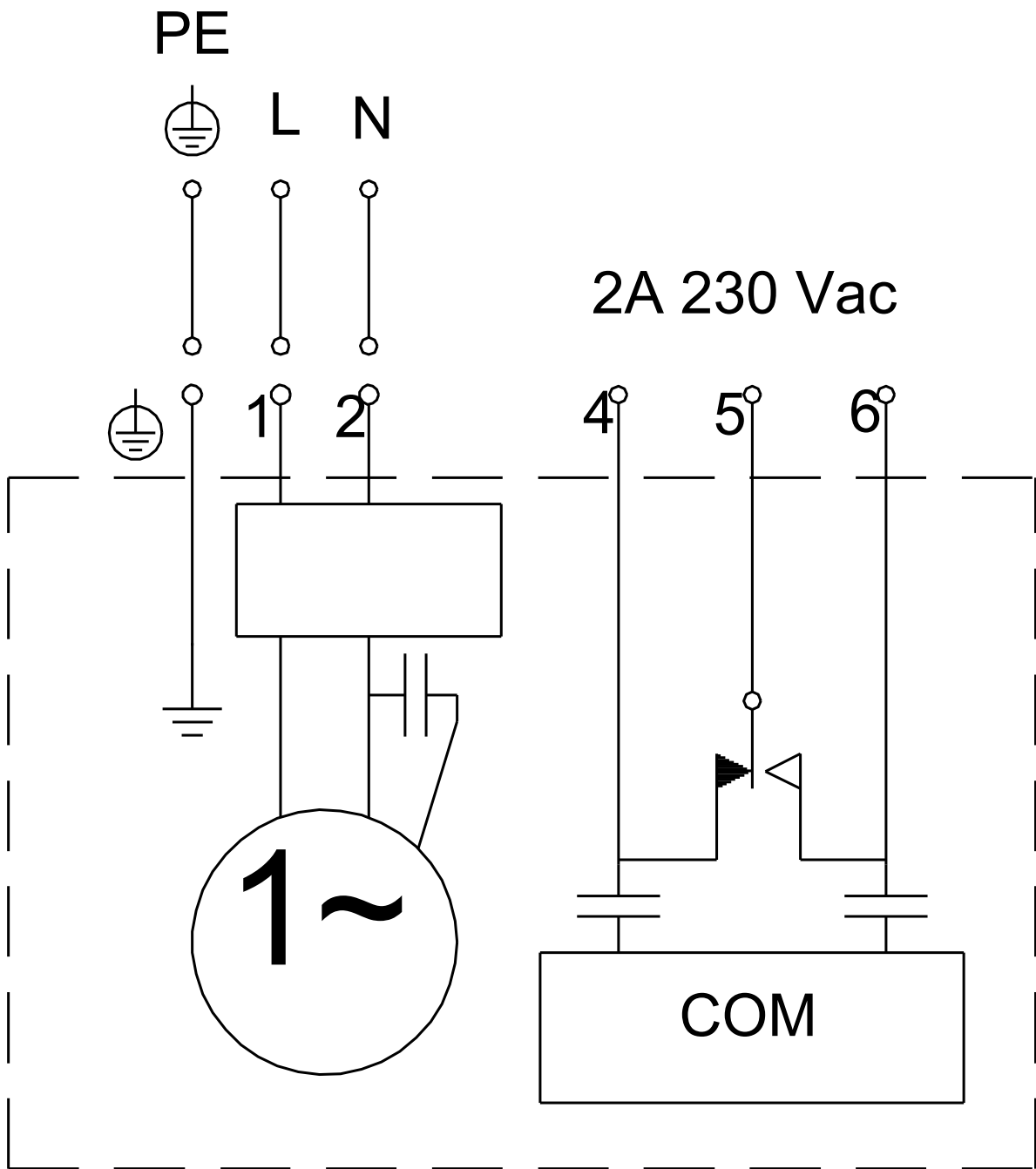


Note! All units are in [mm] unless others are stated.
Disclaimer: This simplified dimensional drawing does not show all details.

96875101 EF30.50.11.E.2.1.502 50 Hz



Note! All units are in [mm] unless others are stated.
Disclaimer: This simplified dimensional drawing does not show all details.



Note! All units are in [mm] unless others are stated.

Order Data:

Position	Your pos.	Product name	Amount	Product No	Total
		EF30.50.11.E.2.1.502	1	96875101	Price on request