
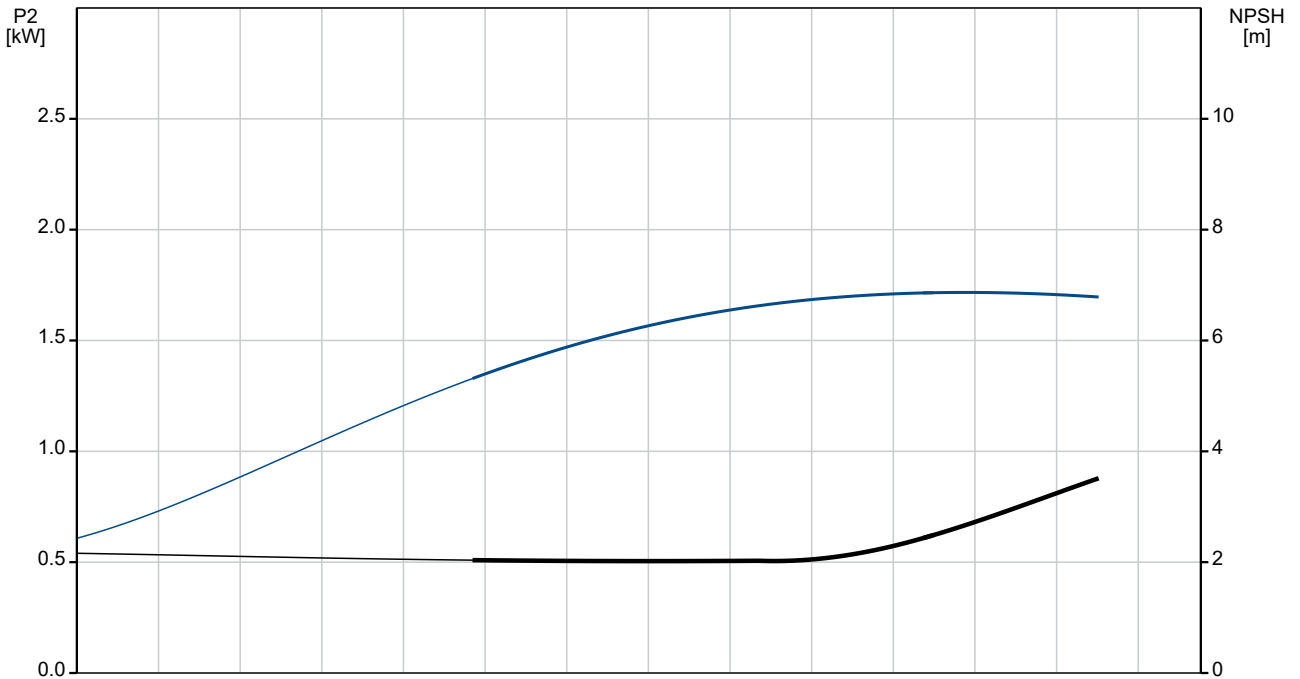
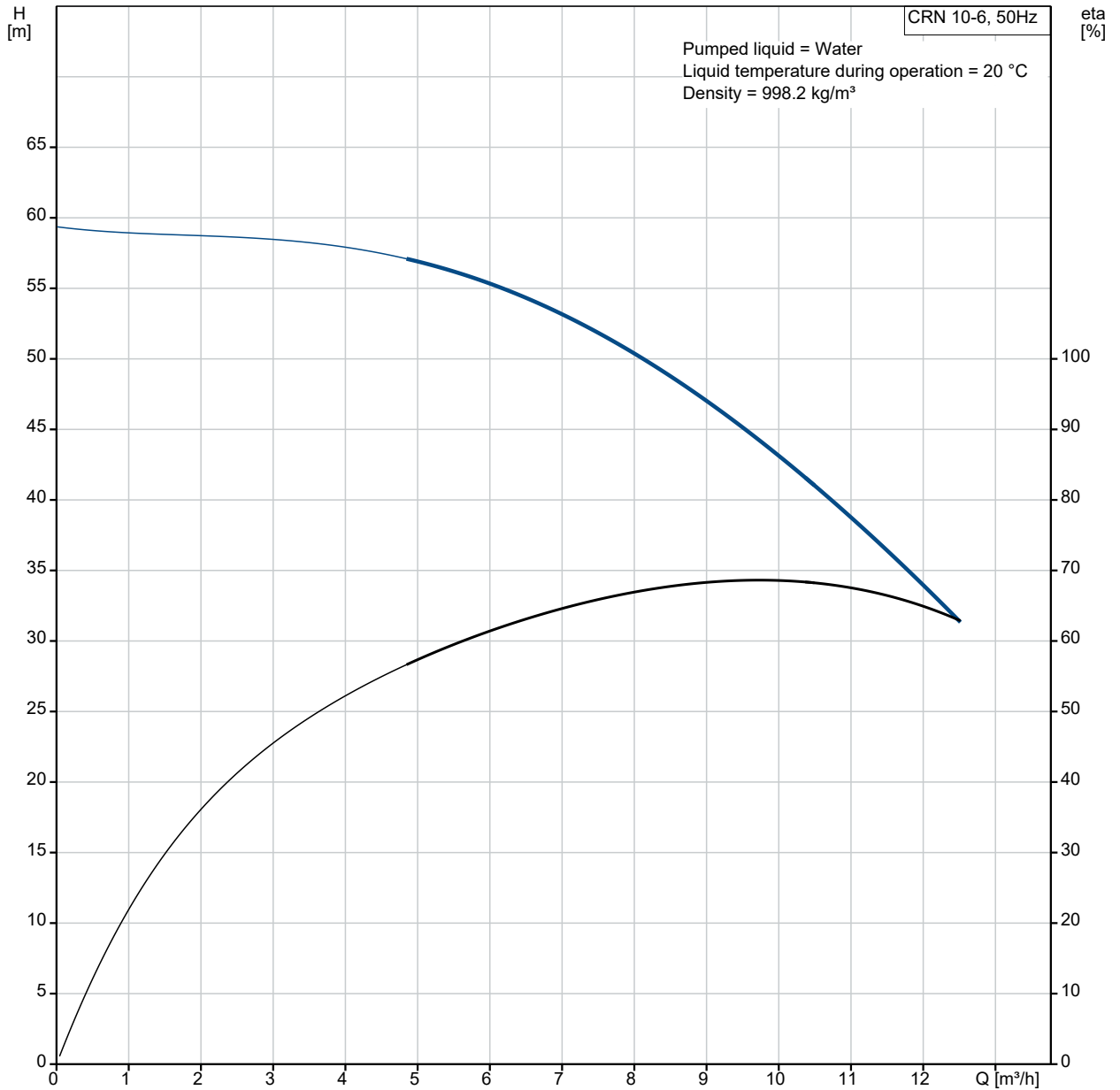


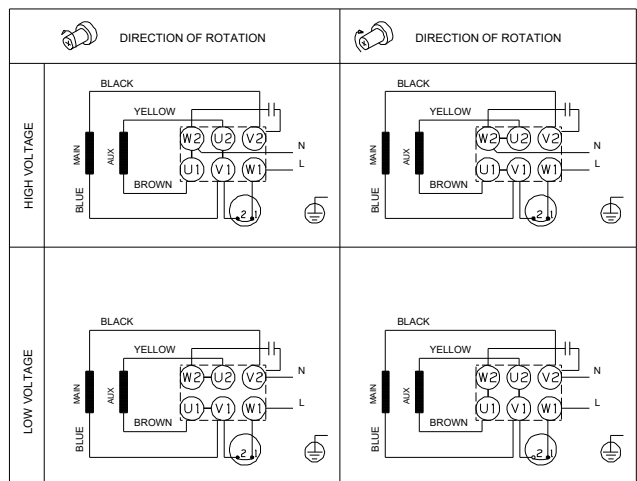
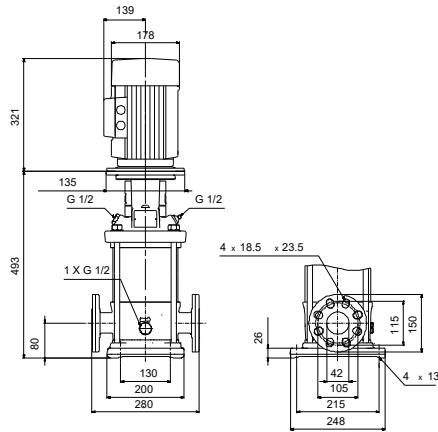
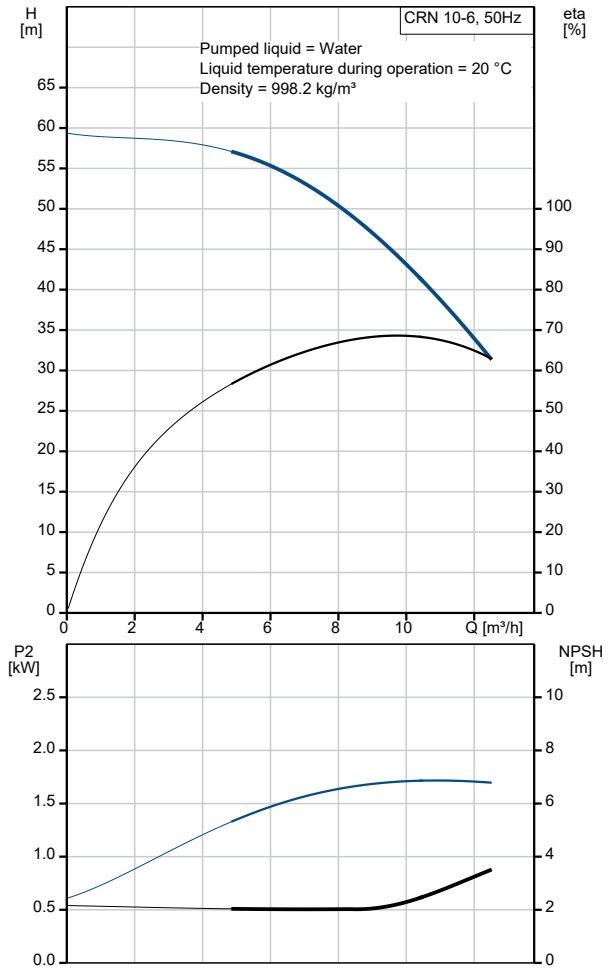
Qty.	Description
1	CRN 10-6 A-FGJ-H-E-HQQE
	
	<p align="center">Note! Product picture may differ from actual product</p>
	<p>Product No.: On request</p>
	<p>Vertical, multistage centrifugal pump with inlet and outlet ports on same the level (inline). Pump materials in contact with the liquid are in high-grade stainless steel. A cartridge shaft seal ensures high reliability, safe handling, and easy access and service. Power transmission is via a rigid split coupling. Pipe connection is via combined DIN-ANSI-JIS flanges.</p>
	<p>The pump is fitted with a 1-phase, fan-cooled asynchronous motor.</p>
	<p>Liquid: Pumped liquid: Water Liquid temperature range: -20 .. 120 °C Selected liquid temperature: 20 °C Density: 998.2 kg/m³</p>
	<p>Technical: Pump speed on which pump data are based: 2730 rpm Rated flow: 10 m³/h Rated head: 42.9 m Pump orientation: Vertical Shaft seal arrangement: Single Code for shaft seal: HQQE Approvals: CE,EAC,UKCA,SEPRO Approvals for drinking water: WRAS,ACS Curve tolerance: ISO9906:2012 3B</p>
	<p>Materials: Base: Stainless steel EN 1.4408 AISI 316 Impeller: Stainless steel EN 1.4401 AISI 316 Bearing: SIC</p>
	<p>Installation: t max amb: 40 °C Maximum operating pressure: 25 bar Max pressure at stated temp: 25 bar / 120 °C 25 bar / -20 °C Type of connection: DIN / ANSI / JIS Size of inlet connection: DN 40 Size of outlet connection: DN 40 Pressure rating for connection: PN 25 Flange rating inlet: 300 lb Flange size for motor: FT115</p>
	<p>Electrical data: Motor standard: IEC Motor type: 90LC Rated power - P2: 2.2 kW Power (P2) required by pump: 2.2 kW Mains frequency: 50 Hz Rated voltage: 1 x 220-230/240 V</p>

Qty.	Description																																				
1	<table> <tr> <td>Rated current:</td> <td>14,0-13,6/12,6 A</td> </tr> <tr> <td>Starting current:</td> <td>330 %</td> </tr> <tr> <td>Cos phi - power factor:</td> <td>1.00</td> </tr> <tr> <td>Rated speed:</td> <td>2730/2720 rpm</td> </tr> <tr> <td>Motor efficiency at full load:</td> <td>75 %</td> </tr> <tr> <td>Number of poles:</td> <td>2</td> </tr> <tr> <td>Enclosure class (IEC 34-5):</td> <td>55 Dust/Jetting</td> </tr> <tr> <td>Insulation class (IEC 85):</td> <td>F</td> </tr> <tr> <td>Motor No:</td> <td>85215708</td> </tr> <tr> <td colspan="2">Controls:</td> </tr> <tr> <td>Frequency converter:</td> <td>NONE</td> </tr> <tr> <td colspan="2">Others:</td> </tr> <tr> <td>Minimum efficiency index, MEI ≥:</td> <td>0.70</td> </tr> <tr> <td>Net weight:</td> <td>53 kg</td> </tr> <tr> <td>Gross weight:</td> <td>57 kg</td> </tr> <tr> <td>Shipping volume:</td> <td>0.104 m³</td> </tr> <tr> <td>Country of origin:</td> <td>GB</td> </tr> <tr> <td>Custom tariff no.:</td> <td>84137075</td> </tr> </table>	Rated current:	14,0-13,6/12,6 A	Starting current:	330 %	Cos phi - power factor:	1.00	Rated speed:	2730/2720 rpm	Motor efficiency at full load:	75 %	Number of poles:	2	Enclosure class (IEC 34-5):	55 Dust/Jetting	Insulation class (IEC 85):	F	Motor No:	85215708	Controls:		Frequency converter:	NONE	Others:		Minimum efficiency index, MEI ≥:	0.70	Net weight:	53 kg	Gross weight:	57 kg	Shipping volume:	0.104 m ³	Country of origin:	GB	Custom tariff no.:	84137075
Rated current:	14,0-13,6/12,6 A																																				
Starting current:	330 %																																				
Cos phi - power factor:	1.00																																				
Rated speed:	2730/2720 rpm																																				
Motor efficiency at full load:	75 %																																				
Number of poles:	2																																				
Enclosure class (IEC 34-5):	55 Dust/Jetting																																				
Insulation class (IEC 85):	F																																				
Motor No:	85215708																																				
Controls:																																					
Frequency converter:	NONE																																				
Others:																																					
Minimum efficiency index, MEI ≥:	0.70																																				
Net weight:	53 kg																																				
Gross weight:	57 kg																																				
Shipping volume:	0.104 m ³																																				
Country of origin:	GB																																				
Custom tariff no.:	84137075																																				

On request CRN 10-6 A-FGJ-H-E-HQQE 50 Hz

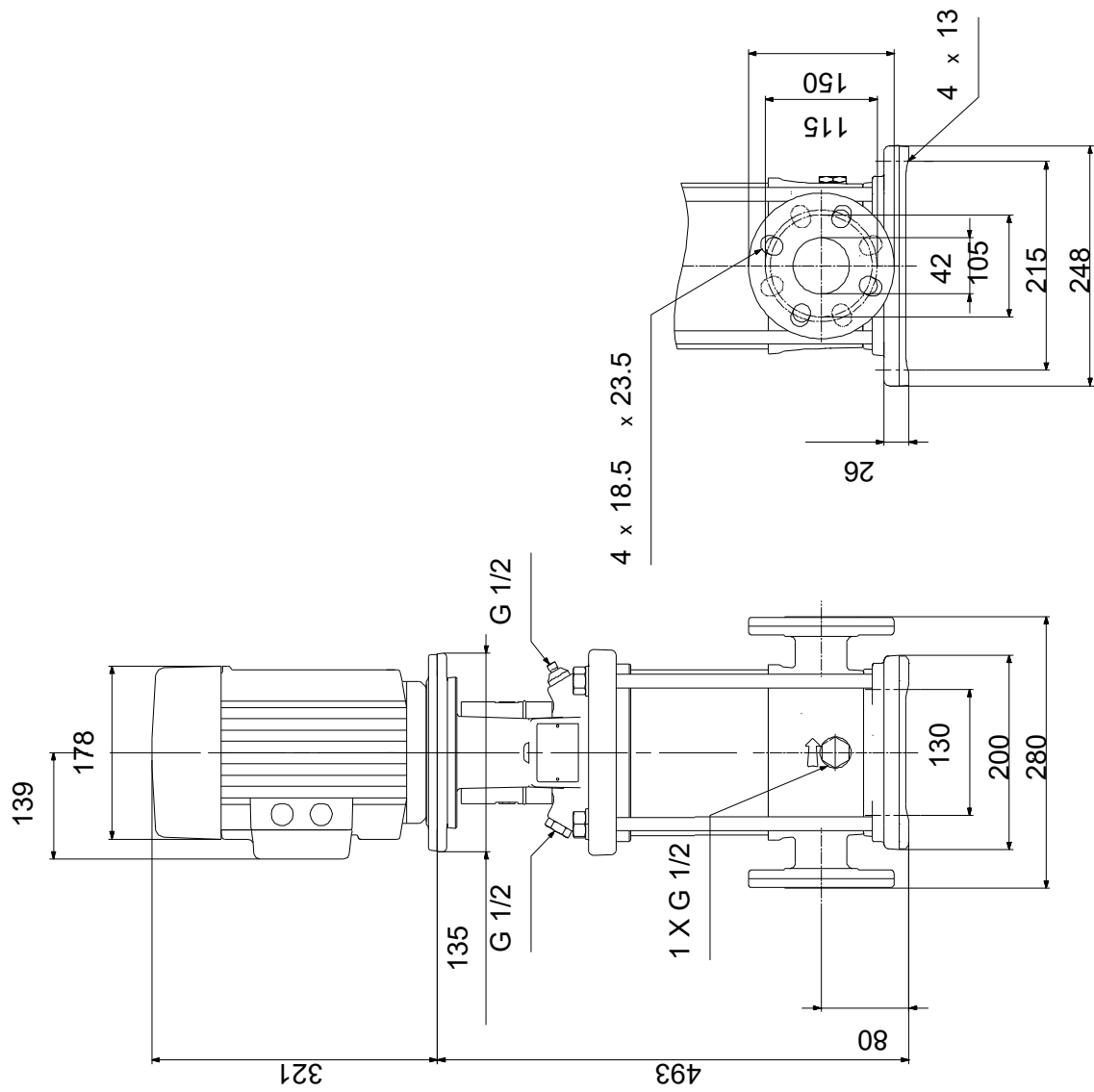


Description	Value
General information:	
Product name:	CRN 10-6 A-FGJ-H-E-HQQE
Product No:	On request
EAN number:	On request
Technical:	
Pump speed on which pump data are based:	2730 rpm
Rated flow:	10 m ³ /h
Rated head:	42.9 m
Maximum head:	59.5 m
Stages:	6
Impellers:	6
Number of reduced-diameter impellers:	0
Low NPSH:	N
Pump orientation:	Vertical
Shaft seal arrangement:	Single
Code for shaft seal:	HQQE
Approvals:	CE,EAC,UKCA,SEPRO
Approvals for drinking water:	WRAS,ACS
Curve tolerance:	ISO9906:2012 3B
Pump version:	A
Model:	A
Materials:	
Base:	Stainless steel
Base:	EN 1.4408
Base:	AISI 316
Impeller:	Stainless steel
Impeller:	EN 1.4401
Impeller:	AISI 316
Material code:	H
Code for rubber:	E
Bearing:	SIC
Installation:	
t max amb:	40 °C
Maximum operating pressure:	25 bar
Max pressure at stated temp:	25 bar / 120 °C
Max pressure at stated temp:	25 bar / -20 °C
Type of connection:	DIN / ANSI / JIS
Size of inlet connection:	DN 40
Size of outlet connection:	DN 40
Pressure rating for connection:	PN 25
Flange rating inlet:	300 lb
Flange size for motor:	FT115
Connect code:	FGJ
Liquid:	
Pumped liquid:	Water
Liquid temperature range:	-20 .. 120 °C
Selected liquid temperature:	20 °C
Density:	998.2 kg/m ³
Electrical data:	
Motor standard:	IEC
Motor type:	90LC
Rated power - P2:	2.2 kW
Power (P2) required by pump:	2.2 kW
Mains frequency:	50 Hz
Rated voltage:	1 x 220-230/240 V
Rated current:	14,0-13,6/12,6 A
Starting current:	330 %
Cos phi - power factor:	1.00
Rated speed:	2730/2720 rpm
Motor efficiency at full load:	75 %
Number of poles:	2
Enclosure class (IEC 34-5):	55 Dust/Jetting




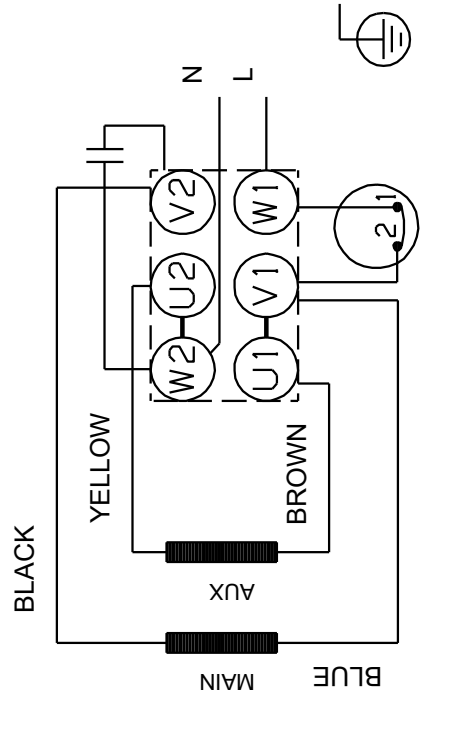

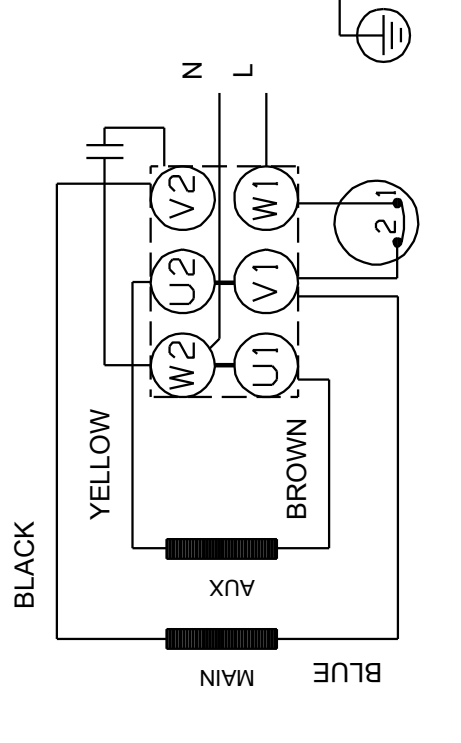
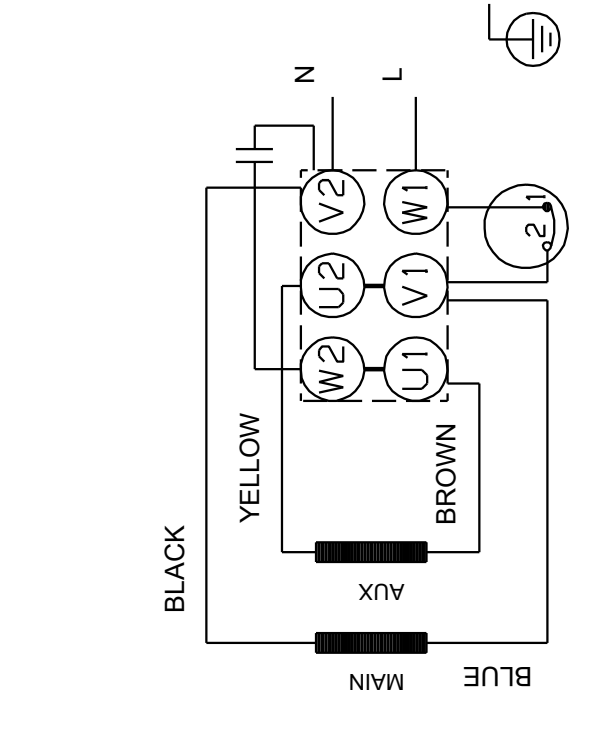
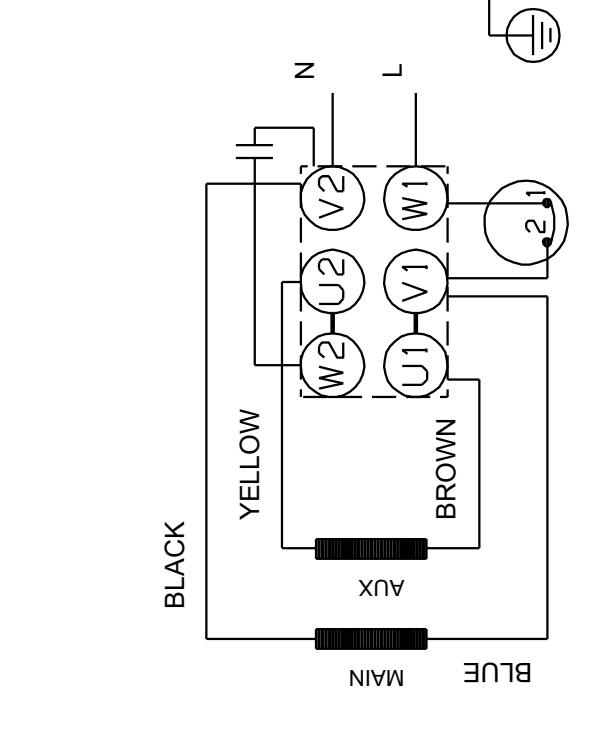
Description	Value
Insulation class (IEC 85):	F
Built-in motor protection:	PTO
Motor No:	85215708
Controls:	
Frequency converter:	NONE
Others:	
Minimum efficiency index, MEI ≥:	0.70
Net weight:	53 kg
Gross weight:	57 kg
Shipping volume:	0.104 m ³
Sales region:	Great Britain
Country of origin:	GB
Custom tariff no.:	84137075

On request CRN 10-6 A-FGJ-H-E-HQQE 50 Hz



Note! All units are in [mm] unless others are stated.
Disclaimer: This simplified dimensional drawing does not show all details.

On request CRN 10-6 A-FGJ-H-E-HQQE 50 Hz

<p style="text-align: center;">DIRECTION OF ROTATION</p> 	
<p style="text-align: center;">DIRECTION OF ROTATION</p> 	<p style="text-align: center;">HIGH VOLTAGE</p> 
	<p style="text-align: center;">LOW VOLTAGE</p> 

Note! All units are in [mm] unless others are stated.

