
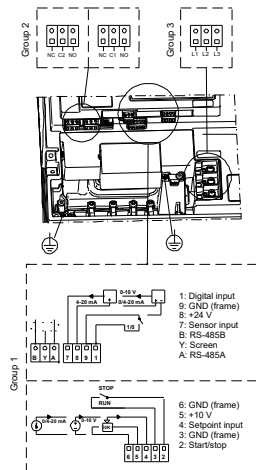
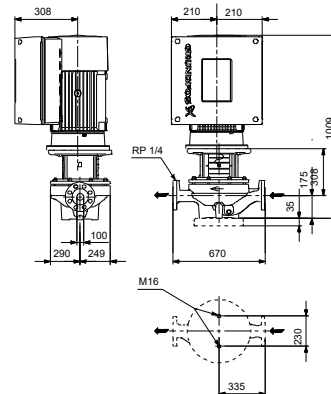
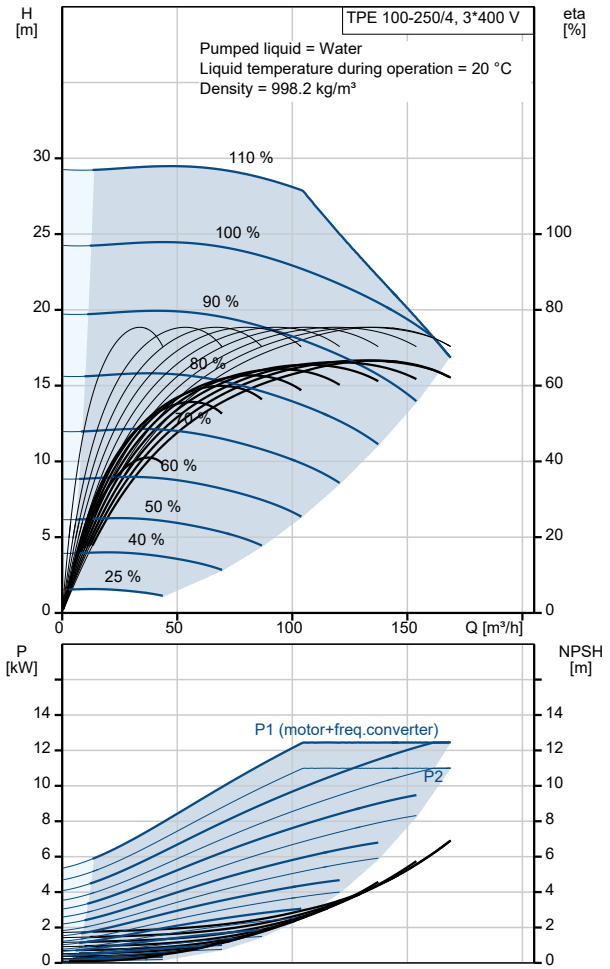


Qty.	Description
1	<p data-bbox="199 159 598 190">TPE 100-250/4 S-A-F-A-BQQE-NX3</p> <div data-bbox="300 208 491 528" style="text-align: center;">  </div> <p data-bbox="592 506 1062 533" style="text-align: center;">Note! Product picture may differ from actual product</p> <p data-bbox="199 539 478 566">Product No.: On request</p> <p data-bbox="199 600 1295 627">Single-stage, close-coupled, volute pump with in-line suction and discharge ports of identical diameter.</p> <p data-bbox="199 629 1401 678">The pump is of the top-pull-out design, i.e. the power head (motor, pump head and impeller) can be removed for maintenance or service while the pump housing remains in the pipework.</p> <p data-bbox="199 687 831 714">The pump is fitted with an unbalanced rubber bellows seal.</p> <p data-bbox="199 716 1458 743">The shaft seal is according to EN 12756. Pipework connection is via PN 16 DIN flanges (EN 1092-2 and ISO 7005-2).</p> <p data-bbox="199 777 815 804">The pump is fitted with a fan-cooled asynchronous motor.</p> <p data-bbox="199 806 1398 855">The motor includes a frequency converter and PI controller in the motor terminal box. This enables continuously variable control of the motor speed, which again enables adaptation of the performance to a given requirement.</p> <p data-bbox="199 864 769 891">The pump is fitted with a differential pressure sensor.</p> <p data-bbox="199 925 300 952">Controls:</p> <p data-bbox="199 954 639 981">Frequency converter: Built-in</p> <p data-bbox="199 1014 272 1041">Liquid:</p> <p data-bbox="199 1043 632 1070">Pumped liquid: Water</p> <p data-bbox="199 1072 703 1099">Liquid temperature range: -25 .. 120 °C</p> <p data-bbox="199 1102 628 1128">Selected liquid temperature: 20 °C</p> <p data-bbox="199 1131 695 1158">Density: 998.2 kg/m³</p> <p data-bbox="199 1191 312 1218">Technical:</p> <p data-bbox="199 1220 820 1247">Pump speed on which pump data are based: 1460 rpm</p> <p data-bbox="199 1249 663 1276">Rated flow: 131 m³/h</p> <p data-bbox="199 1279 639 1305">Rated head: 20.7 m</p> <p data-bbox="199 1308 655 1335">Actual impeller diameter: 270 mm</p> <p data-bbox="199 1337 636 1364">Code for shaft seal: BQQE</p> <p data-bbox="199 1366 759 1393">Curve tolerance: ISO9906:2012 3B</p> <p data-bbox="199 1426 308 1453">Materials:</p> <p data-bbox="199 1456 730 1543">Pump housing: Cast iron EN-GJL-250 ASTM class 35</p> <p data-bbox="199 1545 730 1632">Impeller: Cast iron EN-GJL-200 ASTM class 30</p> <p data-bbox="199 1666 325 1693">Installation:</p> <p data-bbox="199 1695 691 1722">Range of ambient temperature: -20 .. 40 °C</p> <p data-bbox="199 1724 636 1751">Maximum operating pressure: 16 bar</p> <p data-bbox="199 1753 730 1780">Max pressure at stated temp: 16 bar / 120 °C</p> <p data-bbox="199 1783 608 1809">Type of connection: DIN</p> <p data-bbox="199 1812 649 1839">Size of connection: DN 100</p> <p data-bbox="199 1841 636 1868">Pressure rating for connection: PN 16</p> <p data-bbox="199 1870 655 1897">Port-to-port length: 670 mm</p> <p data-bbox="199 1899 636 1926">Flange size for motor: FF300</p> <p data-bbox="199 1960 360 1986">Electrical data:</p> <p data-bbox="199 1989 644 2016">Motor type: 160MB</p> <p data-bbox="199 2018 604 2045">IE Efficiency class: IE3</p> <p data-bbox="199 2047 636 2074">Rated power - P2: 11 kW</p> <p data-bbox="199 2076 632 2103">Mains frequency: 50 Hz</p>

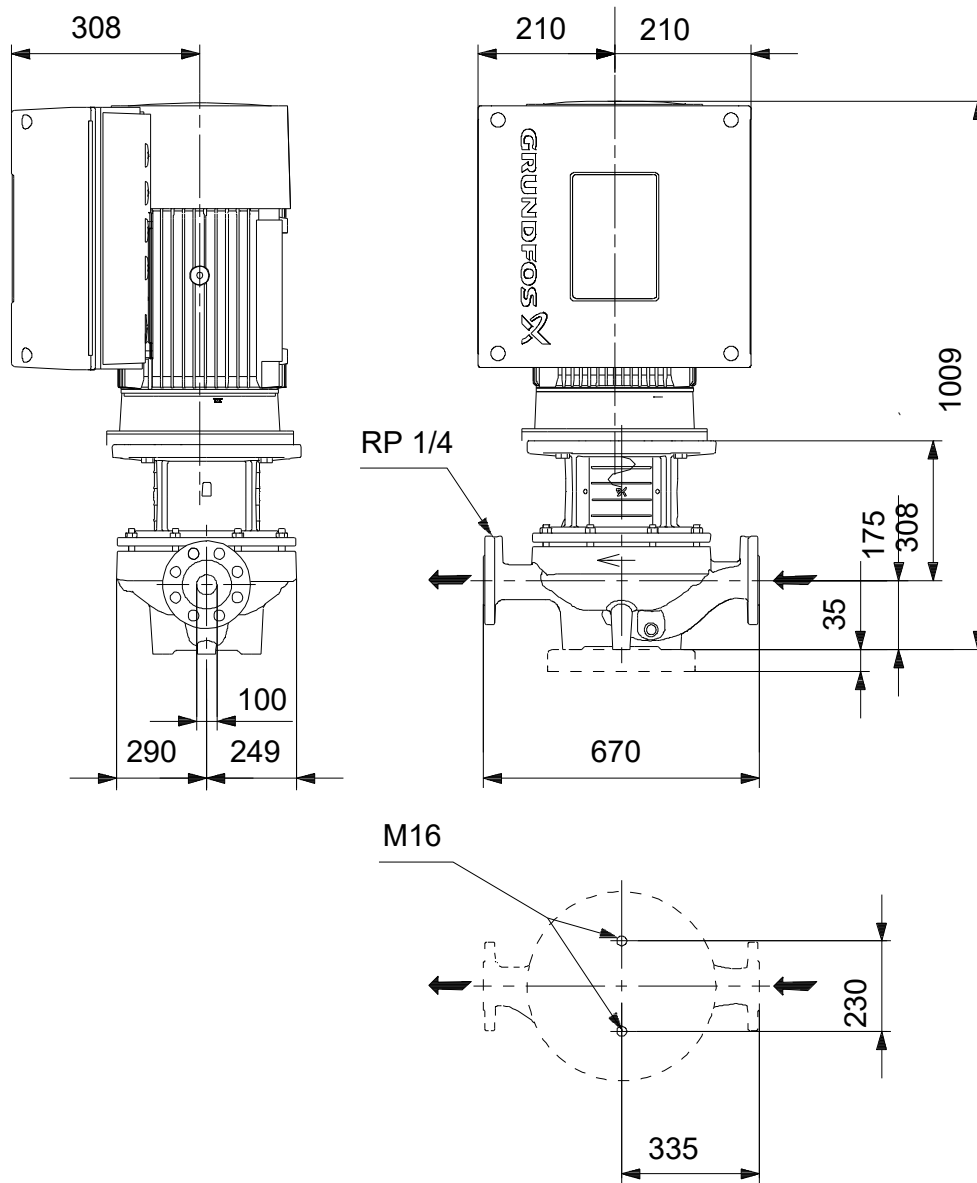
Qty.	Description
1	<p>Rated voltage: 3 x 380-480 V Rated current: 22.0-17.8 A Cos phi - power factor: 0.91-0.90 Rated speed: 240-1750 rpm Efficiency: IE3 91,4% Motor efficiency at full load: 91.4 % Number of poles: 4 Enclosure class (IEC 34-5): IP55 Insulation class (IEC 85): F Motor No: 86906160</p> <p>Others: Minimum efficiency index, MEI ≥: 0.45 Net weight: 273 kg Gross weight: 334 kg Shipping volume: 0.937 m³ Danish VVS No.: 381926250 Finnish LVI No.: 4616424 Norwegian NRF no.: 9043608 Country of origin: HU Custom tariff no.: 84137051</p>

Description	Value
General information:	
Product name:	TPE 100-250/4 S-A-F-A-BQQE-NX3
Product No:	On request
EAN number:	On request
Technical:	
Pump speed on which pump data are based:	1460 rpm
Rated flow:	131 m ³ /h
Rated head:	20.7 m
Maximum head:	250 dm
Actual impeller diameter:	270 mm
Code for shaft seal:	BQQE
Curve tolerance:	ISO9906:2012 3B
Pump version:	A
Materials:	
Pump housing:	Cast iron
Pump housing:	EN-GJL-250
Pump housing:	ASTM class 35
Impeller:	Cast iron
Impeller:	EN-GJL-200
Impeller:	ASTM class 30
Material code:	A
Installation:	
Range of ambient temperature:	-20 .. 40 °C
Maximum operating pressure:	16 bar
Max pressure at stated temp:	16 bar / 120 °C
Type of connection:	DIN
Size of connection:	DN 100
Pressure rating for connection:	PN 16
Port-to-port length:	670 mm
Flange size for motor:	FF300
Connect code:	F
Liquid:	
Pumped liquid:	Water
Liquid temperature range:	-25 .. 120 °C
Selected liquid temperature:	20 °C
Density:	998.2 kg/m ³
Electrical data:	
Motor type:	160MB
IE Efficiency class:	IE3
Rated power - P2:	11 kW
Mains frequency:	50 Hz
Rated voltage:	3 x 380-480 V
Rated current:	22.0-17.8 A
Cos phi - power factor:	0.91-0.90
Rated speed:	240-1750 rpm
Efficiency:	IE3 91,4%
Motor efficiency at full load:	91.4 %
Number of poles:	4
Enclosure class (IEC 34-5):	IP55
Insulation class (IEC 85):	F
Built-in motor protection:	YES
Motor No:	86906160
Controls:	
Control panel:	BS
Function Module:	PUMP I/O
Frequency converter:	Built-in
Others:	
Minimum efficiency index, MEI ≥:	0.45
Net weight:	273 kg
Gross weight:	334 kg
Shipping volume:	0.937 m ³
Config. file no:	95139440



Description	Value
Danish VVS No.:	381926250
Finnish LVI No.:	4616424
Norwegian NRF no.:	9043608
Country of origin:	HU
Custom tariff no.:	84137051

On request TPE 100-250/4 S-A-F-A-BQQE-NX3 50 Hz



Note! All units are in [mm] unless others are stated.
Disclaimer: This simplified dimensional drawing does not show all details.

