
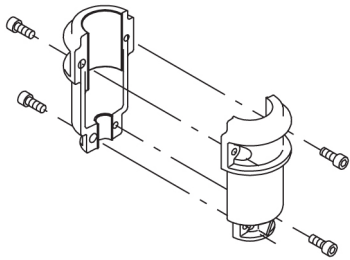


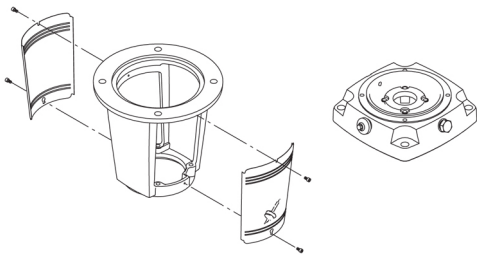
Qty.	Description
1	<p data-bbox="201 159 507 188"><b>CRE 45-4-2 A-F-A-E-HQQE</b></p>  <p data-bbox="592 506 1062 528"><b>Note! Product picture may differ from actual product</b></p> <p data-bbox="201 539 464 562">Product No.: <a href="#">96123407</a></p> <p data-bbox="201 600 1430 696">Vertical, multistage centrifugal pump with inlet and outlet ports on same the level (inline). The pump head and base are in cast iron – all other wetted parts are in stainless steel. A cartridge shaft seal ensures high reliability, safe handling, and easy access and service. Power transmission is via a rigid split coupling. Pipe connection is via DIN flanges.</p> <p data-bbox="201 741 916 763">The pump is fitted with a 3-phase, fan-cooled asynchronous motor.</p> <p data-bbox="201 772 1394 819">The motor includes a frequency converter and PI controller in the motor terminal box. This enables continuously variable control of the motor speed, which again enables adaptation of the performance to a given requirement.</p> <p data-bbox="201 828 1449 875">An operating panel on the motor terminal box enables setting of required setpoint as well as setting of pump to "Min." or "Max." operation or to "Stop". The operating panel has indicator lights for "Operation" and "Fault".</p> <p data-bbox="201 884 1422 958">Communication with the pump is possible by means of Grundfos GO Remote (accessory). The remote control enables further settings as well as reading out of a number of parameters such as "Actual value", "Speed", "Power input" and total "Power consumption".</p> <p data-bbox="201 972 794 994">The terminal box holds terminals for these connections:</p> <ul data-bbox="240 1003 1369 1323" style="list-style-type: none"> <li>• pump start/stop input (potential-free contact)</li> <li>• remote setpoint setting via analog signal, 0-10 V, 0(4)-20 mA</li> <li>• 10 V voltage supply for setpoint potentiometer, I<sub>max</sub> = 5 mA</li> <li>• three analog sensor inputs, 0-10 V, 0(4)-20 mA</li> <li>• 24 V voltage supply for sensor, I<sub>max</sub> = 40 mA</li> <li>• one analog output</li> <li>• three digital inputs</li> <li>• two Pt100 inputs</li> <li>• two potential-free fault signal relays with changeover contact, reporting "Fault", "Operation" or "Ready"</li> <li>• RS-485 GENIbus connection</li> <li>• interface for Grundfos CIM fieldbus module.</li> </ul> <p data-bbox="201 1357 512 1386"><b>Further product details</b></p> <p data-bbox="201 1395 1449 1442">An external sensor can be connected if controlled pump operation based on for example flow, differential pressure or temperature is required.</p> <p data-bbox="201 1451 1449 1498">An operating panel on the motor terminal box enables setting of required setpoint as well as setting of pump to "Min." or "Max." operation or to "Stop". The operating panel has indicator lights for "Operation" and "Fault".</p> <p data-bbox="201 1507 1422 1581">Communication with the pump is possible by means of Grundfos GO Remote (accessory). The remote control enables further settings as well as reading out of a number of parameters such as "Actual value", "Speed", "Power input" and total "Power consumption".</p> <p data-bbox="201 1594 1394 1641">Steel, cast iron and aluminium components have an epoxy-based coating made in a cathodic electro-deposition (CED) process.</p> <p data-bbox="201 1650 1430 1697">CED is a high-quality dip-painting process where an electrical field around the products ensures deposition of paint particles as a thin, well-controlled layer on the surface.</p> <p data-bbox="201 1711 719 1733">An integral part of the process is a pretreatment.</p> <p data-bbox="201 1742 700 1765">The entire process consists of these elements:</p> <ol data-bbox="225 1774 703 1883" style="list-style-type: none"> <li>1) Alkaline-based cleaning.</li> <li>2) Zinc phosphating.</li> <li>3) Cathodic electro-deposition.</li> <li>4) Curing to a dry film thickness 18-22 my m.</li> </ol> <p data-bbox="201 1892 890 1915">The colour code for the finished product is NCS 9000/RAL 9005.</p> <p data-bbox="201 1948 280 1977"><b>Pump</b></p> <p data-bbox="201 1986 1430 2033">A long split coupling connects the pump and motor shaft. It is enclosed in the motor stool by means of two coupling guards. The long coupling makes it possible to replace the shaft seal without removing the motor from the pump.</p>

**Qty. Description**

1



The motor stool connects the pump head and motor. The pump head has a combined 1/2" priming plug and vent screw.



The pump is fitted with a balanced O-ring seal unit with a rigid torque-transmission system.

This seal type is assembled in a cartridge unit which makes replacement safe and easy.

Due to the balancing, this seal type is suitable for high-pressure applications.

The cartridge construction also protects the pump shaft from possible wear from a dynamic O-ring between pump shaft and shaft seal.

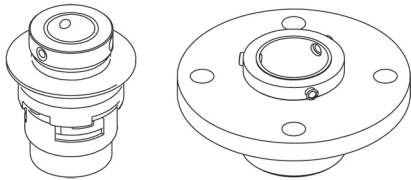
Seal faces:

- Rotating seal ring material: silicon carbide (SiC)
- Stationary seat material: silicon carbide (SiC)

This material pairing is used where higher corrosion resistance is required. The high hardness of this material pairing offers good resistance against abrasive particles.

Secondary seal material: EPDM (ethylene-propylene rubber)

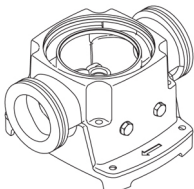
EPDM has excellent resistance to hot water. EPDM is not suitable for mineral oils.



The shaft seal is retained in the pump head by a cover and screws. It can be replaced without removing the motor.

The chambers and impellers are made of stainless-steel sheet. The chambers are provided with a PTFE neck ring offering improved sealing and high efficiency. The impellers have smooth surfaces, and the shape of the blades ensure a high efficiency.

The base is made of cast iron. Both the inlet and the outlet side of the base have two pressure gauge tappings. The pump is secured to the foundation by four bolts through the base plate. The flanges are fastened to the base by means of locking rings.



**Motor**

The motor is a totally enclosed, fan-cooled motor with principal dimensions to IEC and DIN standards. The motor is flange-mounted with free-hole flange (FF).

Motor-mounting designation in accordance with IEC 60034-7: IM B 5 (Code I) / IM 3001 (Code II).

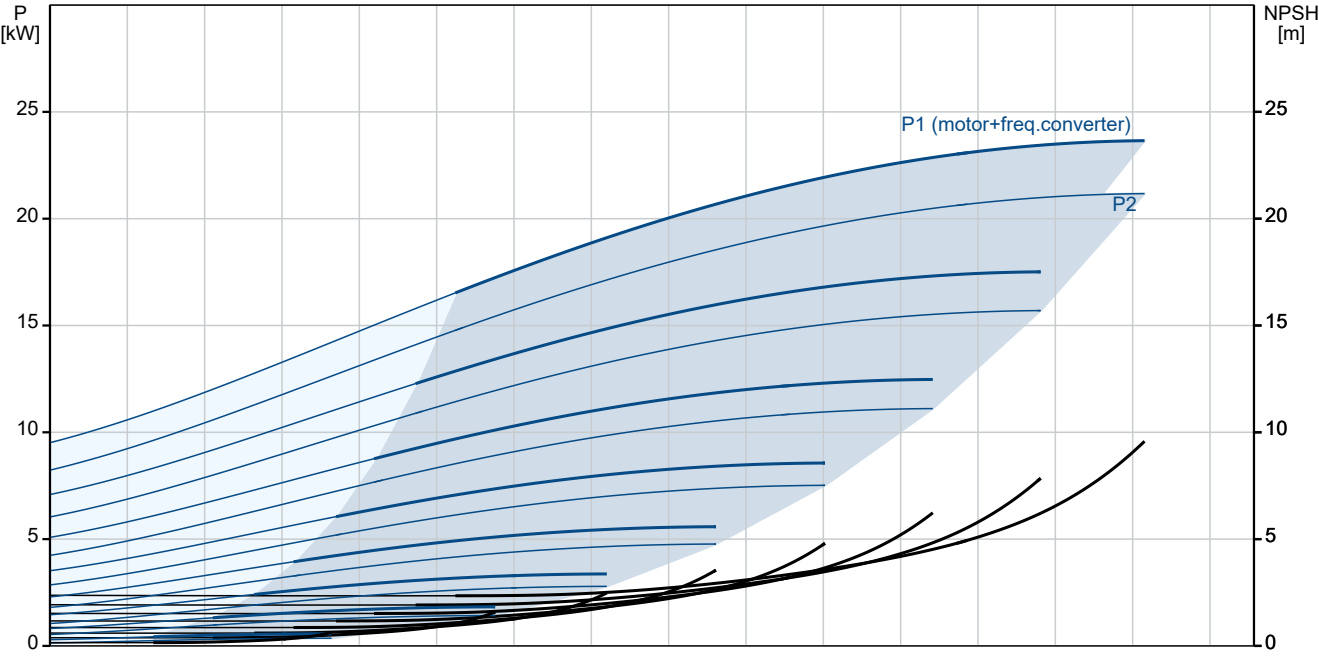
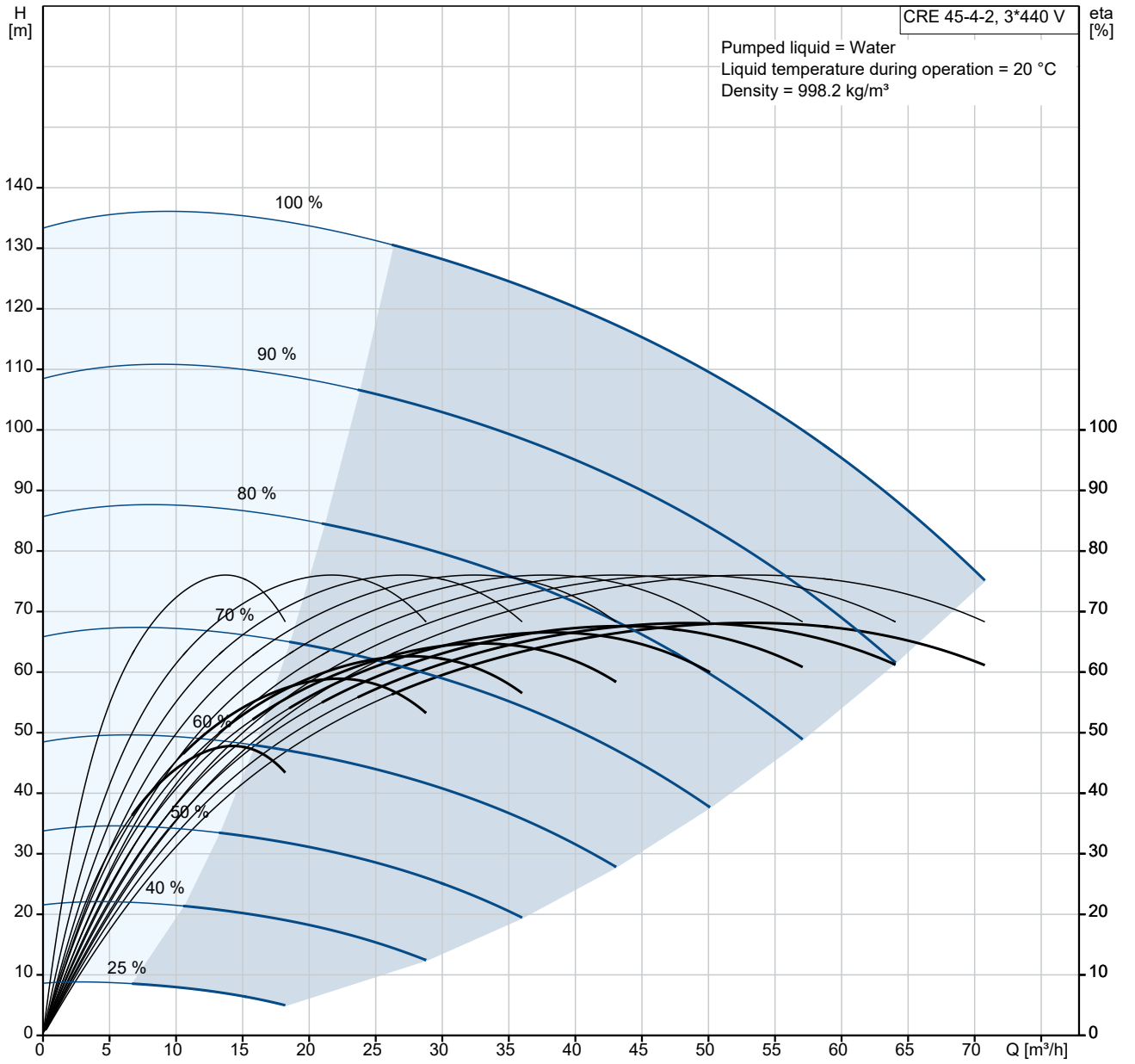
Electrical tolerances comply with IEC 60034.

The motor efficiency is classified as IE3 in accordance with IEC 60034-30-1.

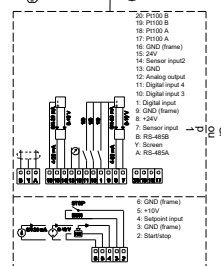
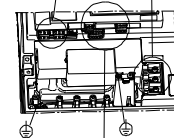
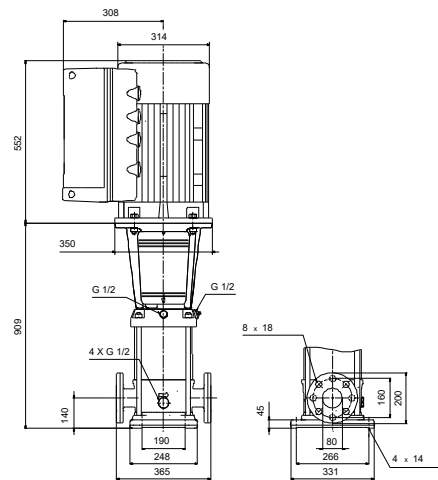
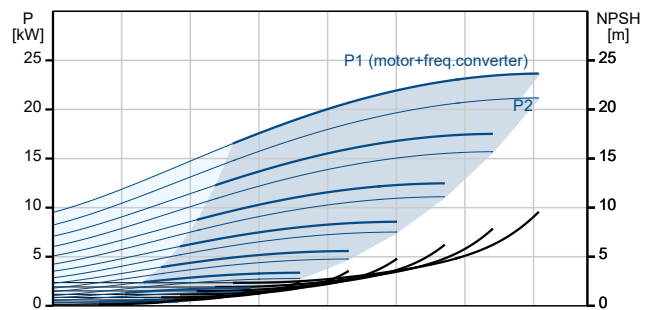
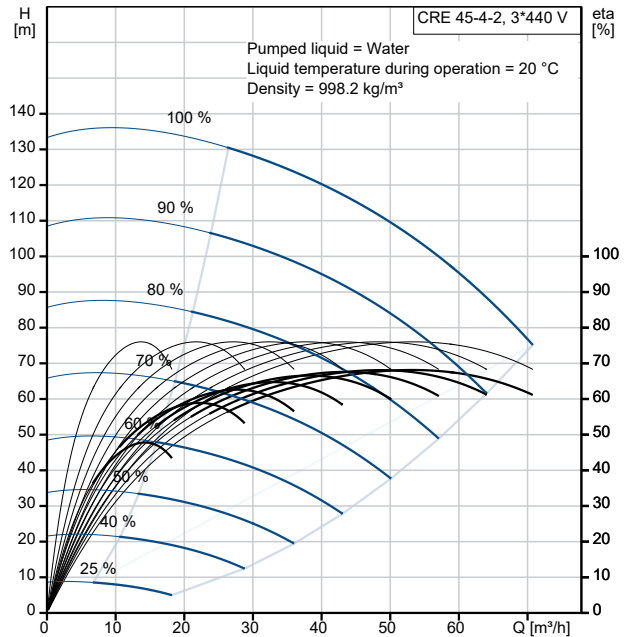
Qty.	Description
1	<p>The motor requires no external motor protection. The motor control unit incorporates protection against slow- and quick-rising temperatures, e.g. constant overload and stalled conditions.</p> <p>The terminal box holds terminals for these connections:</p> <ul style="list-style-type: none"> <li>• pump start/stop input (potential-free contact)</li> <li>• remote setpoint setting via analog signal, 0-10 V, 0(4)-20 mA</li> <li>• 10 V voltage supply for setpoint potentiometer, I<sub>max</sub> = 5 mA</li> <li>• three analog sensor inputs, 0-10 V, 0(4)-20 mA</li> <li>• 24 V voltage supply for sensor, I<sub>max</sub> = 40 mA</li> <li>• one analog output</li> <li>• three digital inputs</li> <li>• two Pt100 inputs</li> <li>• two potential-free fault signal relays with changeover contact, reporting "Fault", "Operation" or "Ready"</li> <li>• RS-485 GENIbus connection</li> <li>• interface for Grundfos CIM fieldbus module.</li> </ul> <p><b>Technical data</b></p> <p>Liquid:  Pumped liquid: Water  Liquid temperature range: -30 .. 120 °C  Selected liquid temperature: 20 °C  Density: 998.2 kg/m<sup>3</sup></p> <p>Technical:  Pump speed on which pump data are based: 3556 rpm  Rated flow: 54 m<sup>3</sup>/h  Rated head: 104 m  Pump orientation: Vertical  Shaft seal arrangement: Single  Code for shaft seal: HQQE  Approvals and markings: CE,EAC,UKCA,SEPRO  Approvals for drinking water: WRAS,ACS  Curve tolerance: ISO9906:2012 3B</p> <p>Materials:  Base: Cast iron  EN 1563 EN-GJS-500-7  ASTM A536 80-55-06  Impeller: Stainless steel  EN 1.4301  AISI 304  Bearing arrangement: SIC  Support bearing: Graflon</p> <p>Installation:  t max amb: 40 °C  Maximum operating pressure: 16 bar  Max pressure at stated temp: 16 bar / 120 °C  16 bar / -30 °C</p> <p>Type of connection: DIN  Size of inlet connection: DN 80  Size of outlet connection: DN 80  Pressure rating for connection: PN 40  Flange size for motor: FF300</p> <p>Electrical data:  Motor standard: IEC  Motor type: 180MB  IE Efficiency class: IE3  Rated power - P<sub>2</sub>: 22 kW  Power (P<sub>2</sub>) required by pump: 22 kW  Over/undersize motor: Standard motor size  Mains frequency: 50 / 60 Hz  Rated voltage: 3 x 380-480 V  Rated current: 43.5-35.0 A</p>

Qty.	Description
1	<p> Cos phi - power factor: 0.91-0.90  Rated speed: 480-3540 rpm  Efficiency: IE3 92,7%  Motor efficiency at full load: 92.7 %  Number of poles: 2  Enclosure class (IEC 34-5): IP55  Insulation class (IEC 85): F  Motor No: 85901027   Controls:  Frequency converter: Built-in  Pressure sensor: N   Others:  Minimum efficiency index, MEI ≥: 0.70  Net weight: 237 kg  Gross weight: 288 kg  Shipping volume: 0.819 m<sup>3</sup>  Danish VVS No.: 385947742  Finnish LVI No.: 4925719  Country of origin: GB  Custom tariff no.: 84137075 </p>

# 96123407 CRE 45-4-2 A-F-A-E-HQQE

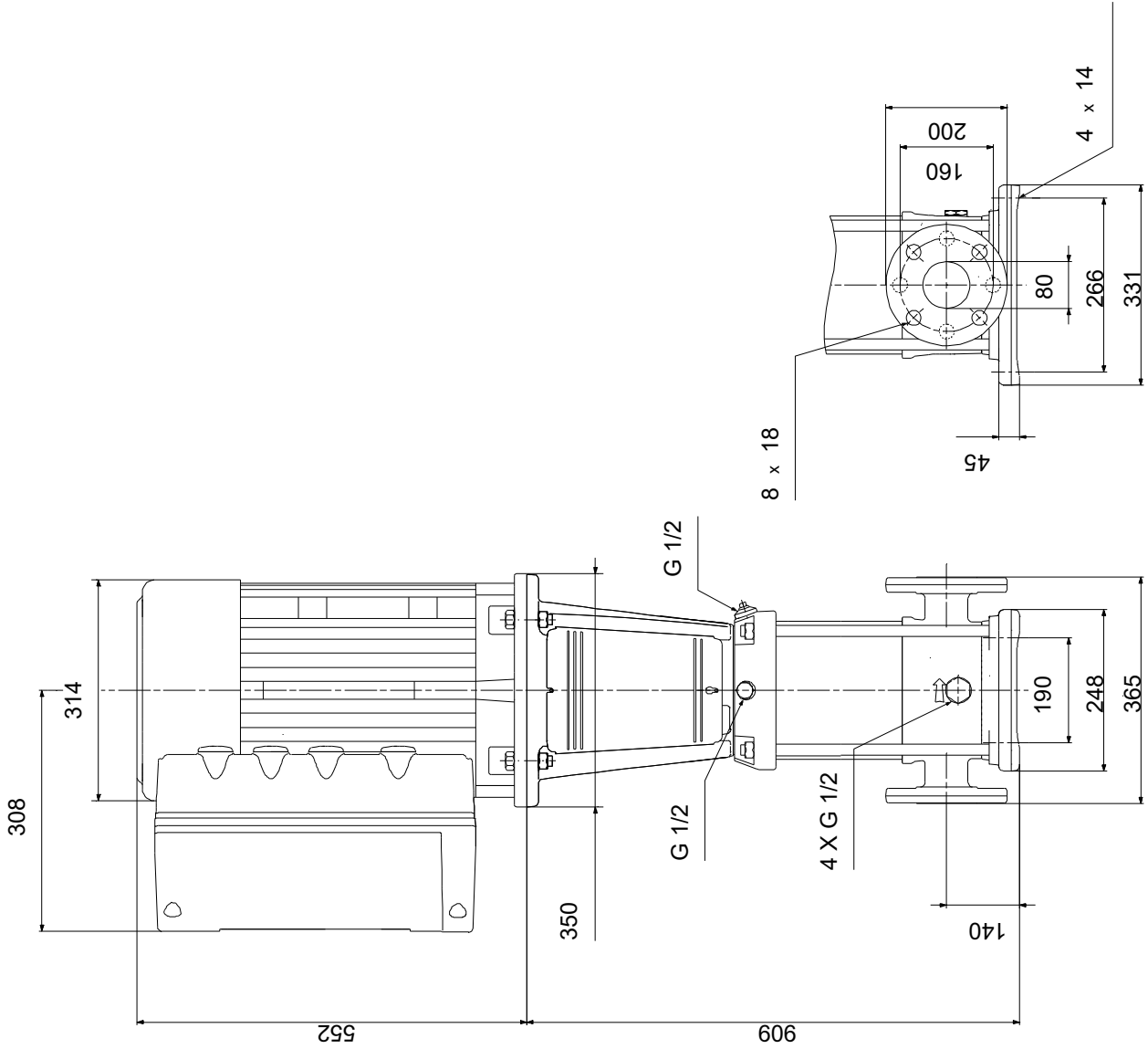


Description	Value
<b>General information:</b>	
Product name:	CRE 45-4-2 A-F-A-E-HQQE
Product No:	96123407
EAN number:	5700396694634
<b>Technical:</b>	
Pump speed on which pump data are based:	3556 rpm
Rated flow:	54 m <sup>3</sup> /h
Rated head:	104 m
Maximum head:	133.1 m
Number of stages:	4
Impellers:	4
Number of reduced-diameter impellers:	2
Low NPSH:	N
Pump orientation:	Vertical
Shaft seal arrangement:	Single
Code for shaft seal:	HQQE
Approvals and markings:	CE,EAC,UKCA,SEPRO
Approvals for drinking water:	WRAS,ACS
Curve tolerance:	ISO9906:2012 3B
Pump version:	A
The first model is called A which is followed by model B, C etc.:	B
<b>Materials:</b>	
Base:	Cast iron
Base:	EN 1563 EN-GJS-500-7
Base:	ASTM A536 80-55-06
Impeller:	Stainless steel
Impeller:	EN 1.4301
Impeller:	AISI 304
Material code:	A
Code for rubber:	E
Bearing arrangement:	SIC
Support bearing:	Graflon
<b>Installation:</b>	
t max amb:	40 °C
Maximum operating pressure:	16 bar
Max pressure at stated temp:	16 bar / 120 °C
Max pressure at stated temp:	16 bar / -30 °C
Type of connection:	DIN
Size of inlet connection:	DN 80
Size of outlet connection:	DN 80
Pressure rating for connection:	PN 40
Flange size for motor:	FF300
Connect code:	F
<b>Liquid:</b>	
Pumped liquid:	Water
Liquid temperature range:	-30 .. 120 °C
Selected liquid temperature:	20 °C
Density:	998.2 kg/m <sup>3</sup>
<b>Electrical data:</b>	
Motor standard:	IEC
Motor type:	180MB
IE Efficiency class:	IE3
Rated power - P2:	22 kW
Power (P2) required by pump:	22 kW
Over/undersize motor:	Standard motor size
Mains frequency:	50 / 60 Hz
Rated voltage:	3 x 380-480 V
Rated current:	43.5-35.0 A
Cos phi - power factor:	0.91-0.90
Rated speed:	480-3540 rpm
Efficiency:	IE3 92,7%
Motor efficiency at full load:	92.7 %



Description	Value
Number of poles:	2
Enclosure class (IEC 34-5):	IP55
Insulation class (IEC 85):	F
Built-in motor protection:	YES
Motor No:	85901027
<b>Controls:</b>	
Function Module:	ADVANCED I/O
Frequency converter:	Built-in
Pressure sensor:	N
<b>Others:</b>	
Minimum efficiency index, MEI ≥:	0.70
Net weight:	237 kg
Gross weight:	288 kg
Shipping volume:	0.819 m <sup>3</sup>
Config. file no:	95139535
Danish VVS No.:	385947742
Finnish LVI No.:	4925719
Country of origin:	GB
Custom tariff no.:	84137075

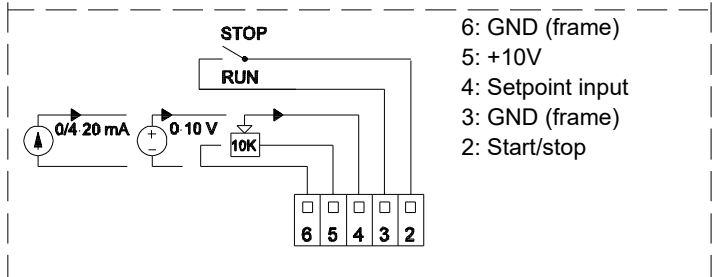
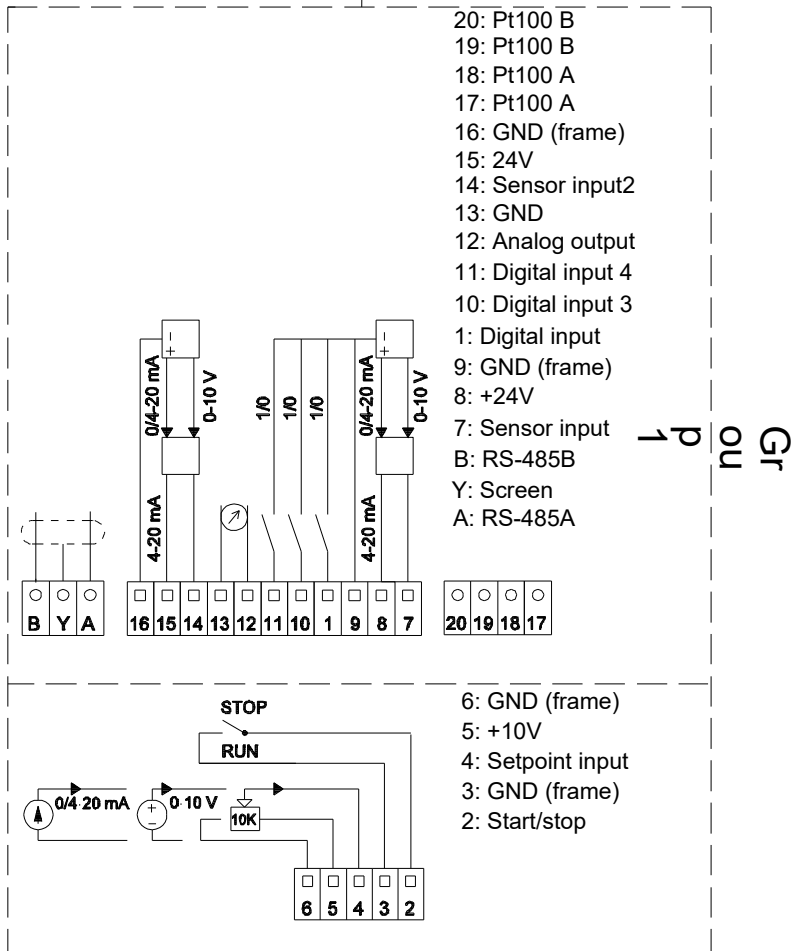
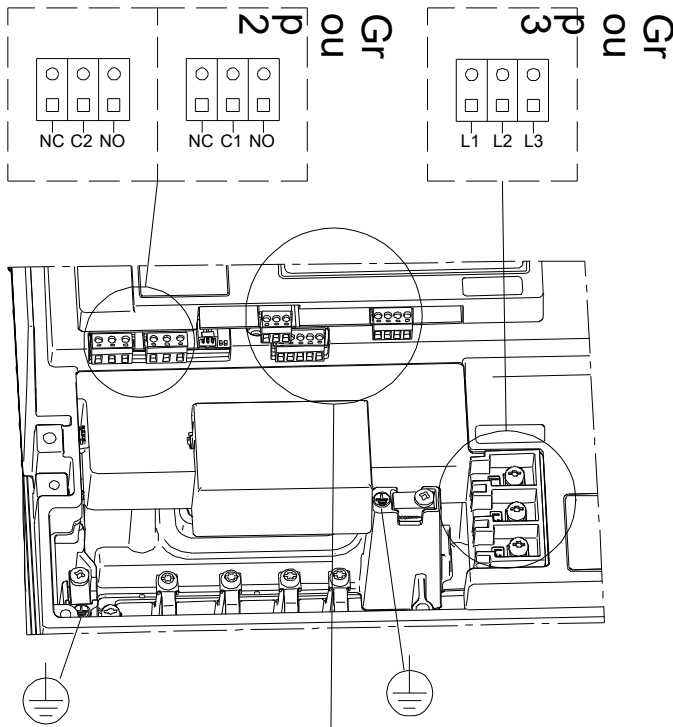
# 96123407 CRE 45-4-2 A-F-A-E-HQQE



Note! All units are in [mm] unless others are stated.  
 Disclaimer: This simplified dimensional drawing does not show all details.



# 96123407 CRE 45-4-2 A-F-A-E-HQQE



Note! All units are in [mm] unless others are stated.

