

**Qty. Description**1 **TPED 100-250/4 A-F-A-BQQE-NX3****Note! Product picture may differ from actual product**

Product No.: On request

Single-stage, close-coupled, volute twin-head pump with in-line suction and discharge ports of identical diameter. The twin-head pump is designed with two parallel power-heads.

The pump is of the top-pull-out design, i.e. the power head (motor, pump head and impeller) can be removed for maintenance or service while the pump housing remains in the pipework.

Each power head is fitted with an unbalanced rubber bellows seal.

The shaft seal is according to EN 12756. Pipework connection is via PN 16 DIN flanges (EN 1092-2 and ISO 7005-2).

Each power head is fitted with a fan-cooled asynchronous motor of identical size.

**Controls:**

Frequency converter: Built-in

**Liquid:**

Pumped liquid: Water  
Liquid temperature range: -25 .. 120 °C  
Selected liquid temperature: 20 °C  
Density: 998.2 kg/m<sup>3</sup>

**Technical:**

Pump speed on which pump data are based: 1460 rpm  
Rated flow: 113 m<sup>3</sup>/h  
Rated head: 21.1 m  
Actual impeller diameter: 270 mm  
Code for shaft seal: BQQE  
Curve tolerance: ISO9906:2012 3B

**Materials:**

Pump housing: Cast iron  
EN-GJL-250  
ASTM class 35  
Impeller: Cast iron  
EN-GJL-200  
ASTM class 30

**Installation:**

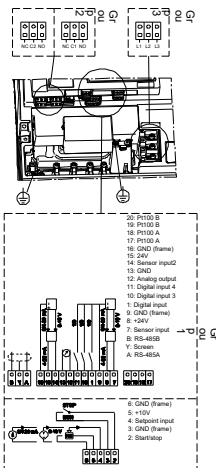
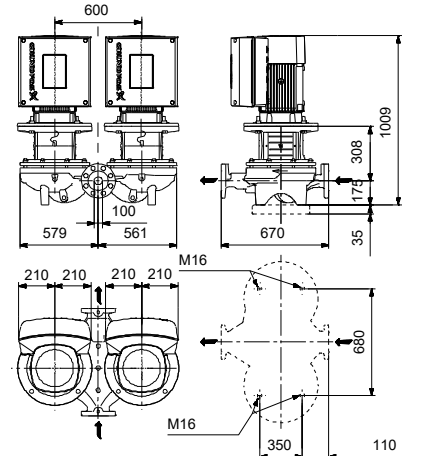
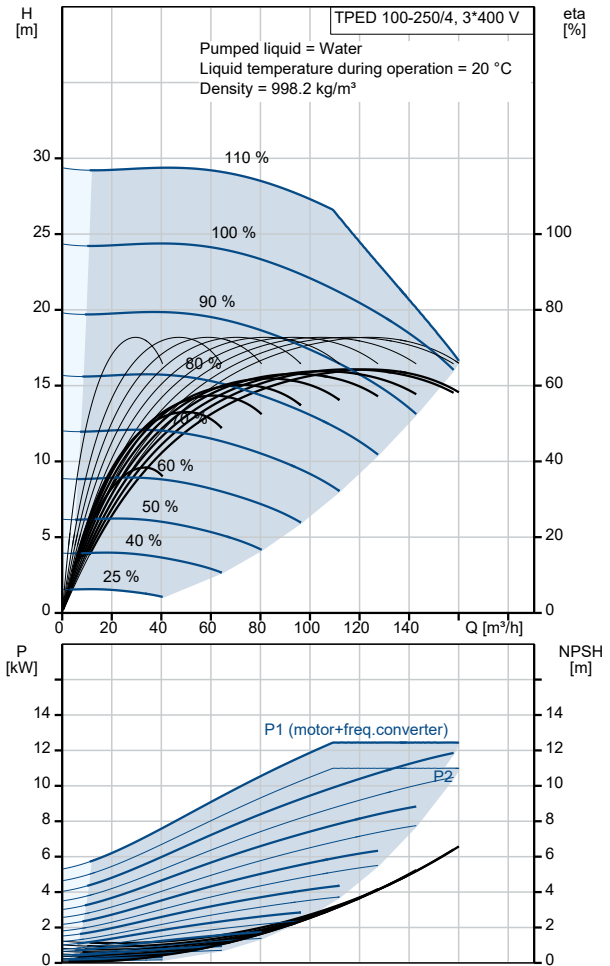
Range of ambient temperature: -20 .. 40 °C  
Maximum operating pressure: 16 bar  
Max pressure at stated temp: 16 bar / 120 °C  
Type of connection: DIN  
Size of connection: DN 100  
Pressure rating for connection: PN 16  
Port-to-port length: 670 mm  
Flange size for motor: FF300

**Electrical data:**

Motor type: 160MB  
IE Efficiency class: IE3  
Rated power - P2: 11 kW  
Mains frequency: 50 Hz  
Rated voltage: 3 x 380-480 V  
Rated current: 22.0-17.8 A

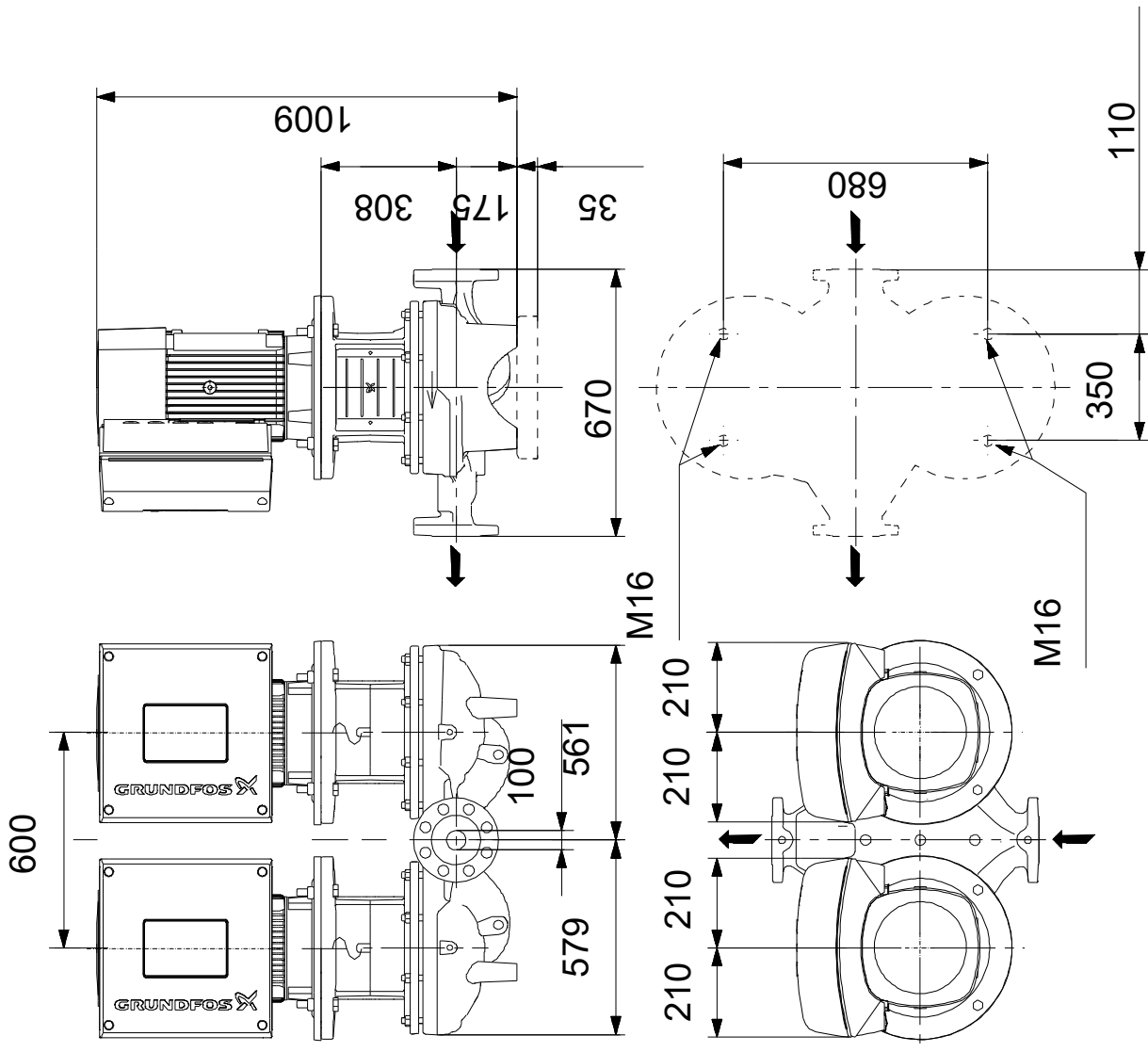
Qty.	Description
1	<p> Cos phi - power factor: 0.91-0.90  Rated speed: 240-1750 rpm  Efficiency: IE3 91,4%  Motor efficiency at full load: 91.4 %  Number of poles: 4  Enclosure class (IEC 34-5): IP55  Insulation class (IEC 85): F  Motor No: 86906182   Others:  Minimum efficiency index, MEI ≥: 0.45  Net weight: 564 kg  Gross weight: 627 kg  Shipping volume: 1.87 m<sup>3</sup>  Country of origin: HU  Custom tariff no.: 84137065 </p>

Description	Value
<b>General information:</b>	
Product name:	TPED 100-250/4 A-F-A-BQQE-NX3
Product No:	On request
EAN number:	On request
<b>Technical:</b>	
Pump speed on which pump data are based:	1460 rpm
Rated flow:	113 m <sup>3</sup> /h
Rated head:	21.1 m
Maximum head:	250 dm
Actual impeller diameter:	270 mm
Code for shaft seal:	BQQE
Curve tolerance:	ISO9906:2012 3B
Pump version:	A
<b>Materials:</b>	
Pump housing:	Cast iron
Pump housing:	EN-GJL-250
Pump housing:	ASTM class 35
Impeller:	Cast iron
Impeller:	EN-GJL-200
Impeller:	ASTM class 30
Material code:	A
<b>Installation:</b>	
Range of ambient temperature:	-20 .. 40 °C
Maximum operating pressure:	16 bar
Max pressure at stated temp:	16 bar / 120 °C
Type of connection:	DIN
Size of connection:	DN 100
Pressure rating for connection:	PN 16
Port-to-port length:	670 mm
Flange size for motor:	FF300
Connect code:	F
<b>Liquid:</b>	
Pumped liquid:	Water
Liquid temperature range:	-25 .. 120 °C
Selected liquid temperature:	20 °C
Density:	998.2 kg/m <sup>3</sup>
<b>Electrical data:</b>	
Motor type:	160MB
IE Efficiency class:	IE3
Rated power - P2:	11 kW
Mains frequency:	50 Hz
Rated voltage:	3 x 380-480 V
Rated current:	22.0-17.8 A
Cos phi - power factor:	0.91-0.90
Rated speed:	240-1750 rpm
Efficiency:	IE3 91,4%
Motor efficiency at full load:	91.4 %
Number of poles:	4
Enclosure class (IEC 34-5):	IP55
Insulation class (IEC 85):	F
Built-in motor protection:	YES
Motor No:	86906182
<b>Controls:</b>	
Control panel:	Standard
Function Module:	TPED
Frequency converter:	Built-in
<b>Others:</b>	
Minimum efficiency index, MEI ≥:	0.45
Net weight:	564 kg
Gross weight:	627 kg
Shipping volume:	1.87 m <sup>3</sup>
Config. file no:	95139409



Description	Value
Country of origin:	HU
Custom tariff no.:	84137065

**On request TPED 100-250/4 A-F-A-BQQE-NX3 50 Hz**



Note! All units are in [mm] unless others are stated.  
 Disclaimer: This simplified dimensional drawing does not show all details.

