
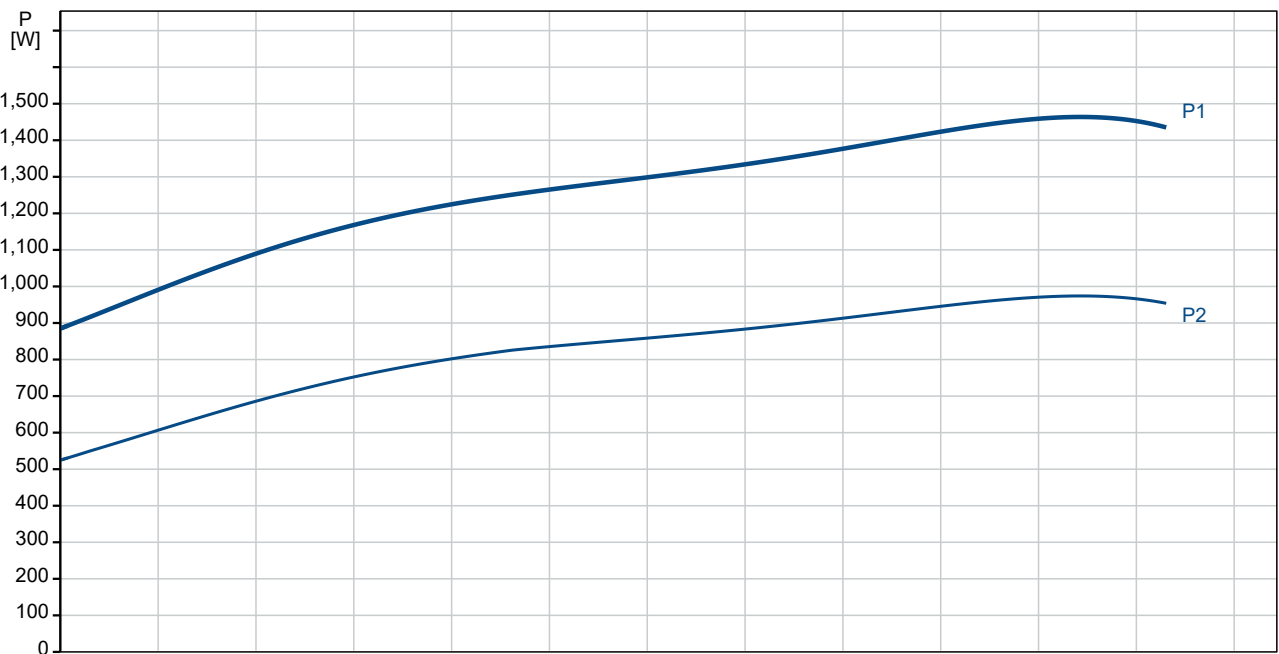
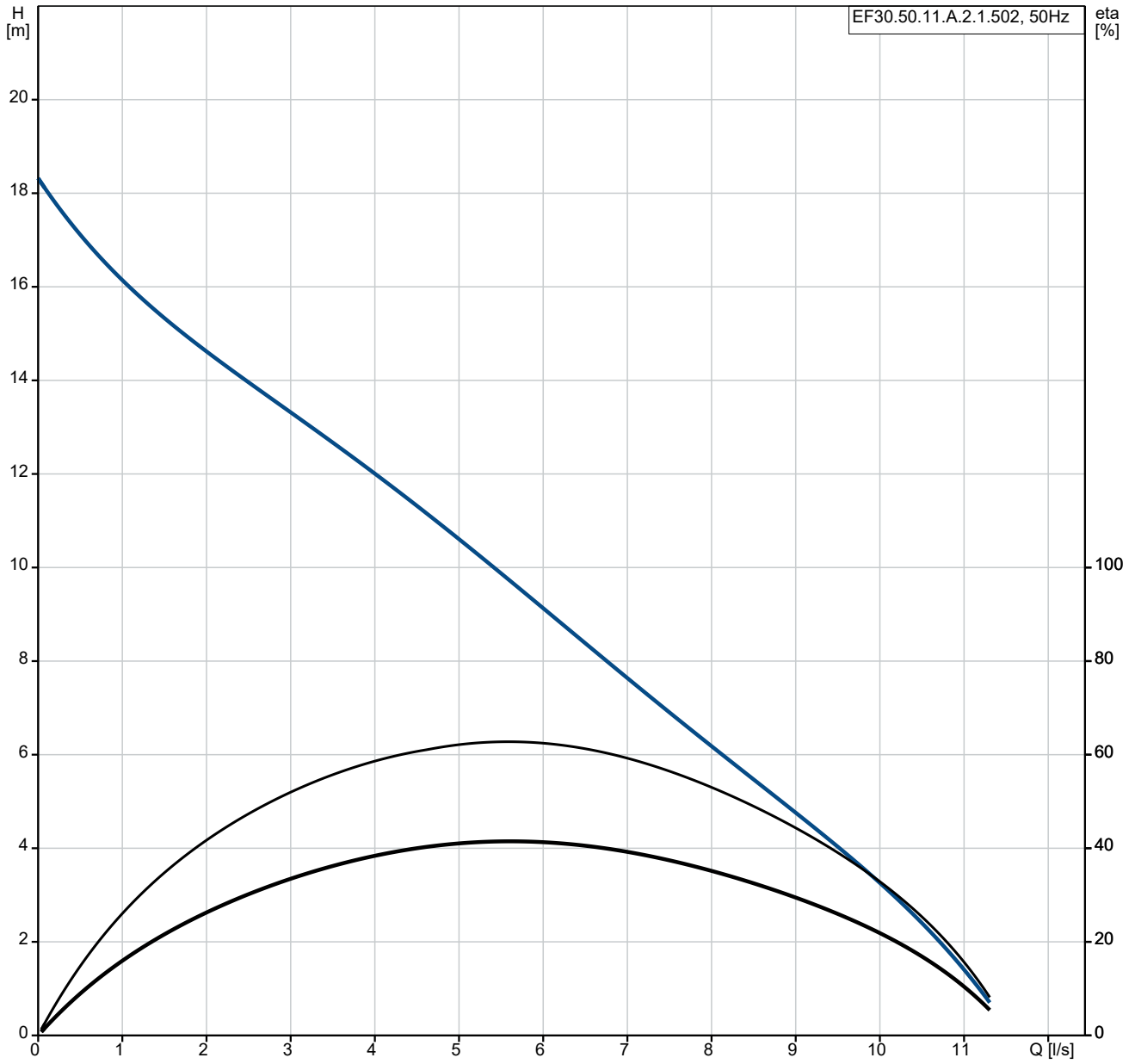


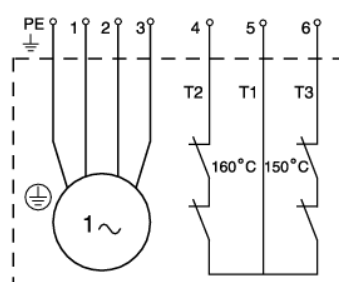
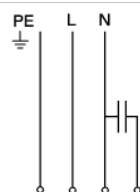
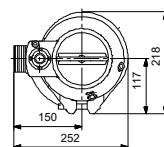
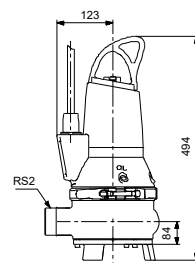
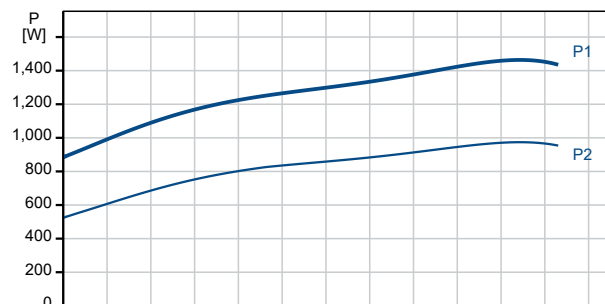
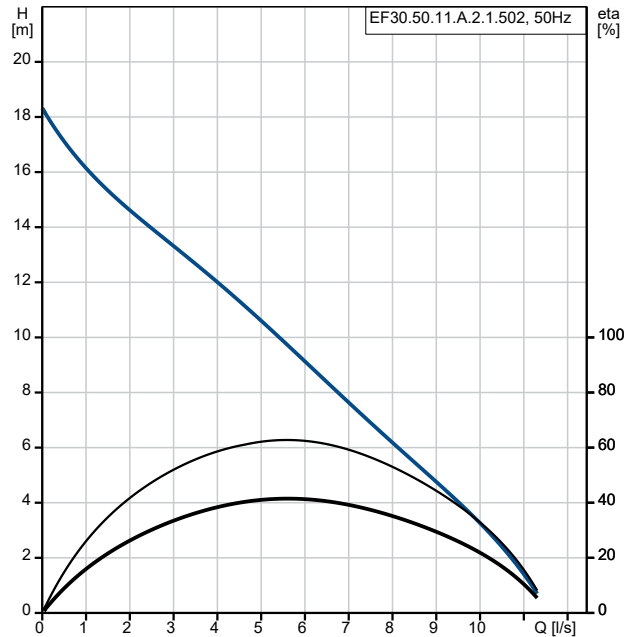
Qty.	Description
1	<p data-bbox="193 159 443 190">EF30.50.11.A.2.1.502</p>  <p data-bbox="592 506 1062 533" style="text-align: center;">Note! Product picture may differ from actual product</p> <p data-bbox="193 539 464 566">Product No.: 96106556</p> <p data-bbox="193 598 1134 629">GRUNDFOS EF pump is a portable pump for both domestic and industrial applications.</p> <p data-bbox="193 656 1283 687">The pump has a single-vane, semi-open impeller for 30 mm free passage and is suitable for pumping</p> <ul data-bbox="193 687 1283 806" style="list-style-type: none"> • drainage and surface water with small impurities • wastewater with fibres, e.g. from laundries • wastewater without discharge from toilets • wastewater from commercial buildings without discharge from toilets. <p data-bbox="193 835 1197 866">The compact design makes the pump suitable for both temporary and permanent installation.</p> <p data-bbox="193 893 1350 925">The pump is a cast iron submersible pump with integrated submersible 1-phase motor. Approvals: LGA</p> <p data-bbox="193 952 1034 983">The pump has an intermediate oil chamber pre-filled with non-toxic special oil.</p> <p data-bbox="193 1010 1377 1068">The pump is fitted with a cable plug for easy dismantling. This plug is hermetically sealed with polyurethane to prevent water from penetrating through the cable into the motor.</p> <p data-bbox="193 1099 1401 1158">A clamp between pump housing and motor ensures easy and safe dismantling and assembly. Inspection can be done in the field without any special tools.</p> <p data-bbox="193 1189 1457 1247">The pump is fitted with a double shaft seal in the unique cartridge design. This makes it easy to replace the shaft seal very quickly in the field without any special tools. It also eliminates the risk of faulty installation.</p> <p data-bbox="193 1279 1187 1310">The motor is insulation class F and has long-life, deep-groove, greased-for-life ball bearings.</p> <p data-bbox="193 1337 1409 1368">The pump has R 2 discharge port and is ready for installation either free-standing or on an auto-coupling system.</p> <p data-bbox="193 1395 300 1426">Controls:</p> <p data-bbox="193 1426 834 1458">Moisture sensor: without moisture sensors</p> <p data-bbox="193 1458 847 1489">Water-in-oil sensor: without water-in-oil sensor</p> <p data-bbox="193 1489 660 1520">AUTOADAPT with/without (Yes/No): NO</p> <p data-bbox="193 1547 276 1579">Liquid:</p> <p data-bbox="193 1579 668 1610">Liquid temperature range: 0 .. 40 °C</p> <p data-bbox="193 1610 695 1641">Density: 998.2 kg/m³</p> <p data-bbox="193 1668 316 1700">Technical:</p> <p data-bbox="193 1700 627 1731">Max flow: 12 l/s</p> <p data-bbox="193 1731 702 1762">Type of impeller: SEMI OPEN</p> <p data-bbox="193 1762 643 1794">Maximum particle size: 30 mm</p> <p data-bbox="193 1794 655 1825">Primary shaft seal: SIC/SIC</p> <p data-bbox="193 1825 624 1856">Max. hydraulic efficiency: 62 %</p> <p data-bbox="193 1856 616 1888">Approvals on nameplate: LGA</p> <p data-bbox="193 1888 772 1919">Curve tolerance: ISO9906:2012 3B2</p> <p data-bbox="193 1946 309 1977">Materials:</p> <p data-bbox="193 1977 702 2036">Pump housing: Cast iron EN-GJL-250</p> <p data-bbox="193 2036 726 2094">Impeller: Cast iron EN-GJS-500-7</p>

Qty.	Description
1	<p>Installation:</p> <p>t max amb: 40 °C</p> <p>Maximum operating pressure: 6 bar</p> <p>Pump outlet: R 2</p> <p>Maximum installation depth: 10 m</p> <p>Auto-coupling: Y</p> <p>Electrical data:</p> <p>Power input - P1: 1.6 kW</p> <p>Rated power - P2: 1.1 kW</p> <p>Mains frequency: 50 Hz</p> <p>Rated voltage: 1 x 230 V</p> <p>Voltage tolerance: +6/-10 %</p> <p>Max starts per. hour: 30</p> <p>Rated current: 7.4 A</p> <p>Rated current at 3/4 load: 5.8 A</p> <p>Rated current at 1/2 load: 4.5 A</p> <p>Starting current: 38 A</p> <p>Rated current at no load: 2.6 A</p> <p>Cos phi - power factor: 0.97</p> <p>Cos phi - p.f. at 3/4 load: 0.96</p> <p>Cos phi - p.f. at 1/2 load: 0.89</p> <p>Rated speed: 2830 rpm</p> <p>Locked-rotor torque: 6.5 Nm</p> <p>Breakdown torque: 7 Nm</p> <p>Moment of inertia: 0.0037 kg m²</p> <p>Motor efficiency at full load: 67 %</p> <p>Motor efficiency at 3/4 load: 66 %</p> <p>Motor efficiency at 1/2 load: 60 %</p> <p>Capacitor size - run: 30 µF</p> <p>Number of poles: 2</p> <p>Start. method: direct-on-line</p> <p>Enclosure class (IEC 34-5): IP68</p> <p>Insulation class (IEC 85): F</p> <p>Explosion proof: no</p> <p>Length of cable: 10 m</p> <p>Cable type: H07RN-F</p> <p>Type of cable plug: SCHUKO</p> <p>Others:</p> <p>Net weight: 41 kg</p> <p>Danish VVS No.: 391292352</p> <p>Country of origin: HU</p> <p>Custom tariff no.: 84137021</p>

96106556 EF30.50.11.A.2.1.502 50 Hz

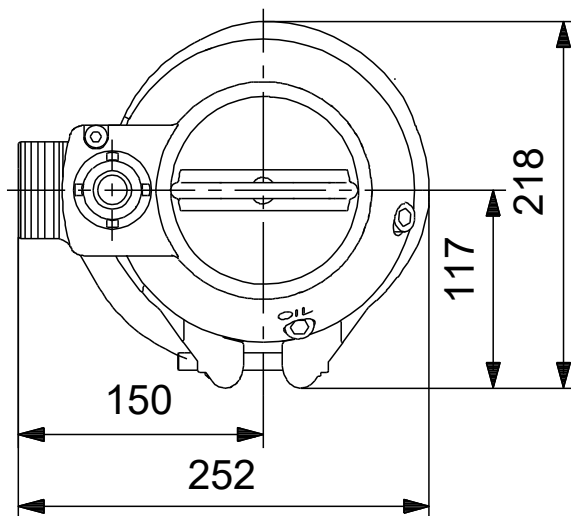
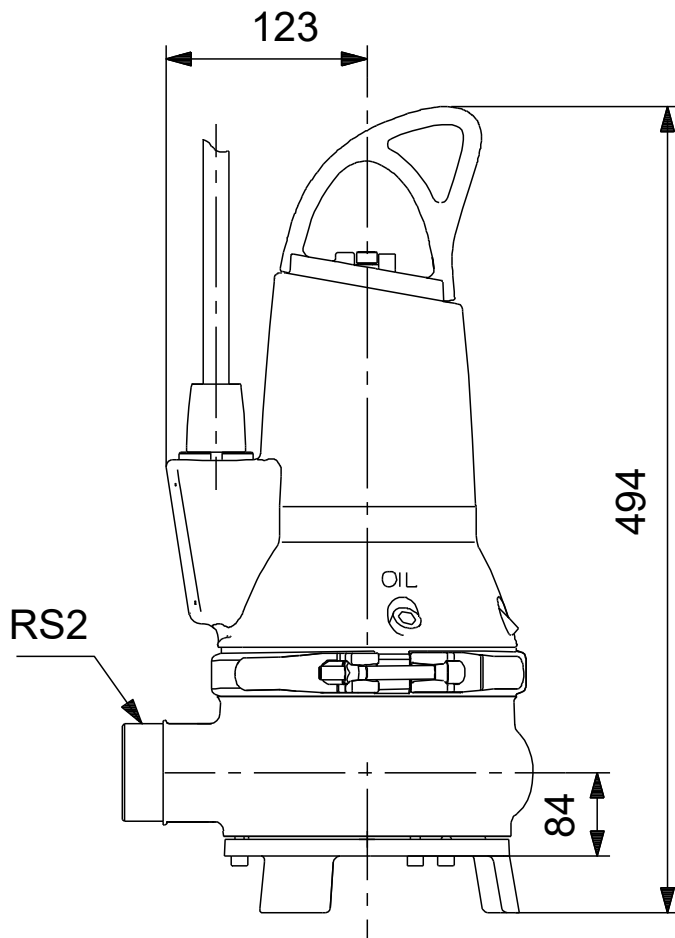


Description	Value
General information:	
Product name:	EF30.50.11.A.2.1.502
Product No:	96106556
EAN number:	5700396854168
Technical:	
Max flow:	12 l/s
Head max:	19.3 m
Type of impeller:	SEMI OPEN
Maximum particle size:	30 mm
Primary shaft seal:	SIC/SIC
Max. hydraulic efficiency:	62 %
Approvals on nameplate:	LGA
Curve tolerance:	ISO9906:2012 3B2
Materials:	
Pump housing:	Cast iron
Pump housing:	EN-GJL-250
Impeller:	Cast iron
Impeller:	EN-GJS-500-7
Installation:	
t max amb:	40 °C
Maximum operating pressure:	6 bar
Pump outlet:	R 2
Maximum installation depth:	10 m
Inst dry/wet:	S
Installation:	vertical
Auto-coupling:	Y
Liquid:	
Liquid temperature range:	0 .. 40 °C
Density:	998.2 kg/m ³
Electrical data:	
Power input - P1:	1.6 kW
Rated power - P2:	1.1 kW
Mains frequency:	50 Hz
Rated voltage:	1 x 230 V
Voltage tolerance:	+6/-10 %
Max starts per. hour:	30
Rated current:	7.4 A
Rated current at 3/4 load:	5.8 A
Rated current at 1/2 load:	4.5 A
Starting current:	38 A
Rated current at no load:	2.6 A
Cos phi - power factor:	0.97
Cos phi - p.f. at 3/4 load:	0.96
Cos phi - p.f. at 1/2 load:	0.89
Rated speed:	2830 rpm
Locked-rotor torque:	6.5 Nm
Breakdown torque:	7 Nm
Moment of inertia:	0.0037 kg m ²
Motor efficiency at full load:	67 %
Motor efficiency at 3/4 load:	66 %
Motor efficiency at 1/2 load:	60 %
Capacitor size - run:	30 µF
Number of poles:	2
Start. method:	direct-on-line
Enclosure class (IEC 34-5):	IP68
Insulation class (IEC 85):	F
Explosion proof:	no
Built-in motor protection:	THERMAL SWITCH
Thermal protec:	internal
Length of cable:	10 m
Cable type:	H07RN-F
Type of cable plug:	SCHUKO
Controls:	
Control box:	control box included



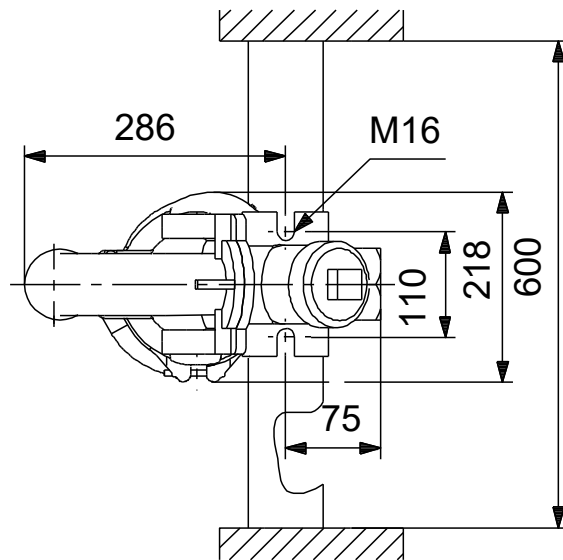
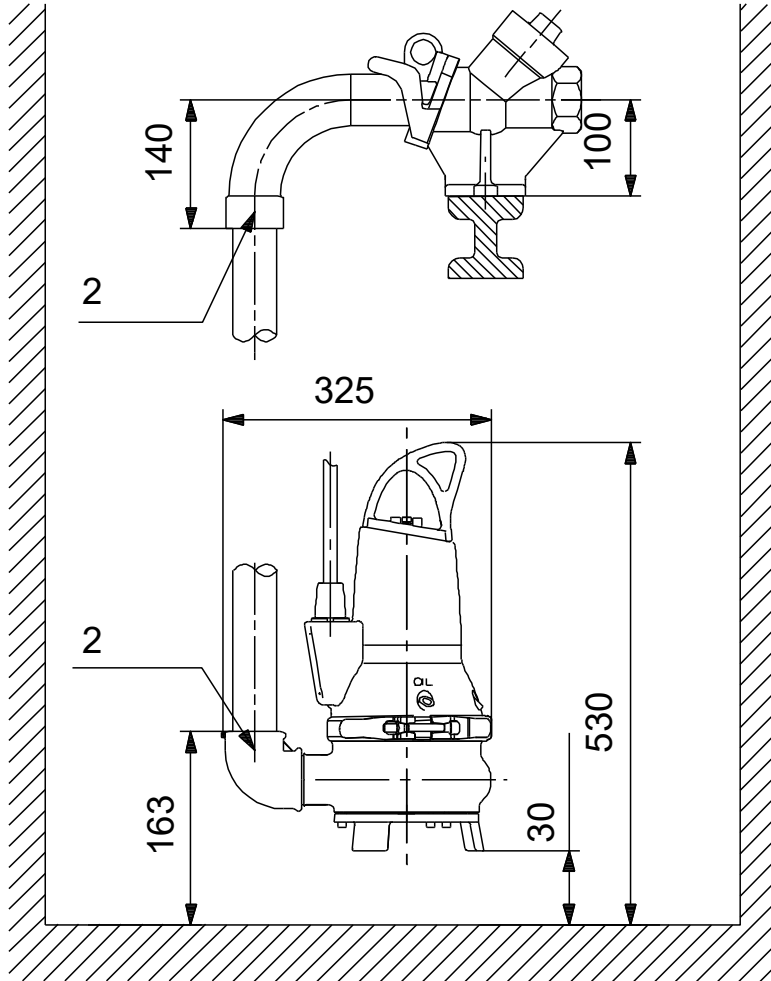
Description	Value
Additional I/O:	External
Moisture sensor:	without moisture sensors
Water-in-oil sensor:	without water-in-oil sensor
AUTOADAPT with/without (Yes/No):	NO
Others:	
Net weight:	41 kg
Danish VVS No.:	391292352
Country of origin:	HU
Custom tariff no.:	84137021

96106556 EF30.50.11.A.2.1.502 50 Hz



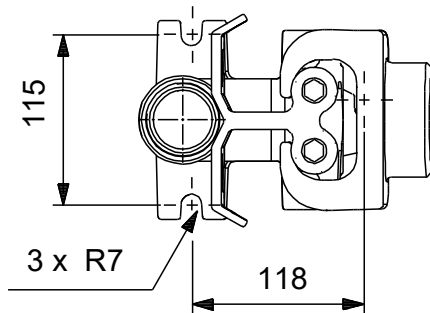
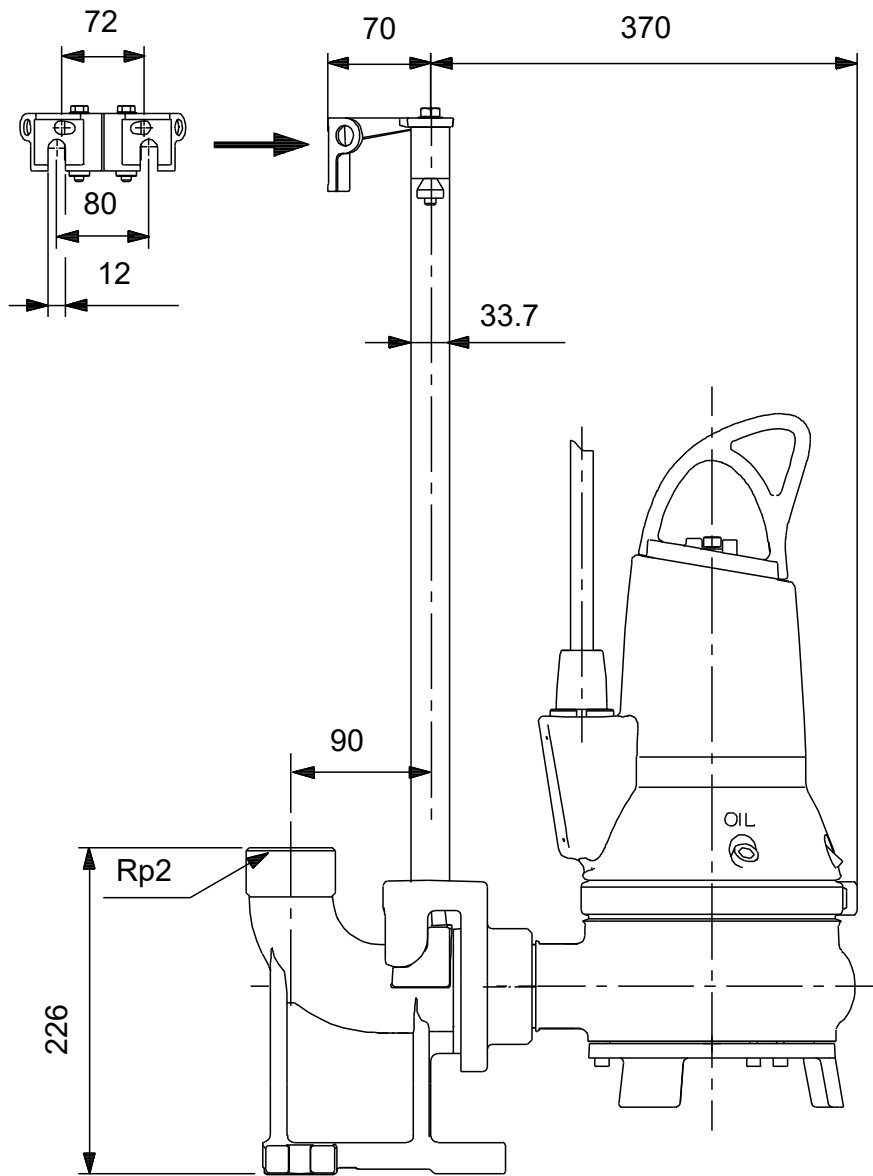
Note! All units are in [mm] unless others are stated.
Disclaimer: This simplified dimensional drawing does not show all details.

96106556 EF30.50.11.A.2.1.502 50 Hz



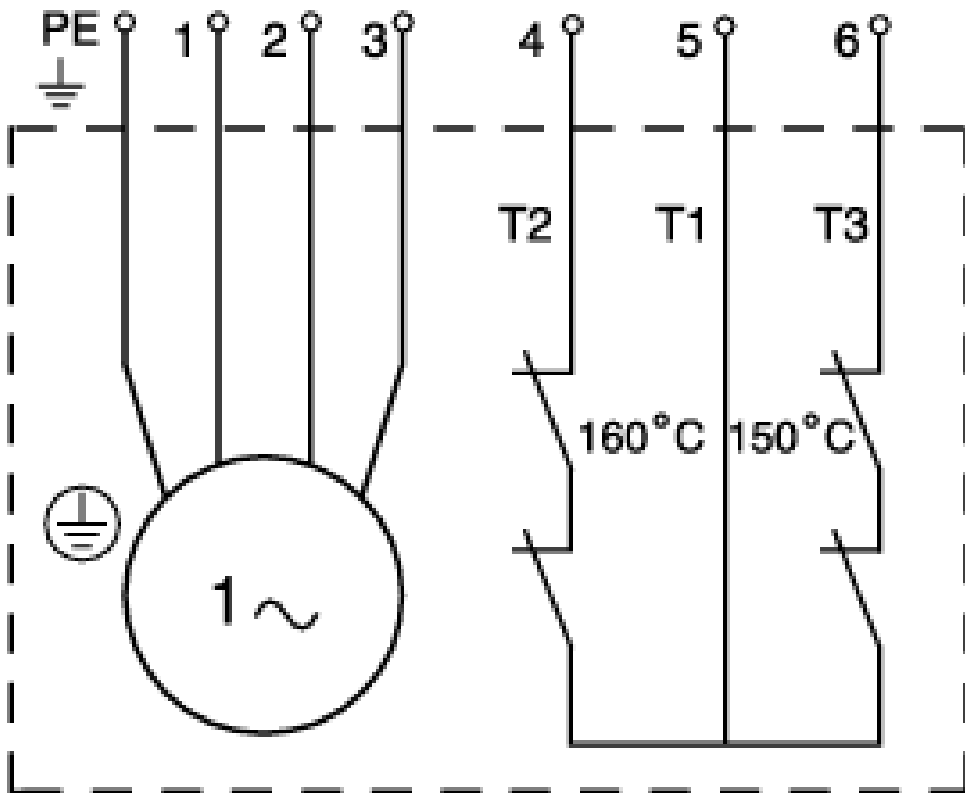
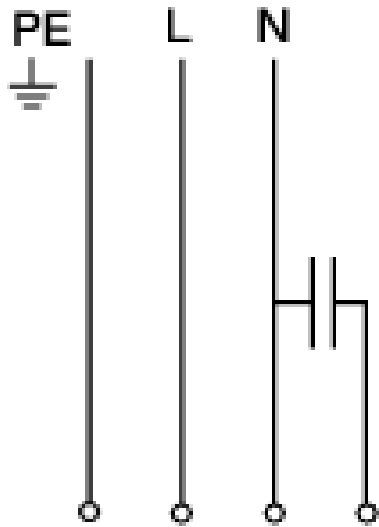
Note! All units are in [mm] unless others are stated.
Disclaimer: This simplified dimensional drawing does not show all details.

96106556 EF30.50.11.A.2.1.502 50 Hz



Note! All units are in [mm] unless others are stated.
Disclaimer: This simplified dimensional drawing does not show all details.

96106556 EF30.50.11.A.2.1.502 50 Hz



Note! All units are in [mm] unless others are stated.

