
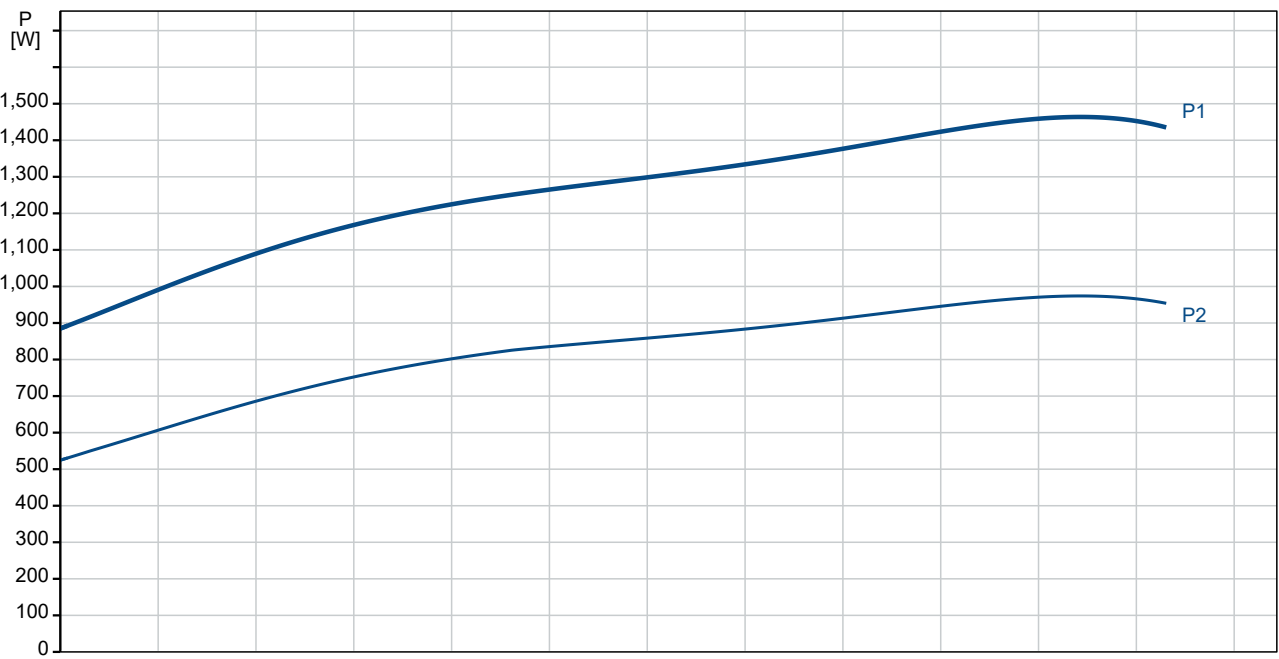
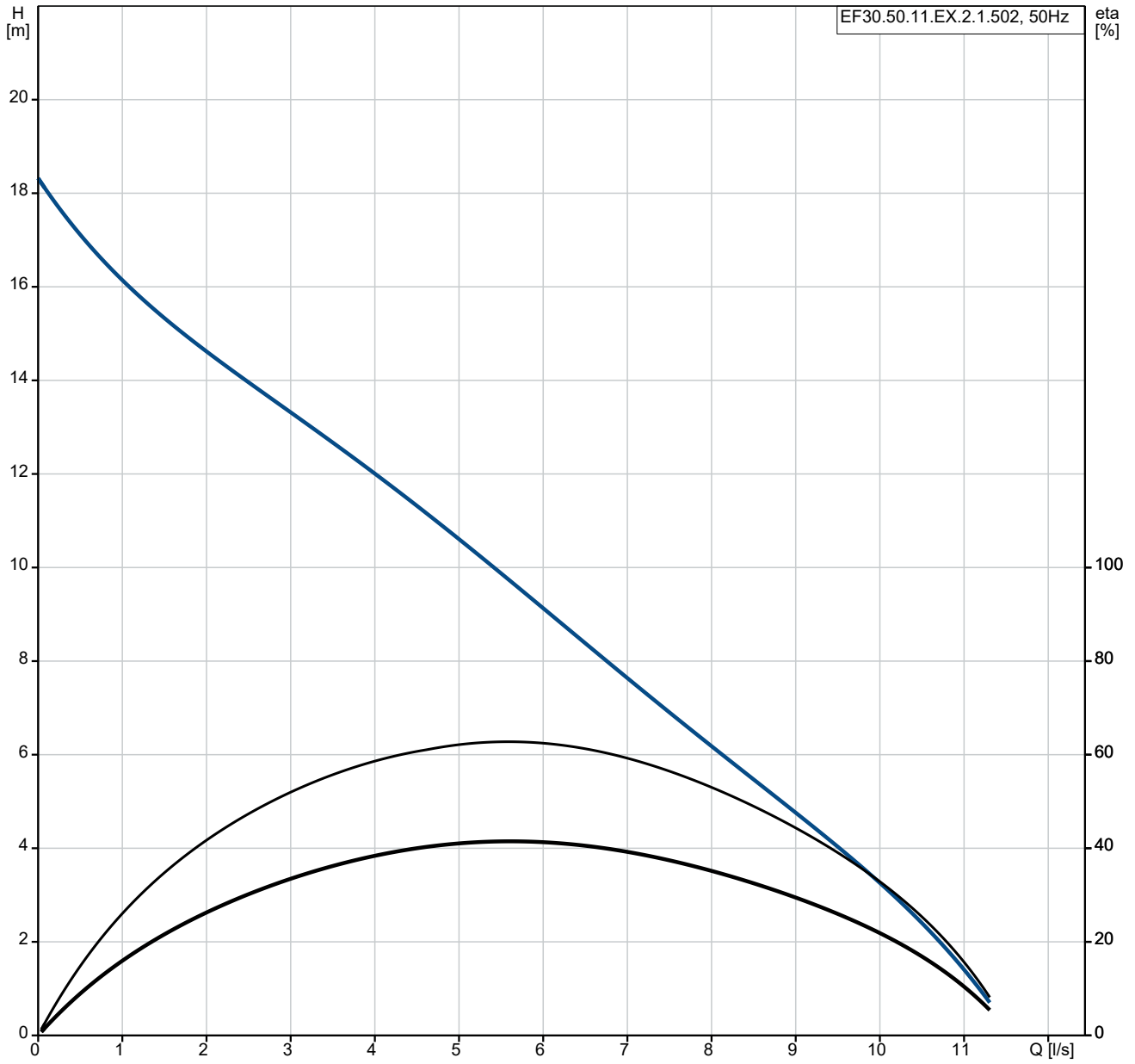


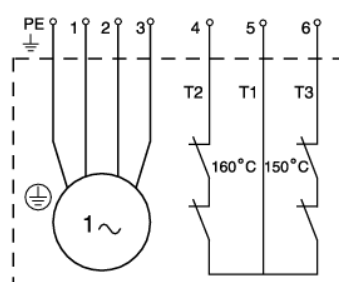
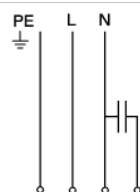
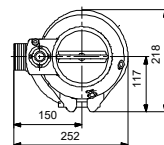
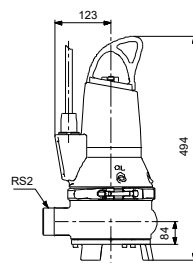
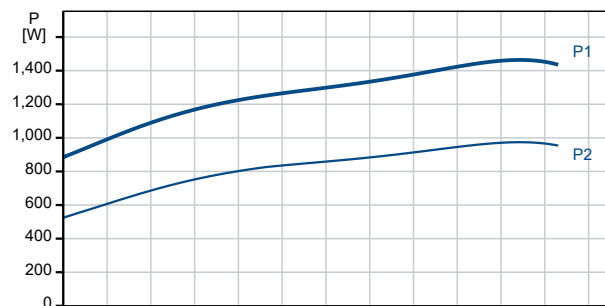
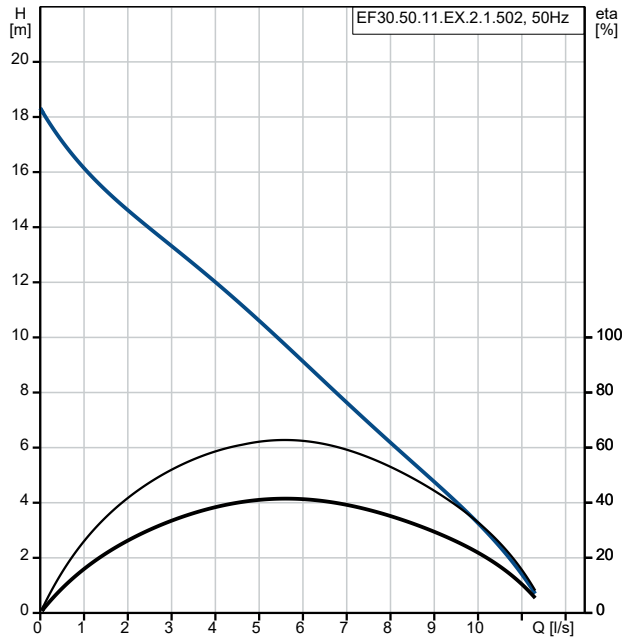
Qty.	Description
1	<p data-bbox="199 159 454 190"><b>EF30.50.11.EX.2.1.502</b></p>  <p data-bbox="590 504 1061 533" style="text-align: center;"><b>Note! Product picture may differ from actual product</b></p> <p data-bbox="199 537 462 566">Product No.: <a href="#">96106555</a></p> <p data-bbox="199 593 1133 627">GRUNDFOS EF pump is a portable pump for both domestic and industrial applications.</p> <p data-bbox="199 654 1284 687">The pump has a single-vane, semi-open impeller for 30 mm free passage and is suitable for pumping</p> <ul data-bbox="199 687 1284 806" style="list-style-type: none"> <li>• drainage and surface water with small impurities</li> <li>• wastewater with fibres, e.g. from laundries</li> <li>• wastewater without discharge from toilets</li> <li>• wastewater from commercial buildings without discharge from toilets.</li> </ul> <p data-bbox="199 833 1197 866">The compact design makes the pump suitable for both temporary and permanent installation.</p> <p data-bbox="199 893 1428 927">The pump is a cast iron submersible pump with integrated submersible explosion-proof 1-phase motor. Approvals: LGA, ATEX</p> <p data-bbox="199 954 1037 987">The pump has an intermediate oil chamber pre-filled with non-toxic special oil.</p> <p data-bbox="199 1014 1380 1070">The pump is fitted with a cable plug for easy dismantling. This plug is hermetically sealed with polyurethane to prevent water from penetrating through the cable into the motor.</p> <p data-bbox="199 1097 1404 1153">A clamp between pump housing and motor ensures easy and safe dismantling and assembly. Inspection can be done in the field without any special tools.</p> <p data-bbox="199 1180 1460 1236">The pump is fitted with a double shaft seal in the unique cartridge design. This makes it easy to replace the shaft seal very quickly in the field without any special tools. It also eliminates the risk of faulty installation.</p> <p data-bbox="199 1263 1189 1296">The motor is insulation class F and has long-life, deep-groove, greased-for-life ball bearings.</p> <p data-bbox="199 1323 1412 1357">The pump has R 2 discharge port and is ready for installation either free-standing or on an auto-coupling system.</p> <p data-bbox="199 1384 303 1417"><b>Controls:</b></p> <p data-bbox="199 1417 837 1451">Moisture sensor: without moisture sensors</p> <p data-bbox="199 1451 853 1485">Water-in-oil sensor: without water-in-oil sensor</p> <p data-bbox="199 1485 662 1518">AUTOADAPT with/without (Yes/No): NO</p> <p data-bbox="199 1545 279 1579"><b>Liquid:</b></p> <p data-bbox="199 1579 670 1612">Liquid temperature range: 0 .. 40 °C</p> <p data-bbox="199 1612 694 1646">Density: 998.2 kg/m<sup>3</sup></p> <p data-bbox="199 1673 319 1706"><b>Technical:</b></p> <p data-bbox="199 1706 630 1740">Max flow: 12 l/s</p> <p data-bbox="199 1740 702 1774">Type of impeller: SEMI OPEN</p> <p data-bbox="199 1774 646 1807">Maximum particle size: 30 mm</p> <p data-bbox="199 1807 662 1841">Primary shaft seal: SIC/SIC</p> <p data-bbox="199 1841 630 1874">Max. hydraulic efficiency: 62 %</p> <p data-bbox="199 1874 694 1908">Approvals on nameplate: LGA, ATEX</p> <p data-bbox="199 1908 774 1942">Curve tolerance: ISO9906:2012 3B2</p> <p data-bbox="199 1968 311 2002"><b>Materials:</b></p> <p data-bbox="199 2002 702 2038">Pump housing: Cast iron EN-GJL-250</p> <p data-bbox="199 2038 726 2074">Impeller: Cast iron EN-GJS-500-7</p>

Qty.	Description
1	<p>Installation:</p> <p>t max amb: 40 °C</p> <p>Maximum operating pressure: 6 bar</p> <p>Pump outlet: R 2</p> <p>Maximum installation depth: 10 m</p> <p>Auto-coupling: Y</p> <p>Electrical data:</p> <p>Power input - P1: 1.6 kW</p> <p>Rated power - P2: 1.1 kW</p> <p>Mains frequency: 50 Hz</p> <p>Rated voltage: 1 x 230 V</p> <p>Voltage tolerance: +6/-10 %</p> <p>Max starts per. hour: 30</p> <p>Rated current: 7.4 A</p> <p>Rated current at 3/4 load: 5.8 A</p> <p>Rated current at 1/2 load: 4.5 A</p> <p>Starting current: 38 A</p> <p>Rated current at no load: 2.6 A</p> <p>Cos phi - power factor: 0.97</p> <p>Cos phi - p.f. at 3/4 load: 0.96</p> <p>Cos phi - p.f. at 1/2 load: 0.89</p> <p>Rated speed: 2830 rpm</p> <p>Locked-rotor torque: 6.5 Nm</p> <p>Breakdown torque: 7 Nm</p> <p>Moment of inertia: 0.0037 kg m<sup>2</sup></p> <p>Motor efficiency at full load: 67 %</p> <p>Motor efficiency at 3/4 load: 66 %</p> <p>Motor efficiency at 1/2 load: 60 %</p> <p>Capacitor size - run: 30 µF</p> <p>Number of poles: 2</p> <p>Start. method: direct-on-line</p> <p>Enclosure class (IEC 34-5): IP68</p> <p>Insulation class (IEC 85): F</p> <p>Explosion proof: yes</p> <p>Ex-protection standard: EN50014/EN50018, class EEx d IIB T4</p> <p>Length of cable: 10 m</p> <p>Cable type: H07RN-F</p> <p>Type of cable plug: No plug</p> <p>Others:</p> <p>Net weight: 42 kg</p> <p>Danish VVS No.: 391292552</p> <p>Country of origin: HU</p> <p>Custom tariff no.: 84137021</p>

# 96106555 EF30.50.11.EX.2.1.502 50 Hz

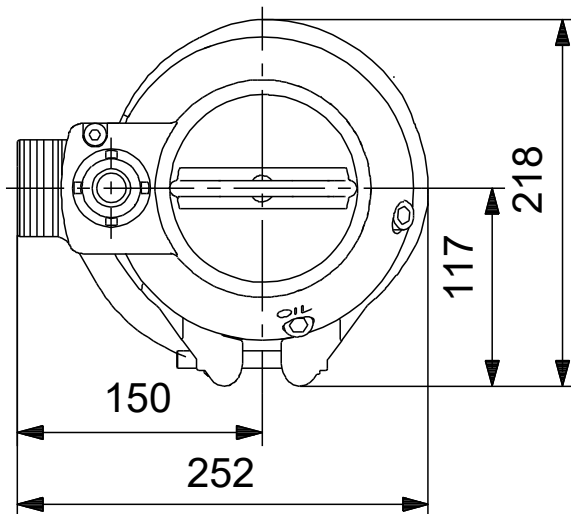
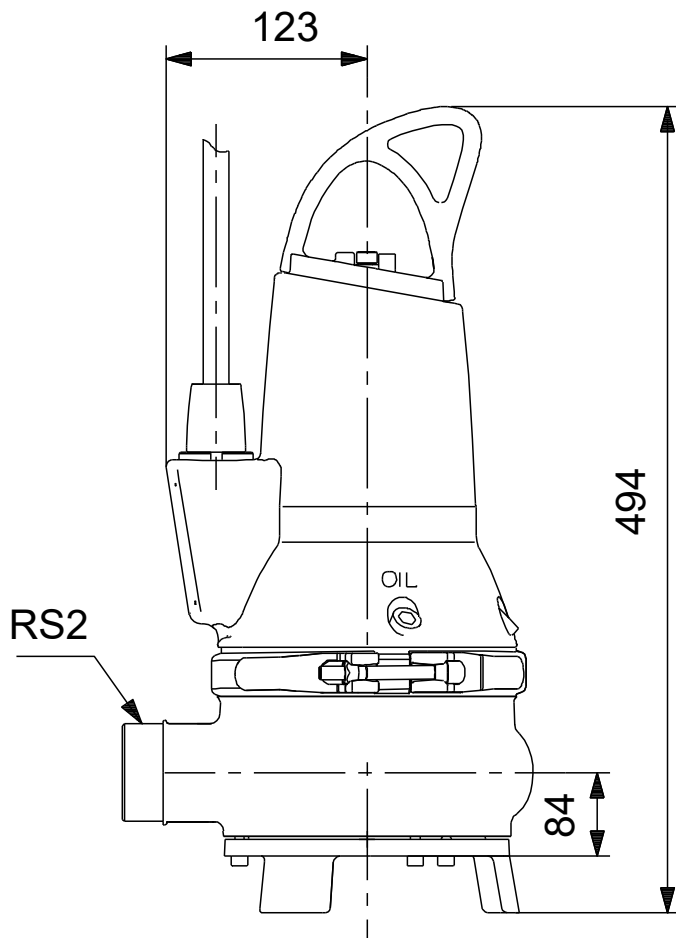


Description	Value
<b>General information:</b>	
Product name:	EF30.50.11.EX.2.1.502
Product No:	96106555
EAN number:	5700396854182
<b>Technical:</b>	
Max flow:	12 l/s
Head max:	19.3 m
Type of impeller:	SEMI OPEN
Maximum particle size:	30 mm
Primary shaft seal:	SIC/SIC
Max. hydraulic efficiency:	62 %
Approvals on nameplate:	LGA, ATEX
Curve tolerance:	ISO9906:2012 3B2
<b>Materials:</b>	
Pump housing:	Cast iron
Pump housing:	EN-GJL-250
Impeller:	Cast iron
Impeller:	EN-GJS-500-7
<b>Installation:</b>	
t max amb:	40 °C
Maximum operating pressure:	6 bar
Pump outlet:	R 2
Maximum installation depth:	10 m
Inst dry/wet:	S
Installation:	vertical
Auto-coupling:	Y
<b>Liquid:</b>	
Liquid temperature range:	0 .. 40 °C
Density:	998.2 kg/m <sup>3</sup>
<b>Electrical data:</b>	
Power input - P1:	1.6 kW
Rated power - P2:	1.1 kW
Mains frequency:	50 Hz
Rated voltage:	1 x 230 V
Voltage tolerance:	+6/-10 %
Max starts per. hour:	30
Rated current:	7.4 A
Rated current at 3/4 load:	5.8 A
Rated current at 1/2 load:	4.5 A
Starting current:	38 A
Rated current at no load:	2.6 A
Cos phi - power factor:	0.97
Cos phi - p.f. at 3/4 load:	0.96
Cos phi - p.f. at 1/2 load:	0.89
Rated speed:	2830 rpm
Locked-rotor torque:	6.5 Nm
Breakdown torque:	7 Nm
Moment of inertia:	0.0037 kg m <sup>2</sup>
Motor efficiency at full load:	67 %
Motor efficiency at 3/4 load:	66 %
Motor efficiency at 1/2 load:	60 %
Capacitor size - run:	30 µF
Number of poles:	2
Start. method:	direct-on-line
Enclosure class (IEC 34-5):	IP68
Insulation class (IEC 85):	F
Explosion proof:	yes
Ex-protection standard:	EN50014/EN50018, class EEx d IIB T4
Built-in motor protection:	THERMAL SWITCH
Thermal protec:	internal
Length of cable:	10 m
Cable type:	H07RN-F
Type of cable plug:	No plug



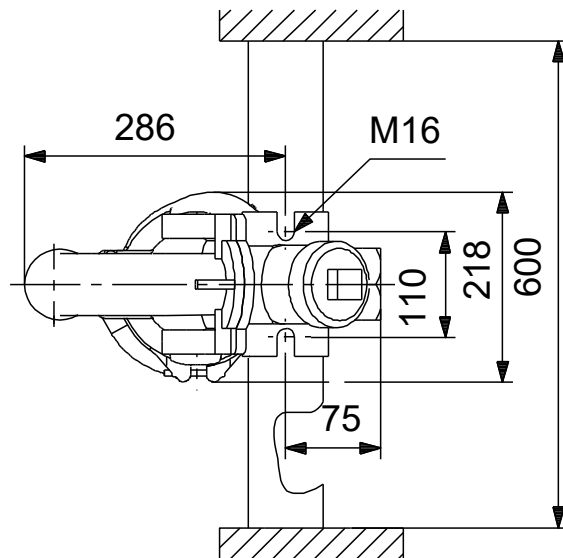
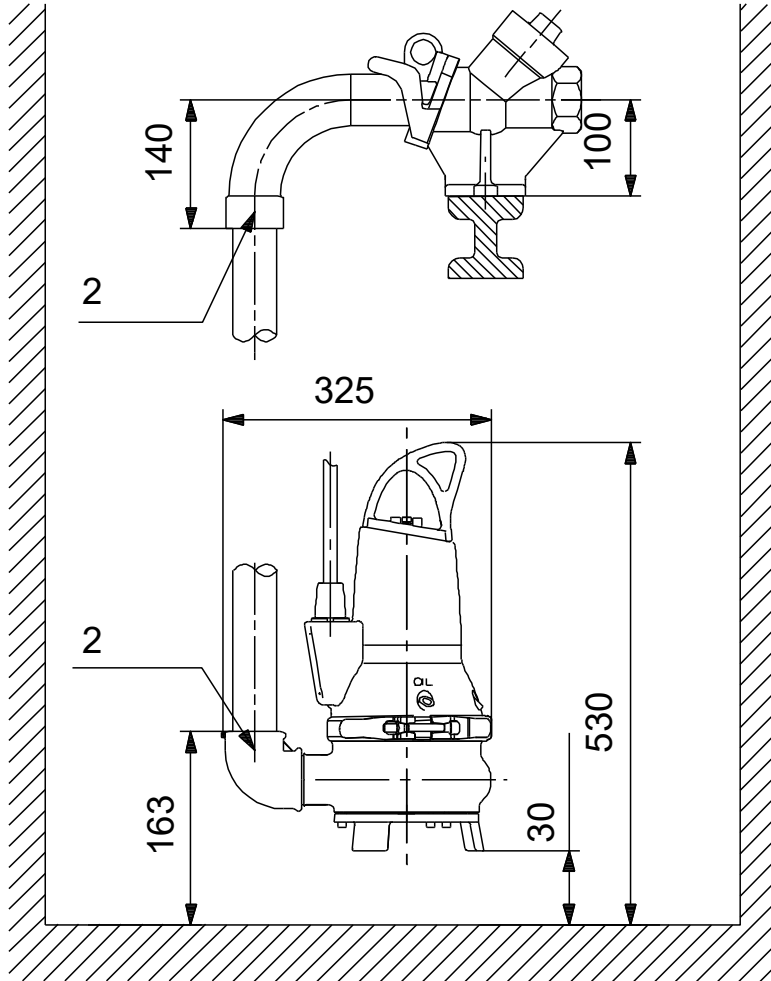
Description	Value
<b>Controls:</b>	
Control box:	not included
Additional I/O:	External
Moisture sensor:	without moisture sensors
Water-in-oil sensor:	without water-in-oil sensor
AUTOADAPT with/without (Yes/No):	NO
<b>Others:</b>	
Net weight:	42 kg
Danish VVS No.:	391292552
Country of origin:	HU
Custom tariff no.:	84137021

**96106555 EF30.50.11.EX.2.1.502 50 Hz**



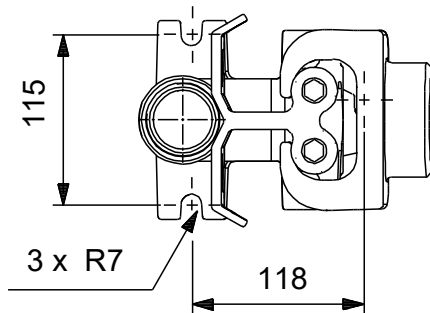
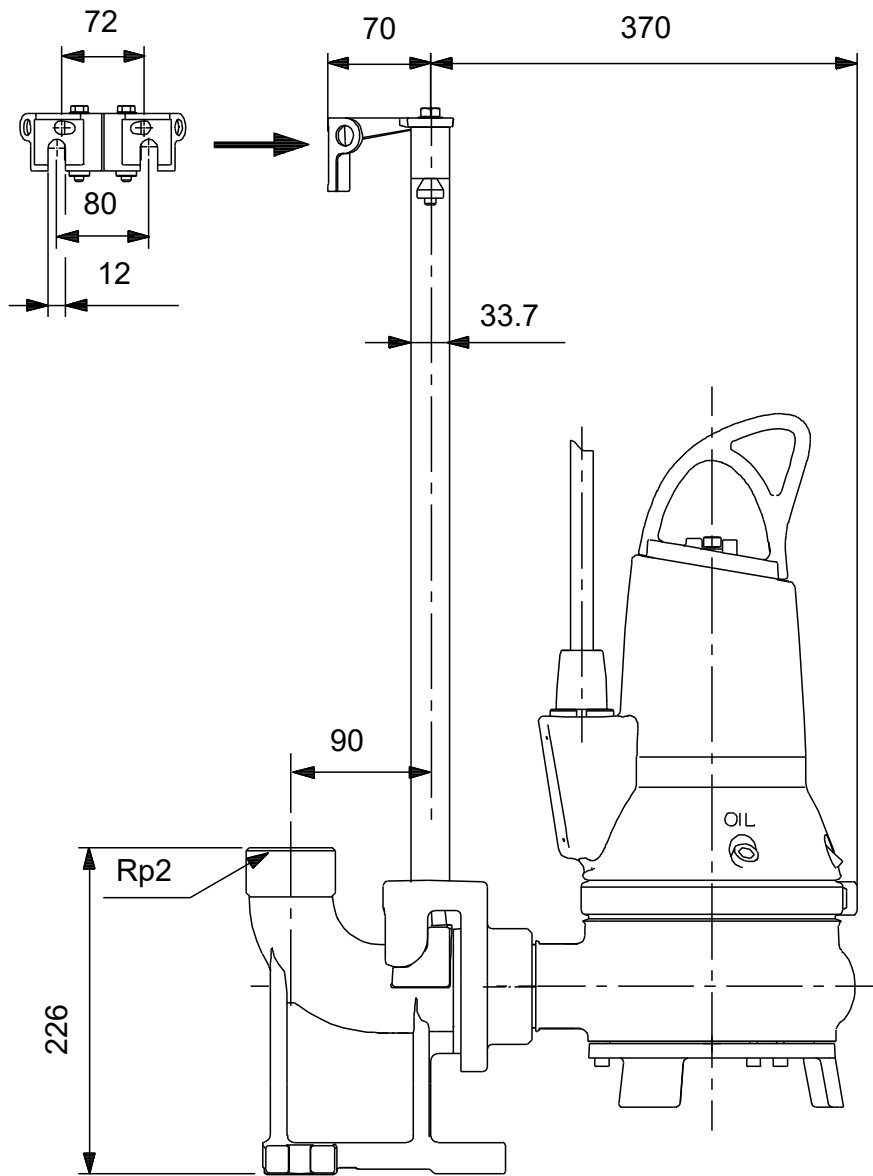
Note! All units are in [mm] unless others are stated.  
Disclaimer: This simplified dimensional drawing does not show all details.

# 96106555 EF30.50.11.EX.2.1.502 50 Hz



Note! All units are in [mm] unless others are stated.  
Disclaimer: This simplified dimensional drawing does not show all details.

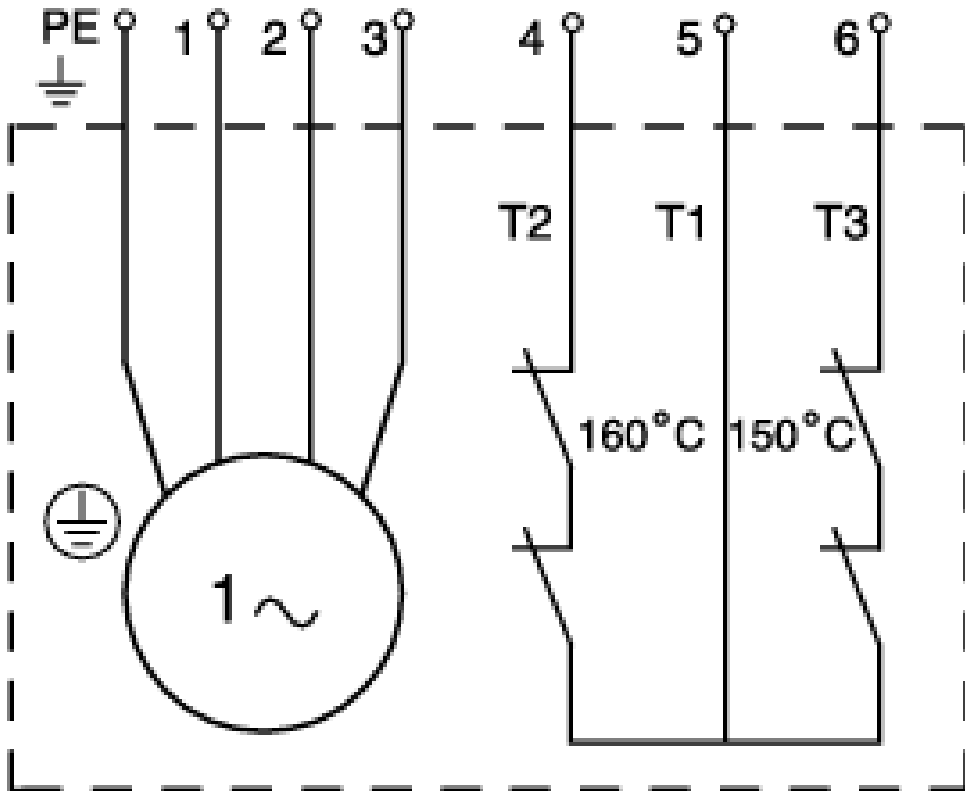
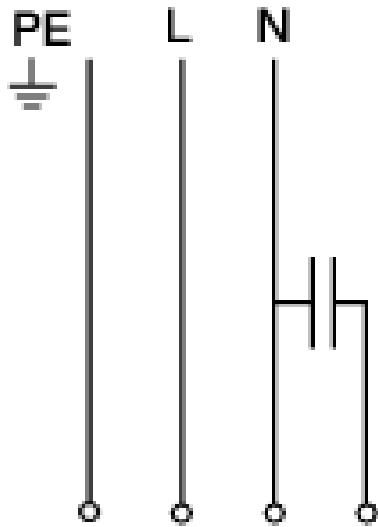
# 96106555 EF30.50.11.EX.2.1.502 50 Hz



Note! All units are in [mm] unless others are stated.  
Disclaimer: This simplified dimensional drawing does not show all details.



96106555 EF30.50.11.EX.2.1.502 50 Hz



Note! All units are in [mm] unless others are stated.

**Order Data:**

Position	Your pos.	Product name	Amount	Product No	Total
		EF30.50.11.EX.2.1.502	1	96106555	Price on request