

Qty. Description

1 CRT 2-18 A-P-A-E-AUUE



Note! Product picture may differ from actual product

Product No.: [96100311](#)

Vertical, non-self-priming, multistage, in-line, centrifugal pump for installation in pipe systems and mounting on a foundation.

The pump has the following characteristics:

- Impellers, intermediate chambers and outer sleeve are made of Titanium.
- Pump head cover and base are made of Titanium.
- The shaft seal has assembly length according to EN 12756.
- Power transmission is via cast iron split coupling.
- Pipework connection is via PJE flanges/couplings.

The motor is a 3-phase AC motor.

Liquid:

Pumped liquid: Water
 Minimum liquid temperature: -20 °C
 Maximum liquid temperature: 120 °C
 Selected liquid temperature: 20 °C
 Density: 998.2 kg/m³

Technical:

Pump speed on which pump data are based: 2900 rpm
 Rated flow: 2.5 m³/h
 Rated head: 104 m
 Code for shaft seal: AUUE
 Approvals: CE,EAC,UKCA,SEPRO
 Curve tolerance: ISO9906:2012 3B

Materials:

Pump housing: Titanium
 Impeller: Titanium
 ASTM B 265
 Bearing: SIC

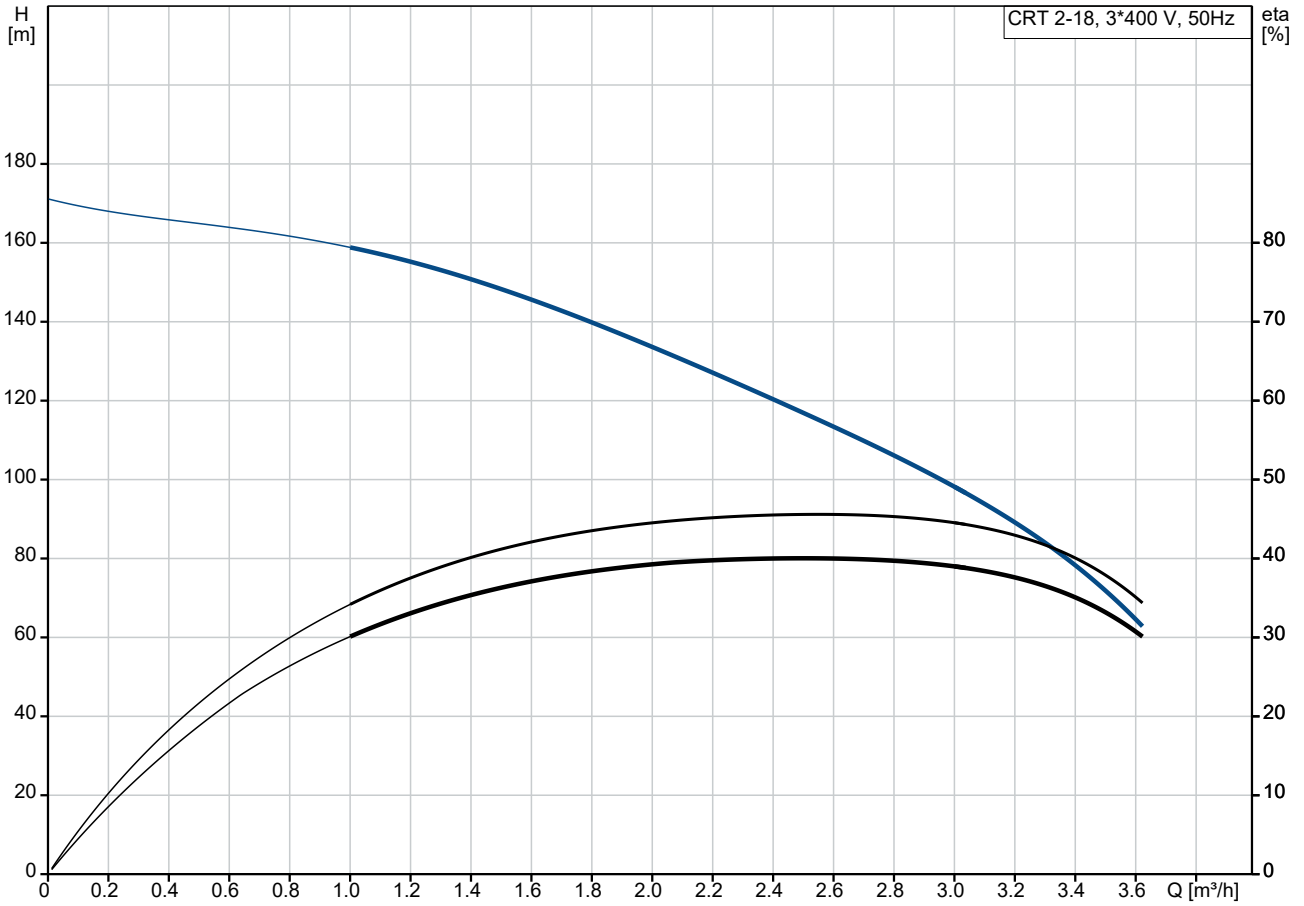
Installation:

Max. ambient temperature: 60 °C
 Maximum operating pressure: 25 bar
 Max pressure at stated temp: 25 bar / 120 °C
 25 bar / -20 °C
 Type of connection: PJE
 Pipe connection: 42,4 mm

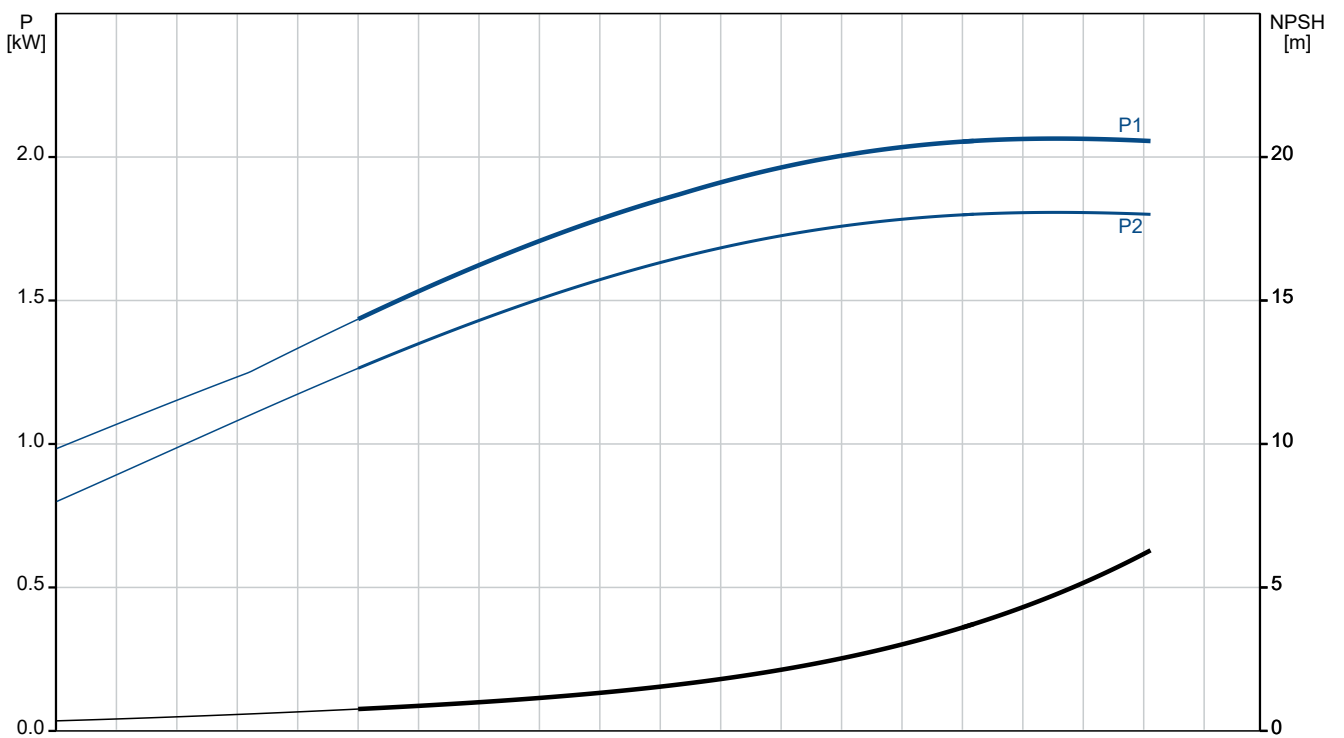
Qty. Description

1	<p>Flange size for motor: FT115</p> <p>Electrical data:</p> <p>Motor standard: IEC</p> <p>Motor type: 90LE</p> <p>IE Efficiency class: IE3</p> <p>Rated power - P2: 2.2 kW</p> <p>Power (P2) required by pump: 2.2 kW 2.2 kW</p> <p>Mains frequency: 50 Hz</p> <p>Rated voltage: 3 x 220-240D/380-415Y V</p> <p>Rated current: 8.00/4.60 A</p> <p>Starting current: 840-920 %</p> <p>Cos phi - power factor: 0.86-0.80</p> <p>Rated speed: 2890-2910 rpm</p> <p>Efficiency: IE3 85,9%</p> <p>Motor efficiency at full load: 85.9-85.9 %</p> <p>Motor efficiency at 3/4 load: 88.2 %</p> <p>Motor efficiency at 1/2 load: 88.0 %</p> <p>Number of poles: 2</p> <p>Enclosure class (IEC 34-5): 55 Dust/Jetting</p> <p>Insulation class (IEC 85): F</p> <p>Motor No: 85U01908</p> <p>Others:</p> <p>Minimum efficiency index, MEI ≥: 0.7</p> <p>Net weight: 36.9 kg</p> <p>Gross weight: 41.9 kg</p> <p>Danish VVS No.: 386051318</p> <p>Country of origin: DK</p> <p>Custom tariff no.: 84137075</p>
---	--

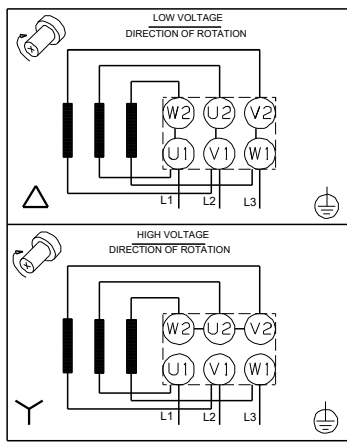
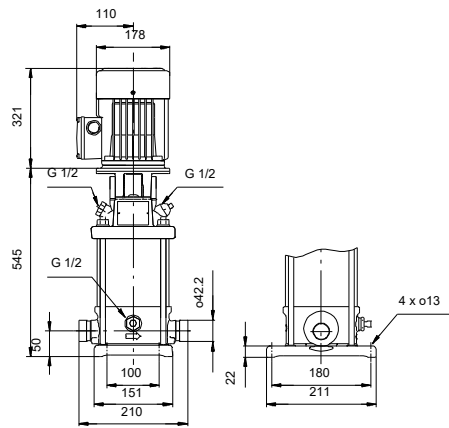
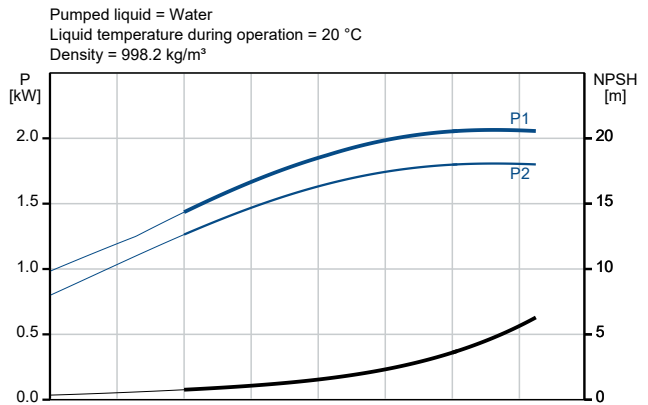
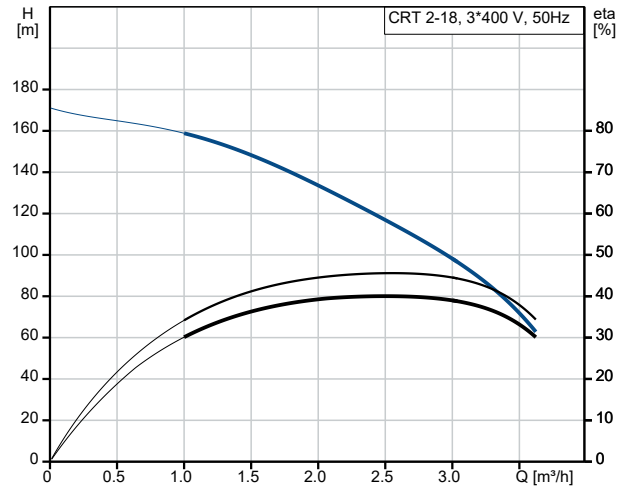
96100311 CRT 2-18 A-P-A-E-AUUE 50 Hz



Pumped liquid = Water
 Liquid temperature during operation = 20 °C
 Density = 998.2 kg/m³



Description	Value
General information:	
Product name:	CRT 2-18 A-P-A-E-AUUE
Product No:	96100311
EAN number:	5700395842692
Technical:	
Pump speed on which pump data are based:	2900 rpm
Rated flow:	2.5 m ³ /h
Rated head:	104 m
Maximum head:	169 m
Stages:	18
Impellers:	18
Code for shaft seal:	AUUE
Approvals:	CE,EAC,UKCA,SEPRO
Curve tolerance:	ISO9906:2012 3B
Pump version:	A
Model:	A
Materials:	
Pump housing:	Titanium
Impeller:	Titanium
Impeller:	ASTM B 265
Material code:	A
Code for rubber:	E
Bearing:	SIC
Installation:	
Max. ambient temperature:	60 °C
Maximum operating pressure:	25 bar
Max pressure at stated temp:	25 bar / 120 °C
Max pressure at stated temp:	25 bar / -20 °C
Type of connection:	PJE
Pipe connection:	42,4 mm
Flange size for motor:	FT115
Connect code:	P
Liquid:	
Pumped liquid:	Water
Minimum liquid temperature:	-20 °C
Maximum liquid temperature:	120 °C
Selected liquid temperature:	20 °C
Density:	998.2 kg/m ³
Electrical data:	
Motor standard:	IEC
Motor type:	90LE
IE Efficiency class:	IE3
Rated power - P2:	2.2 kW
Power (P2) required by pump:	2.2 kW
Power (P2) required by pump:	2.2 kW
Mains frequency:	50 Hz
Rated voltage:	3 x 220-240D/380-415Y V
Rated current:	8.00/4.60 A
Starting current:	840-920 %
Cos phi - power factor:	0.86-0.80
Rated speed:	2890-2910 rpm
Efficiency:	IE3 85,9%
Motor efficiency at full load:	85.9-85.9 %
Motor efficiency at 3/4 load:	88.2 %
Motor efficiency at 1/2 load:	88.0 %





Company name:

Created by:

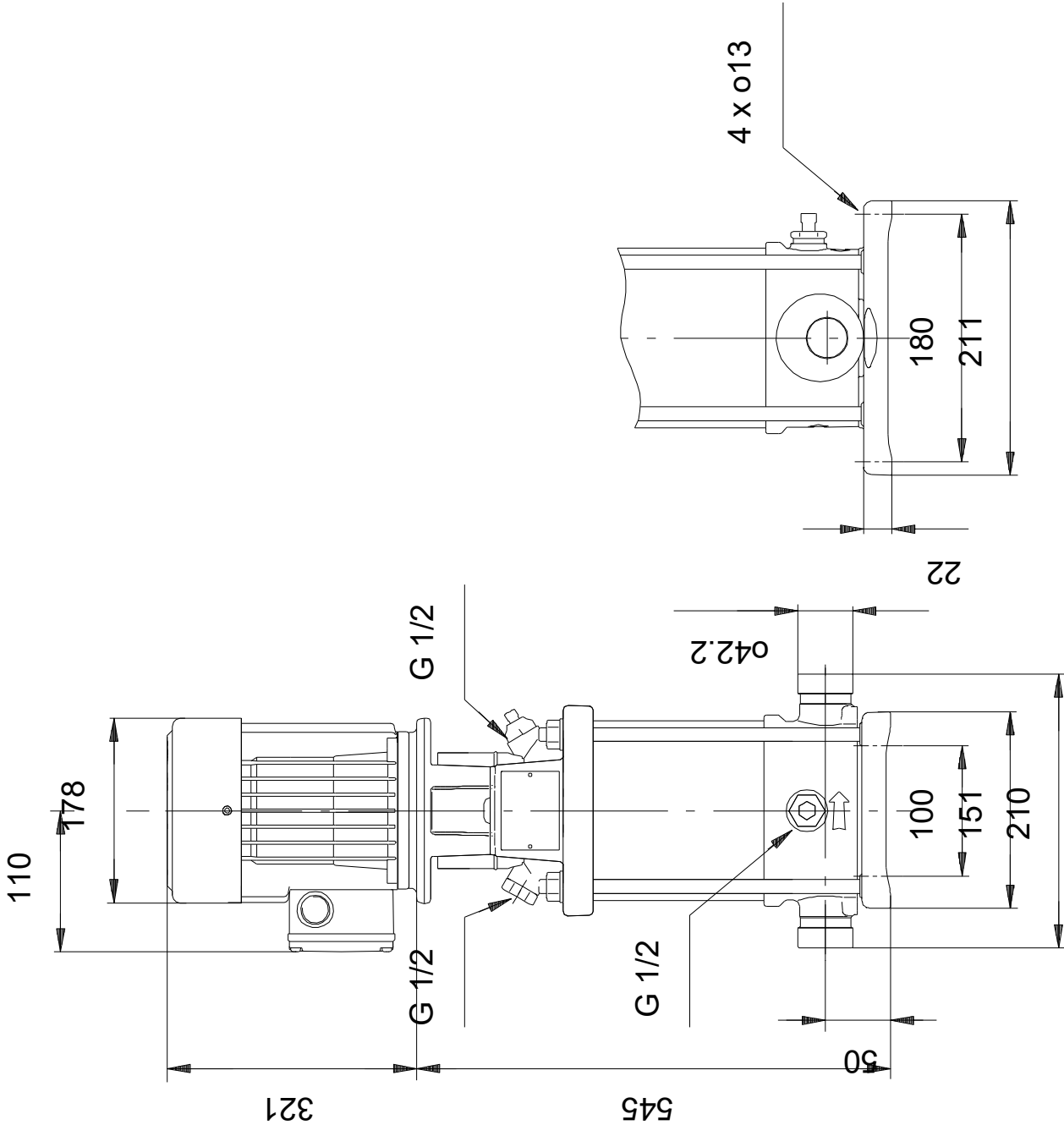
Phone:

Date:

22/12/2022

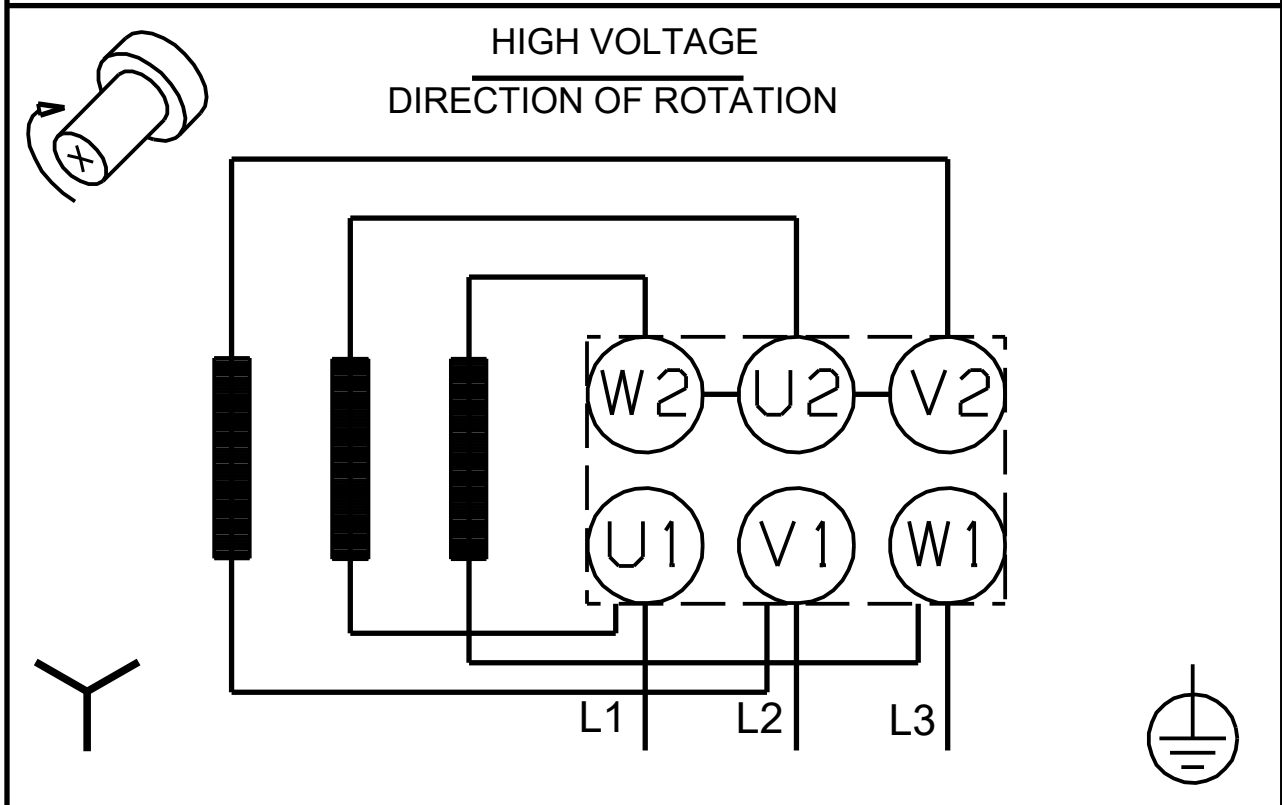
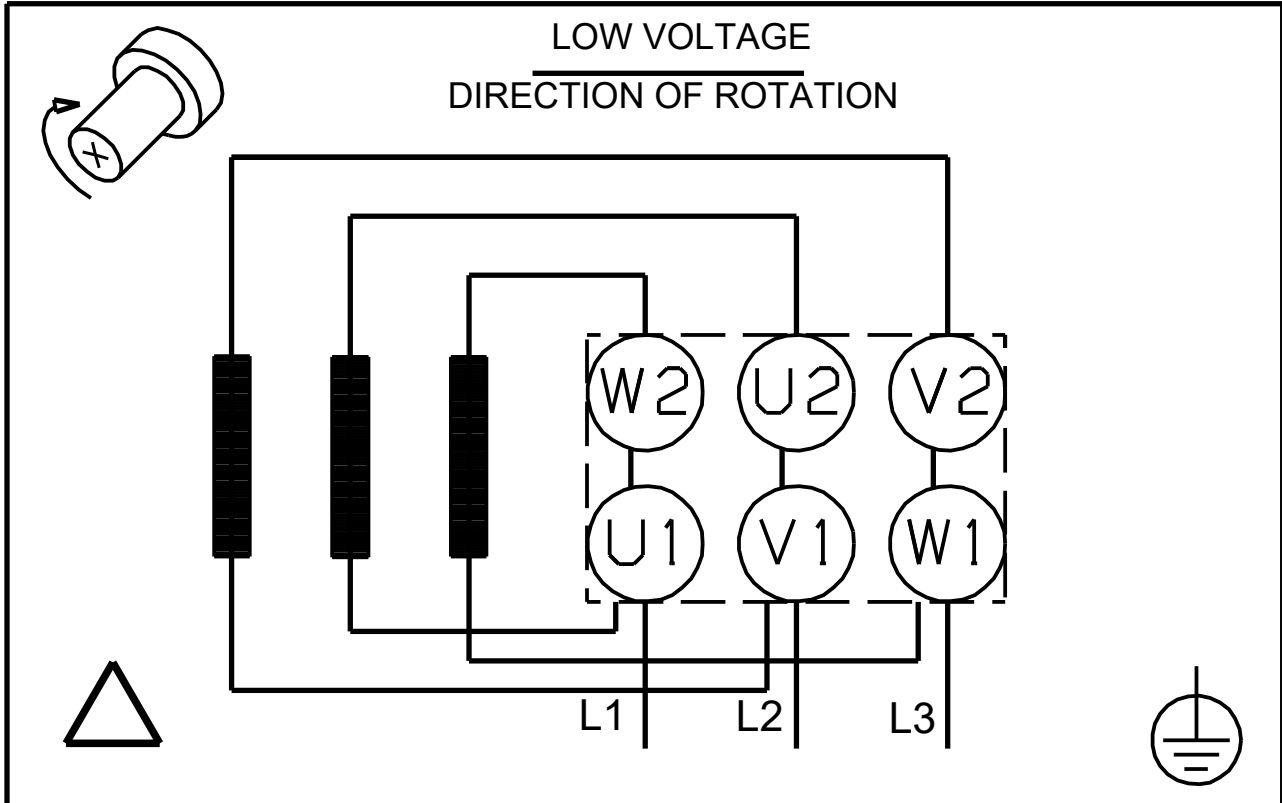
Description	Value
Number of poles:	2
Enclosure class (IEC 34-5):	55 Dust/Jetting
Insulation class (IEC 85):	F
Built-in motor protection:	NONE
Motor No:	85U01908
Others:	
Minimum efficiency index, MEI ≥:	0.7
Net weight:	36.9 kg
Gross weight:	41.9 kg
Danish VVS No.:	386051318
Country of origin:	DK
Custom tariff no.:	84137075

96100311 CRT 2-18 A-P-A-E-AUUE 50 Hz



Note! All units are in [mm] unless others are stated.
Disclaimer: This simplified dimensional drawing does not show all details.

96100311 CRT 2-18 A-P-A-E-AUUE 50 Hz



Note! All units are in [mm] unless others are stated.



Company name:

Created by:

Phone:

Date: 22/12/2022

Order Data:

Position	Your pos.	Product name	Amount	Product No	Total
		CRT 2-18	1	96100311	Price on request