

**Qty. Description**

1 CRT 2-15 A-P-A-E-AUUE



Note! Product picture may differ from actual product

Product No.: [96100310](#)

Vertical, non-self-priming, multistage, in-line, centrifugal pump for installation in pipe systems and mounting on a foundation.

The pump has the following characteristics:

- Impellers, intermediate chambers and outer sleeve are made of Titanium.
- Pump head cover and base are made of Titanium.
- The shaft seal has assembly length according to EN 12756.
- Power transmission is via cast iron split coupling.
- Pipework connection is via PJE flanges/couplings.

The motor is a 3-phase AC motor.

**Liquid:**

Pumped liquid: Water  
Minimum liquid temperature: -20 °C  
Maximum liquid temperature: 120 °C  
Selected liquid temperature: 20 °C  
Density: 998.2 kg/m<sup>3</sup>

**Technical:**

Pump speed on which pump data are based: 2900 rpm  
Rated flow: 2.5 m<sup>3</sup>/h  
Rated head: 83.1 m  
Code for shaft seal: AUUE  
Approvals: CE, EAC, UKCA, SEPRO  
Curve tolerance: ISO9906:2012 3B

**Materials:**

Pump housing: Titanium  
Impeller: Titanium  
ASTM B 265  
Bearing: SIC

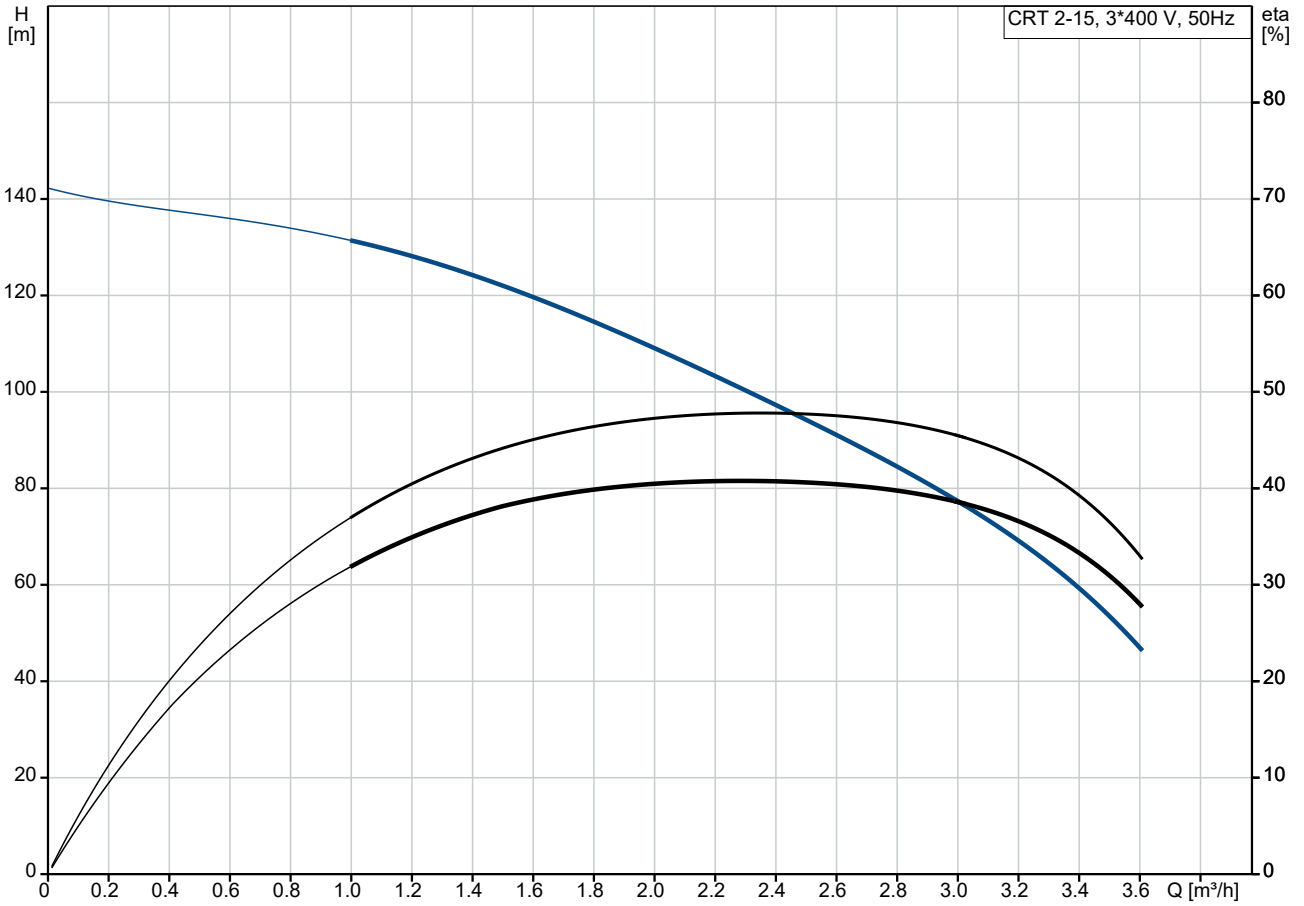
**Installation:**

Max. ambient temperature: 60 °C  
Maximum operating pressure: 25 bar  
Max pressure at stated temp: 25 bar / 120 °C  
25 bar / -20 °C  
Type of connection: PJE  
Pipe connection: 42,4 mm

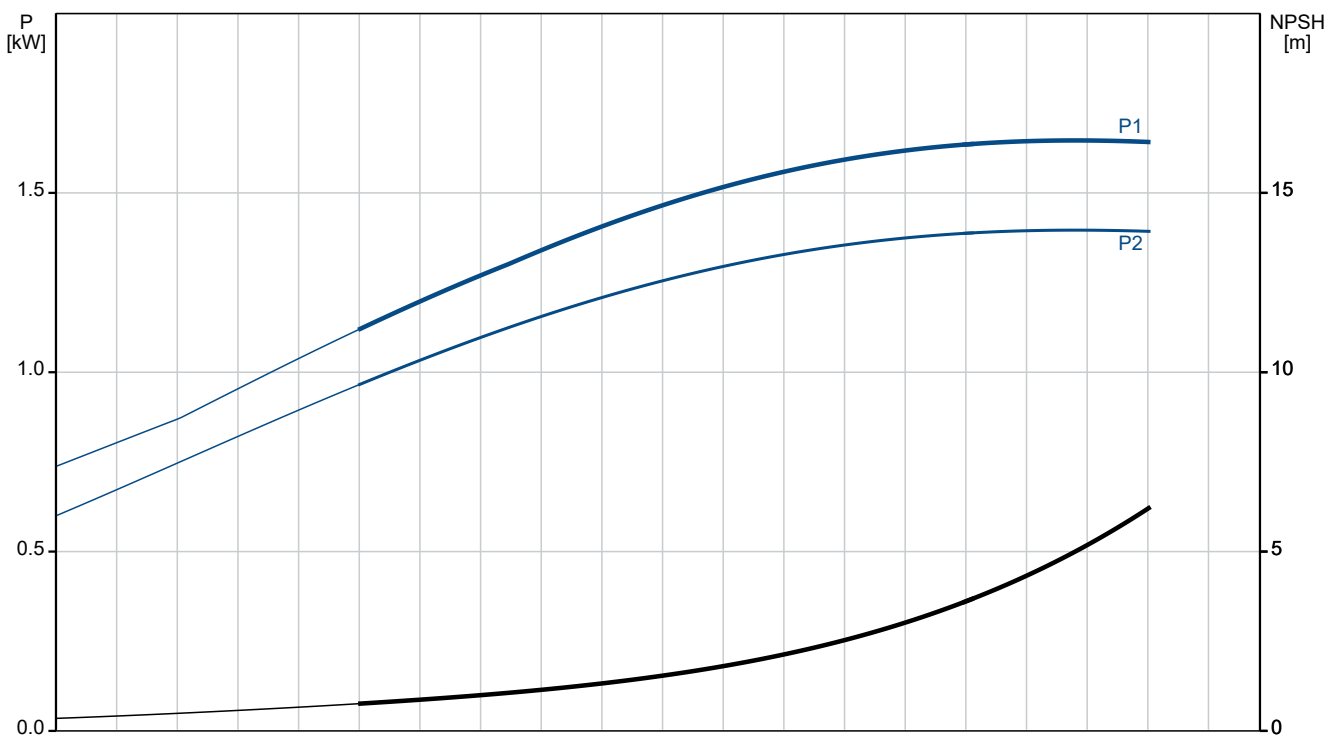
**Qty. Description**

1	<p>Flange size for motor: FT115</p> <p>Electrical data:</p> <p>Motor standard: IEC</p> <p>Motor type: 90SD</p> <p>IE Efficiency class: IE3</p> <p>Rated power - P2: 1.5 kW</p> <p>Power (P2) required by pump: 1.5 kW</p> <p>Mains frequency: 50 Hz</p> <p>Rated voltage: 3 x 220-240D/380-415Y V</p> <p>Rated current: 5.70/3.30 A</p> <p>Starting current: 750-820 %</p> <p>Cos phi - power factor: 0.84-0.78</p> <p>Rated speed: 2890-2910 rpm</p> <p>Efficiency: IE3 84,2%</p> <p>Motor efficiency at full load: 84.2-84.2 %</p> <p>Motor efficiency at 3/4 load: 86.4 %</p> <p>Motor efficiency at 1/2 load: 86.0 %</p> <p>Number of poles: 2</p> <p>Enclosure class (IEC 34-5): 55 Dust/Jetting</p> <p>Insulation class (IEC 85): F</p> <p>Motor No: 85U01906</p> <p>Others:</p> <p>Minimum efficiency index, MEI <math>\geq</math>: 0.7</p> <p>Net weight: 31.2 kg</p> <p>Gross weight: 36.2 kg</p> <p>Shipping volume: 0.074 m<sup>3</sup></p> <p>Danish VVS No.: 386051315</p> <p>Country of origin: DK</p> <p>Custom tariff no.: 84137075</p>
---	---

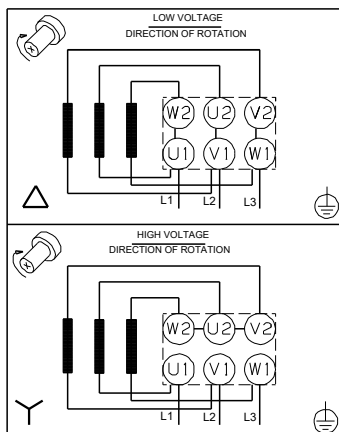
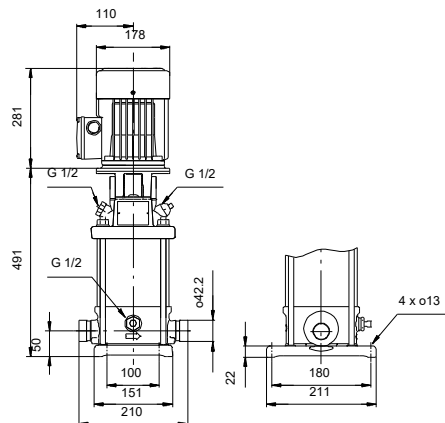
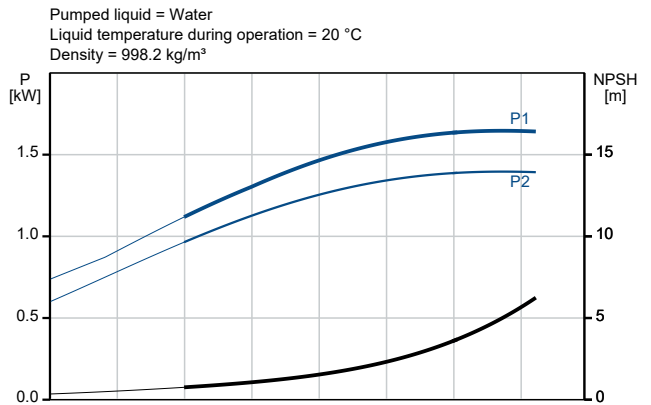
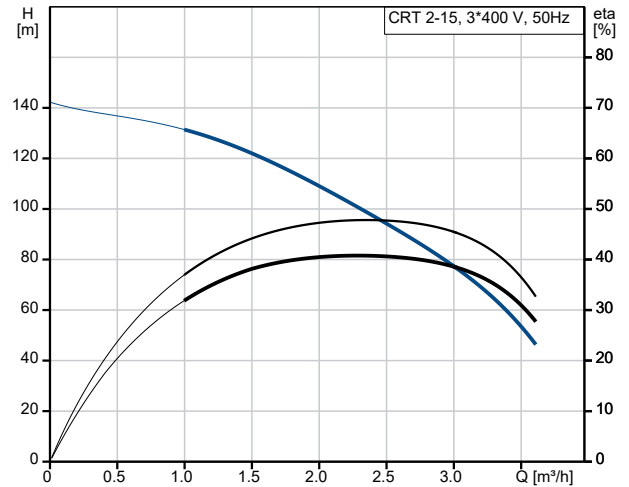
## 96100310 CRT 2-15 A-P-A-E-AUUE 50 Hz



Pumped liquid = Water  
Liquid temperature during operation = 20 °C  
Density = 998.2 kg/m³



Description	Value
<b>General information:</b>	
Product name:	CRT 2-15 A-P-A-E-AUUE
Product No:	96100310
EAN number:	5700395842814
<b>Technical:</b>	
Pump speed on which pump data are based:	2900 rpm
Rated flow:	2.5 m <sup>3</sup> /h
Rated head:	83.1 m
Maximum head:	139 m
Stages:	15
Impellers:	15
Code for shaft seal:	AUUE
Approvals:	CE,EAC,UKCA,SEPRO
<b>Curve tolerance:</b>	
Curve tolerance:	ISO9906:2012 3B
Pump version:	A
Model:	A
<b>Materials:</b>	
Pump housing:	Titanium
Impeller:	Titanium
Impeller:	ASTM B 265
Material code:	A
Code for rubber:	E
Bearing:	SIC
<b>Installation:</b>	
Max. ambient temperature:	60 °C
Maximum operating pressure:	25 bar
Max pressure at stated temp:	25 bar / 120 °C
Max pressure at stated temp:	25 bar / -20 °C
Type of connection:	PJE
Pipe connection:	42,4 mm
Flange size for motor:	FT115
Connect code:	P
<b>Liquid:</b>	
Pumped liquid:	Water
Minimum liquid temperature:	-20 °C
Maximum liquid temperature:	120 °C
Selected liquid temperature:	20 °C
Density:	998.2 kg/m <sup>3</sup>
<b>Electrical data:</b>	
Motor standard:	IEC
Motor type:	90SD
IE Efficiency class:	IE3
Rated power - P2:	1.5 kW
Power (P2) required by pump:	1.5 kW
Power (P2) required by pump:	1.5 kW
Mains frequency:	50 Hz
Rated voltage:	3 x 220-240D/380-415Y V
Rated current:	5.70/3.30 A
Starting current:	750-820 %
Cos phi - power factor:	0.84-0.78
Rated speed:	2890-2910 rpm
Efficiency:	IE3 84,2%
Motor efficiency at full load:	84.2-84.2 %
Motor efficiency at 3/4 load:	86.4 %
Motor efficiency at 1/2 load:	86.0 %





Company name:

Created by:

Phone:

Date:

22/12/2022

Description	Value
Number of poles:	2
Enclosure class (IEC 34-5):	55 Dust/Jetting
Insulation class (IEC 85):	F
Built-in motor protection:	NONE
Motor No:	85U01906
<b>Others:</b>	
Minimum efficiency index, MEI ≥:	0.7
Net weight:	31.2 kg
Gross weight:	36.2 kg
Shipping volume:	0.074 m <sup>3</sup>
Danish VVS No.:	386051315
Country of origin:	DK
Custom tariff no.:	84137075



Company name:

Created by:

Phone:

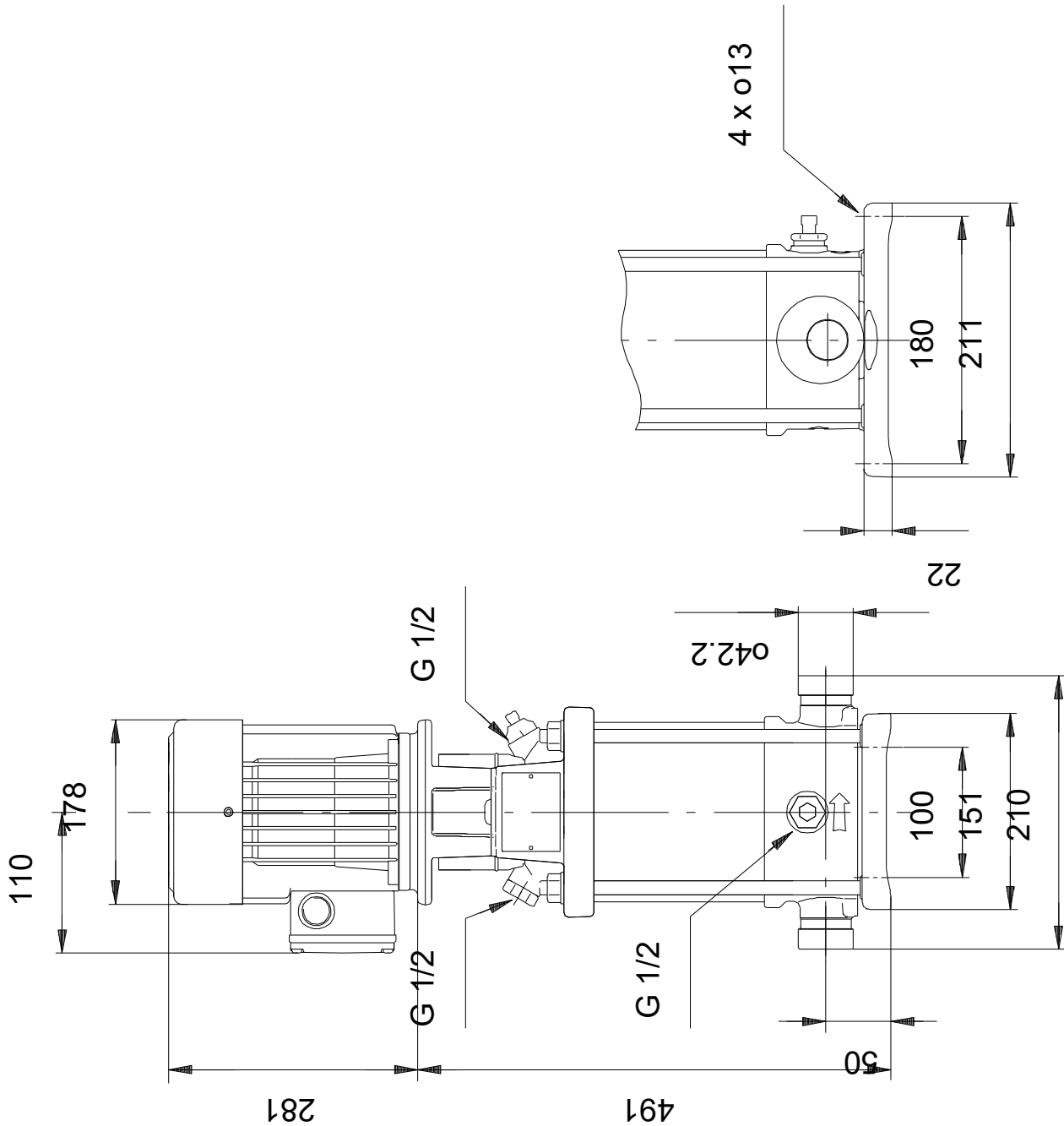
Date:

22/12/2022

---

**96100310 CRT 2-15 A-P-A-E-AUUE 50 Hz**

## 96100310 CRT 2-15 A-P-A-E-AUUE 50 Hz



Note! All units are in [mm] unless others are stated.  
Disclaimer: This simplified dimensional drawing does not show all details.

**96100310 CRT 2-15 A-P-A-E-AUUE 50 Hz**



Note! All units are in [mm] unless others are stated.



