

Receiver

From

Company
Reference
Address
Phone
Fax
E-mail

Item n° : Customer pos. no.:

60187268

Model :

EVOSTA2 11/139 SAN V

Pump data

Pressure rating : 1 MPa
Min. fluid temperature : 2 °C
Max. fluid temperature : 75 °C
EEI : ≤

Minimum suction head :

Temperature °C 90
Minimum suction head : m 10

Requested data

Flow :
Head :
Fluid (%) :
Fluid Temperature : 20 °C
Density : 998,3 kg/m³
Kinematic viscosity : 1,005 mm²/s
Vapor pressure : 0,00 MPa

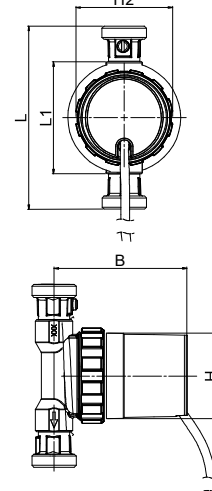
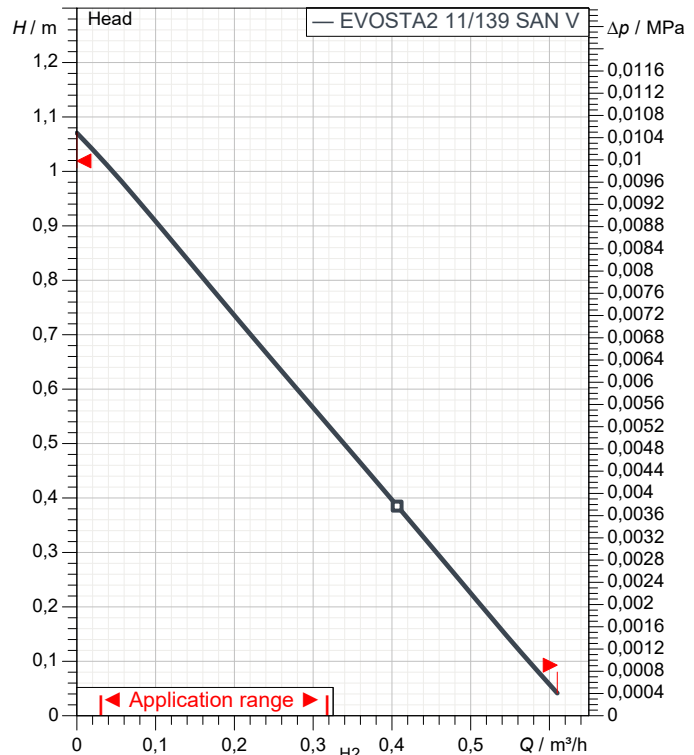
Hydraulic data (duty point)

Flow :
Head :

Materials

Pump body Brass

Curve tolerance according to ISO 9906



Motor data

Motor brand : DAB
Power input P1 : 0,007 kW
Rated voltage : 1~ 230 V 50 Hz
Nominal current : 0,07 A
Degree of protection : IP 42

Dimensions in mm

B	100						
H	65						
H2	72						
L	139						

Weight : 1,065 kg

Pump connection

Suction side : 1 " G
Discharge side : 1 " G



PERFORMANCE CURVES

2023-03-17

Page 2 / 3

DAB PUMPS S.p.A.
Via Marco Polo, 14 - 35035 Mestrino (PD), Italy
Tel. +39 049 5125000 - Fax +39 049 5125950
www.dabpumps.com

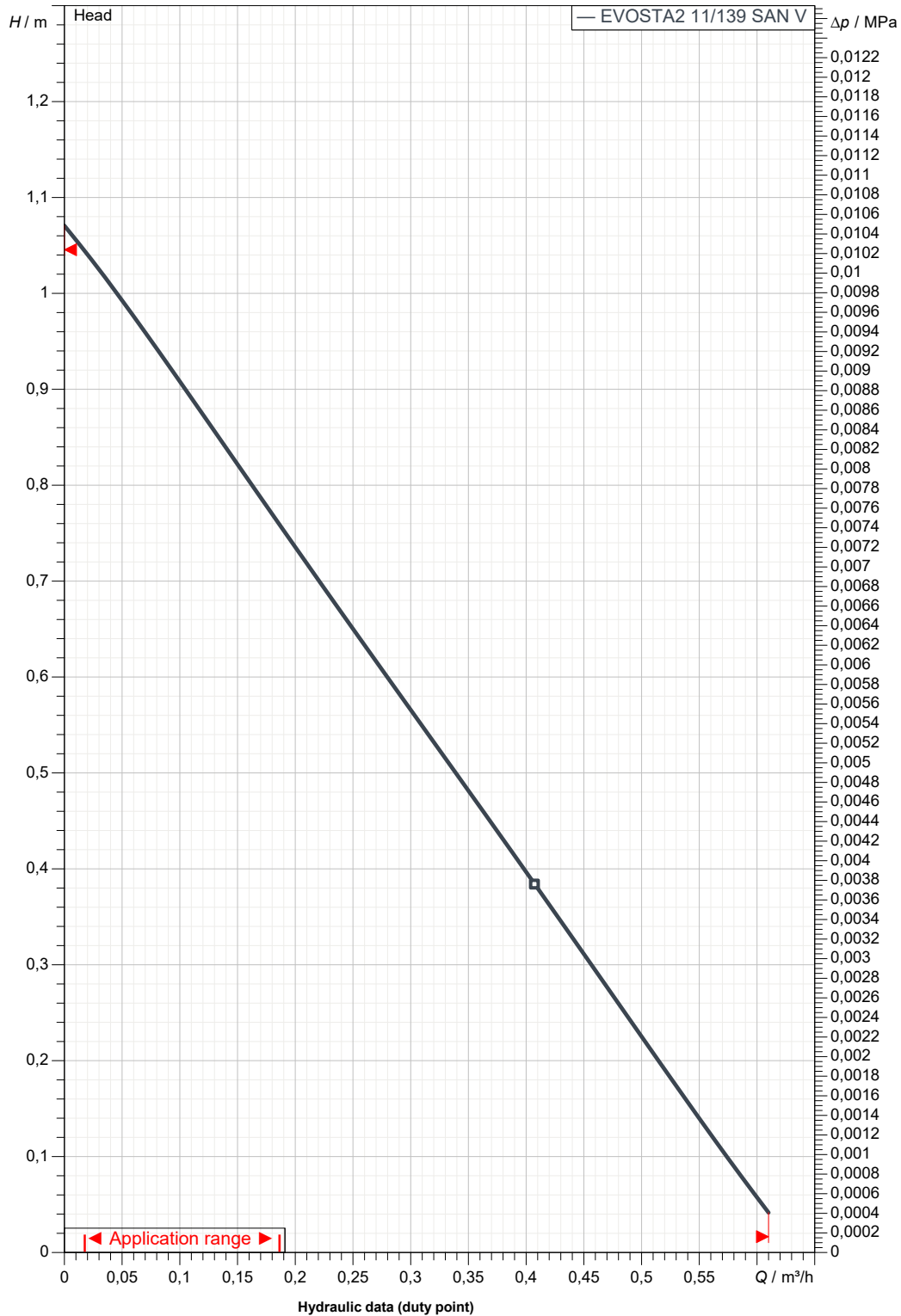
Receiver

From

Company
Reference
Address
Phone
Fax
E-mail

EVOSTA2 11/139 SAN V

Curve tolerance according to ISO 9906



Suction side :
1" G
1 MPa

Discharge side :
1" G
1 MPa

Flow :

Head :

Rated speed :
2.900 1/min

MAIN_PROJECT_TITLE

BUSINESS_PROCESS_IT

OWNER_

ISSUE_DATE
2023-03-17



DIMENSIONAL DRAWING

DAB PUMPS S.p.A.
Via Marco Polo, 14 - 35035 Mestrino (PD), Italy
Tel. +39 049 5125000 - Fax +39 049 5125950
www.dabpumps.com

2023-03-17

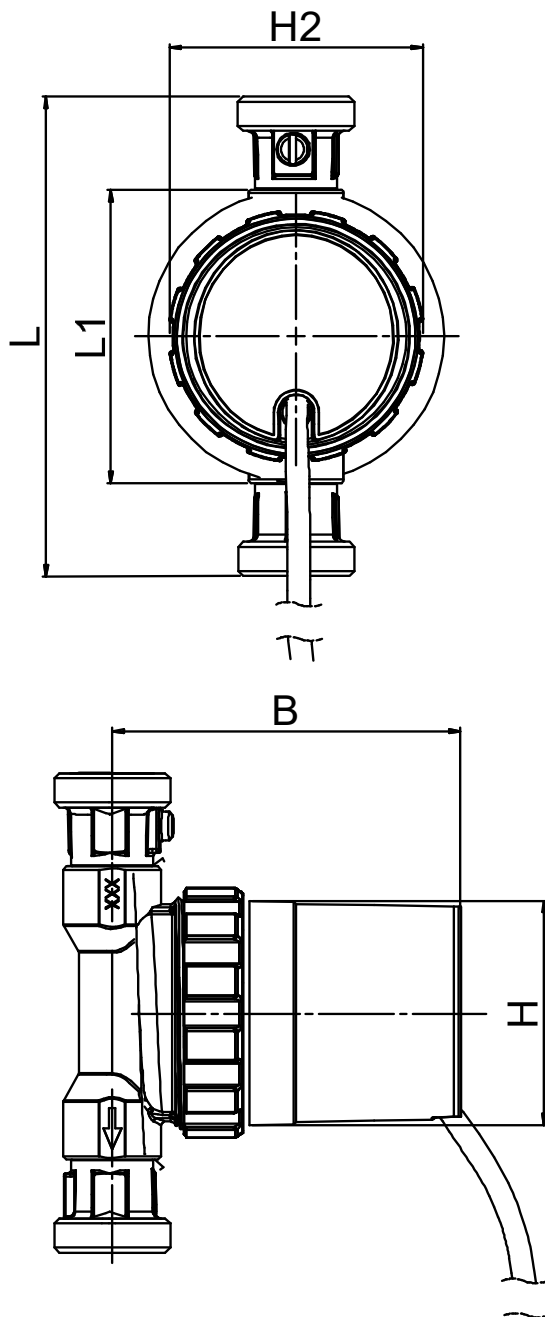
Page 3 / 3

Receiver

From

Company
Reference
Address
Phone
Fax
E-mail

EVOSTA2 11/139 SAN V



Dimensions in mm				Pump connection	
1	B	100			
2	H	65			Suction
3	H2	72			1" G
4	L	139			1 MPa
5					
6					
7					Discharge
8					1" G
9					1 MPa
10					
11					

MAIN_PROJECT_TITLE	BUSINESS_PROCESS_ID	OWNER	ISSUE_DATE 2023-03-17
--------------------	---------------------	-------	---------------------------------