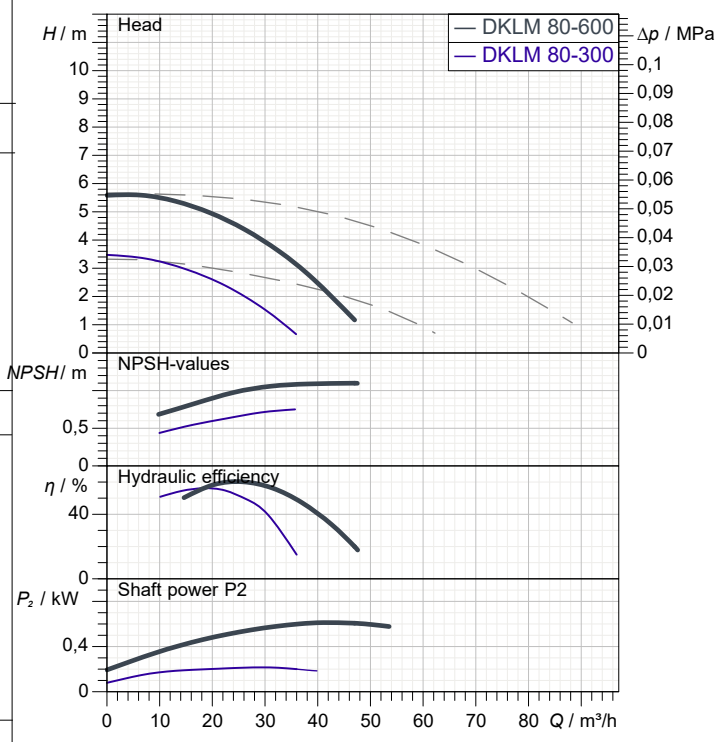
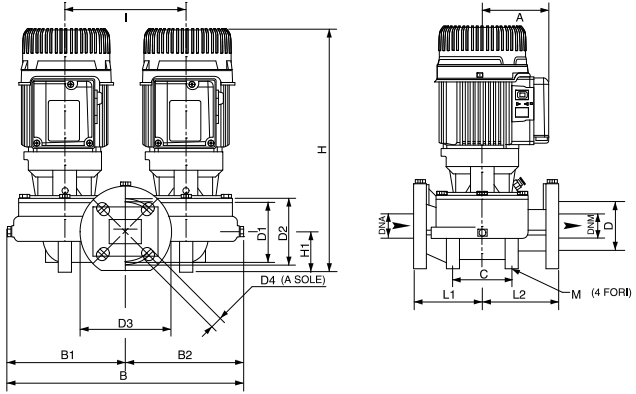


| Receiver | | From | | | | | | | | | | | | | | | | | | | | | | | | | | | | | | | | | | | | | | | | | | | | | | | | | | | | | |
|--|-----|--|-------------|----|-----------|------------------|--|---|-----|----|-----|----|-----|---|-----|----|-------------|---|-----------|----|-----|-----|----|--|--|----|-----|-----|----|--|--|---|-----|----|----|--|--|---|-----|---|-----|--|--|----|-----|---|-----|--|--|----|-----|----|-----|--|--|
| Company Reference Address Phone Fax E-mail | | | | | | | | | | | | | | | | | | | | | | | | | | | | | | | | | | | | | | | | | | | | | | | | | | | | | | | |
| Item n° : 60180059 Model : DKLM 80-600 T Customer pos. no.: | | Curve tolerance according to ISO 9906 Number of working motors : 1 | | | | | | | | | | | | | | | | | | | | | | | | | | | | | | | | | | | | | | | | | | | | | | | | | | | | | |
| Pump data | |  | | | | | | | | | | | | | | | | | | | | | | | | | | | | | | | | | | | | | | | | | | | | | | | | | | | | | |
| Requested data Flow : Head : Fluid (%) : Fluid Temperature : 20 °C Density : 998,3 kg/m³ Kinematic viscosity : 1,005 mm²/s Vapor pressure : 0,00 MPa | | | | | | | | | | | | | | | | | | | | | | | | | | | | | | | | | | | | | | | | | | | | | | | | | | | | | | | |
| Hydraulic data (duty point) | | | | | | | | | | | | | | | | | | | | | | | | | | | | | | | | | | | | | | | | | | | | | | | | | | | | | | | |
| Flow : Head : NPSH : Shaft power P2 : Efficiency : | | | | | | | | | | | | | | | | | | | | | | | | | | | | | | | | | | | | | | | | | | | | | | | | | | | | | | | |
| Materials | |  | | | | | | | | | | | | | | | | | | | | | | | | | | | | | | | | | | | | | | | | | | | | | | | | | | | | | |
| Pump body: Cast iron 250 UNI ISO 185 Support: Cast iron 250 UNI ISO 185 Impeller: Technopolymer B Mechanical seal: Carbon/Ceramic O-Ring: EPDM Rubber Shaft with rotor: AISI 303 X10 CrNiS 1809 UNI 6900/71 | | Weight : 70 kg | | | | | | | | | | | | | | | | | | | | | | | | | | | | | | | | | | | | | | | | | | | | | | | | | | | | | |
| Motor data | | <table border="1" style="width: 100%; border-collapse: collapse;"> <thead> <tr> <th colspan="2" style="text-align: center;">Dimensions in mm</th> </tr> </thead> <tbody> <tr> <td>A</td><td>110</td> <td>D3</td><td>200</td> <td>L2</td><td>170</td> </tr> <tr> <td>B</td><td>463</td> <td>D4</td><td>4 asole 18;</td> <td>M</td><td>2 fori 10</td> </tr> <tr> <td>B1</td><td>230</td> <td>DNA</td><td>80</td> <td></td><td></td> </tr> <tr> <td>B2</td><td>233</td> <td>DNM</td><td>80</td> <td></td><td></td> </tr> <tr> <td>C</td><td>115</td> <td>H1</td><td>97</td> <td></td><td></td> </tr> <tr> <td>D</td><td>128</td> <td>I</td><td>240</td> <td></td><td></td> </tr> <tr> <td>D1</td><td>150</td> <td>L</td><td>360</td> <td></td><td></td> </tr> <tr> <td>D2</td><td>150</td> <td>L1</td><td>190</td> <td></td><td></td> </tr> </tbody> </table> | | | | Dimensions in mm | | A | 110 | D3 | 200 | L2 | 170 | B | 463 | D4 | 4 asole 18; | M | 2 fori 10 | B1 | 230 | DNA | 80 | | | B2 | 233 | DNM | 80 | | | C | 115 | H1 | 97 | | | D | 128 | I | 240 | | | D1 | 150 | L | 360 | | | D2 | 150 | L1 | 190 | | |
| Dimensions in mm | | | | | | | | | | | | | | | | | | | | | | | | | | | | | | | | | | | | | | | | | | | | | | | | | | | | | | | |
| A | 110 | D3 | 200 | L2 | 170 | | | | | | | | | | | | | | | | | | | | | | | | | | | | | | | | | | | | | | | | | | | | | | | | | | |
| B | 463 | D4 | 4 asole 18; | M | 2 fori 10 | | | | | | | | | | | | | | | | | | | | | | | | | | | | | | | | | | | | | | | | | | | | | | | | | | |
| B1 | 230 | DNA | 80 | | | | | | | | | | | | | | | | | | | | | | | | | | | | | | | | | | | | | | | | | | | | | | | | | | | | |
| B2 | 233 | DNM | 80 | | | | | | | | | | | | | | | | | | | | | | | | | | | | | | | | | | | | | | | | | | | | | | | | | | | | |
| C | 115 | H1 | 97 | | | | | | | | | | | | | | | | | | | | | | | | | | | | | | | | | | | | | | | | | | | | | | | | | | | | |
| D | 128 | I | 240 | | | | | | | | | | | | | | | | | | | | | | | | | | | | | | | | | | | | | | | | | | | | | | | | | | | | |
| D1 | 150 | L | 360 | | | | | | | | | | | | | | | | | | | | | | | | | | | | | | | | | | | | | | | | | | | | | | | | | | | | |
| D2 | 150 | L1 | 190 | | | | | | | | | | | | | | | | | | | | | | | | | | | | | | | | | | | | | | | | | | | | | | | | | | | | |
| Motor brand : DAB Nominal power P2 : 1 X 0,75 kW Rated speed : 1.400 1/min Rated voltage : 3~ 230 V 50 Hz Nominal current : 1 X 2,8 A Degree of protection : IP 55 | | Pump connection | | | | | | | | | | | | | | | | | | | | | | | | | | | | | | | | | | | | | | | | | | | | | | | | | | | | | |
| | | Suction side : DN 80 / 1 MPa Discharge side : DN 80 / 1 MPa | | | | | | | | | | | | | | | | | | | | | | | | | | | | | | | | | | | | | | | | | | | | | | | | | | | | | |



PERFORMANCE CURVES

2023-03-17

Page 2 / 3

DAB PUMPS S.p.A.
Via Marco Polo, 14 - 35035 Mestrino (PD), Italy
Tel. +39 049 5125000 - Fax +39 049 5125950
www.dabpumps.com

Receiver

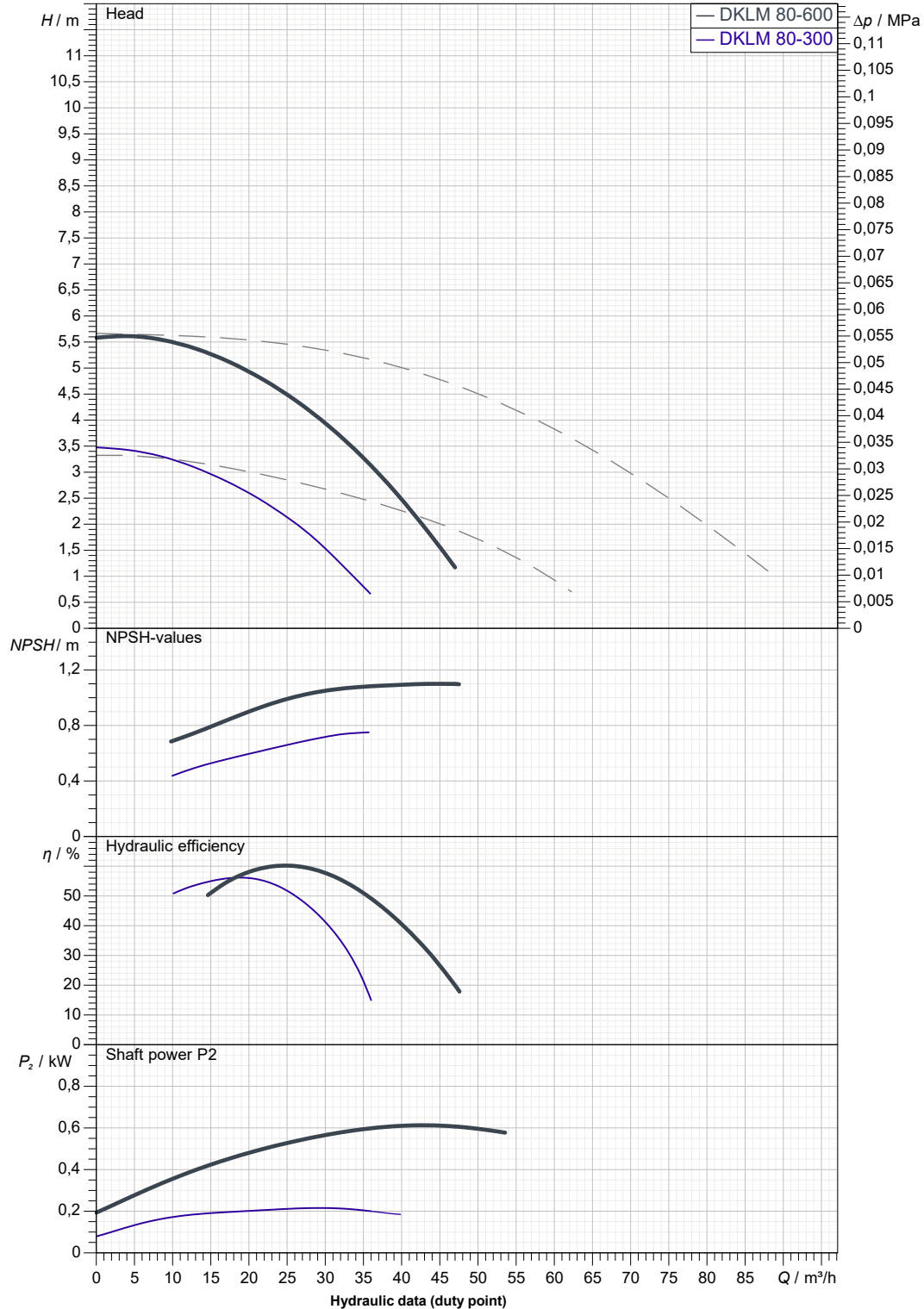
From

Company
Reference
Address
Phone
Fax
E-mail

DKLM 80-600 T

Number of working motors : 1

Curve tolerance according to ISO 9906



Suction side :
DN 80
1 MPa

Discharge side :
DN 80
1 MPa

Flow :

Head :

Rated speed :
1.400 1/min

MAIN_PROJECT_TITLE

BUSINESS_PROCESS_ID

OWNER_

ISSUE_DATE
2023-03-17



DIMENSIONAL DRAWING

2023-03-17

Page 3 / 3

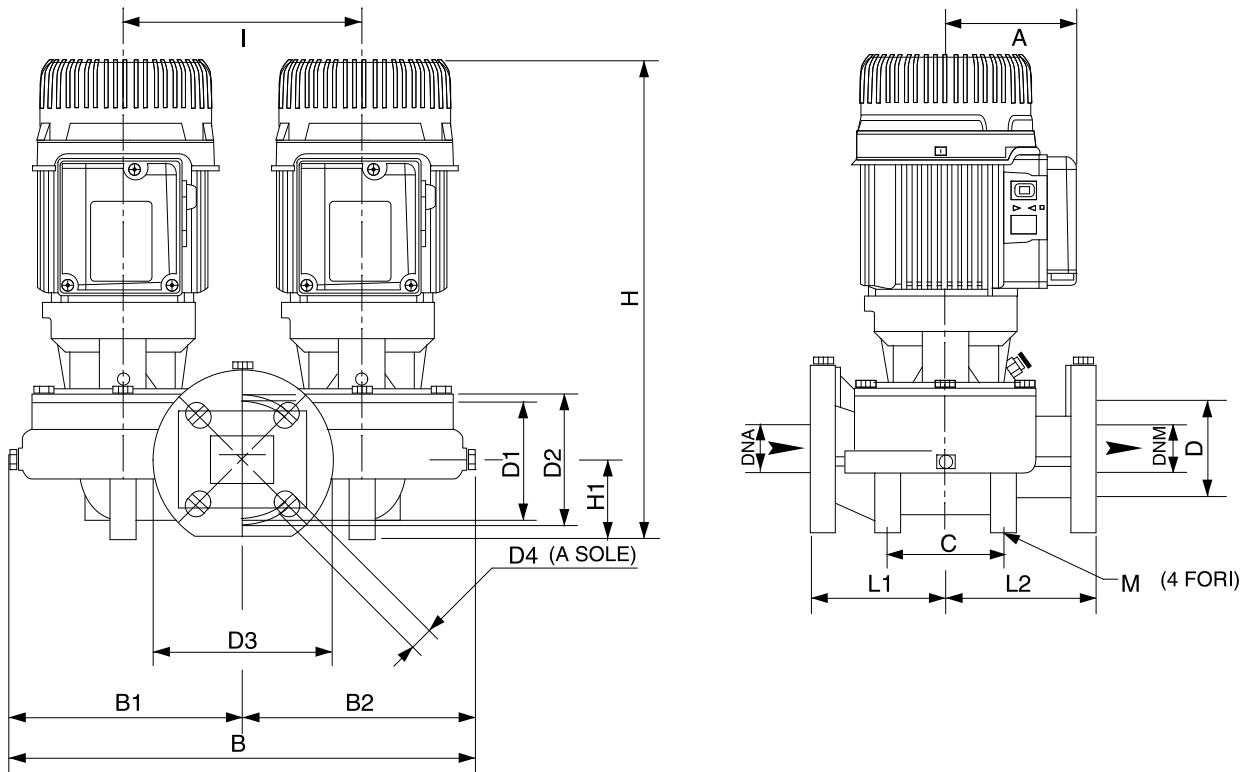
DAB PUMPS S.p.A.
Via Marco Polo, 14 - 35035 Mestrino (PD), Italy
Tel. +39 049 5125000 - Fax +39 049 5125950
www.dabpumps.com

Receiver

From

Company
Reference
Address
Phone
Fax
E-mail

DKLM 80-600 T



| Dimensions in mm | | | | | | Pump connection | |
|------------------|-----|---------------|-----|-----------|--|-----------------|-----------|
| 1 | A | 110 | DNM | 80 | | | |
| 2 | B | 463 | H1 | 97 | | | Suction |
| 3 | B1 | 230 | I | 240 | | | DN 80 |
| 4 | B2 | 233 | L | 360 | | | 1 MPa |
| 5 | C | 115 | L1 | 190 | | | |
| 6 | D | 128 | L2 | 170 | | | |
| 7 | D1 | 150 | M | 2 fori 10 | | | Discharge |
| 8 | D2 | 150 | | | | | DN 80 |
| 9 | D3 | 200 | | | | | 1 MPa |
| 10 | D4 | 4 asole 18X23 | | | | | |
| 11 | DNA | 80 | | | | | |

| | | | |
|--------------------|---------------------|--------|---------------------------------|
| MAIN_PROJECT_TITLE | BUSINESS_PROCESS_II | OWNER_ | ISSUE_DATE 2023-03-17 |
|--------------------|---------------------|--------|---------------------------------|