

Receiver

Company
Reference
Address
Phone
Fax
E-mail

From

Item n° : Customer pos. no.:

60179926

Model :

DKLP 80-1200 T IE3

Pump data

MEI $\geq 0,6$

Pressure rating : 1 MPa
Min. fluid temperature : -15 °C
Max. fluid temperature : 120 °C
Max. Ambient temperature : 40 °C

Requested data

Flow :
Head :
Fluid (%) :
Fluid Temperature : 20 °C
Density : 998,3 kg/m³
Kinematic viscosity : 1,005 mm²/s
Vapor pressure : 0,00 MPa

Hydraulic data (duty point)

Flow :
Head :
NPSH :
Shaft power P₂ :
Efficiency :

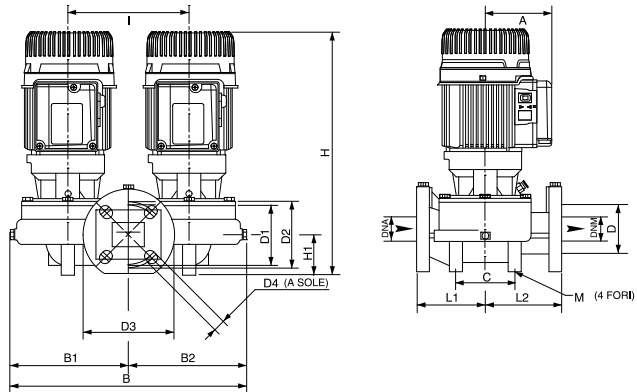
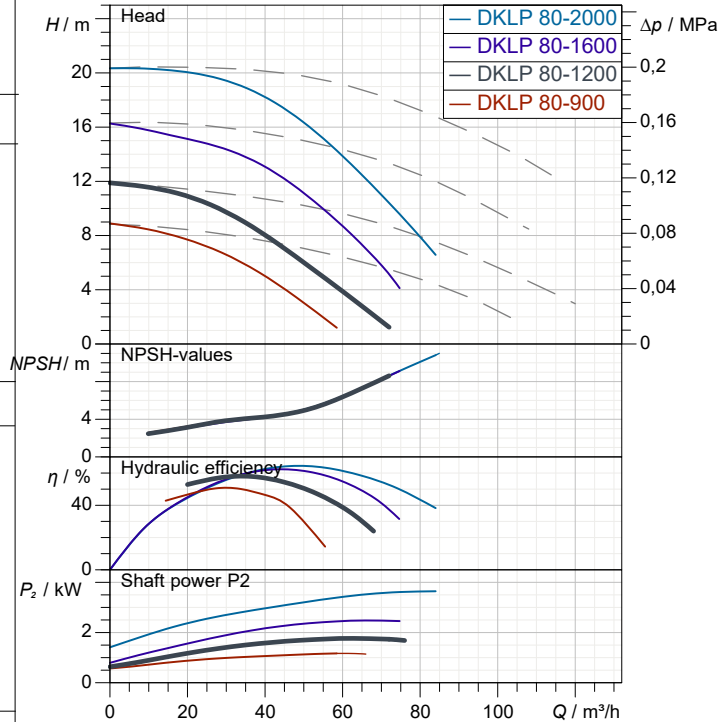
Materials

Pump body : Cast iron 250 UNI ISO 185
Support : Cast iron 250 UNI ISO 185
Impeller : Technopolymer B
Mechanical seal : Carbon/Ceramic
O-Ring : EPDM Rubber
Shaft with rotor : AISI 303 X10 CrNiS 1809 UNI 6900/71

Motor data

Motor brand : DAB
Nominal power P₂ : 1 X 1,84 kW
Rated speed : 2.840 1/min
Rated voltage : 3~ 230 V 50 Hz
Nominal current : 1 X 6,6 A
Degree of protection : IP 55

Curve tolerance according to ISO 9906 Number of working motors : 1



Weight : 76 kg

Dimensions in mm

A	118	D3	200	L1	190
B	463	D4	4 asole 18	L2	170
B1	230	DNA	80	M	2 fori 10
B2	233	DNM	80		
C	150	H	537		
D	128	H1	97		
D1	150	I	240		
D2	150	L	360		

Pump connection

Suction side : DN 80 / 1 MPa
Discharge side : DN 80 / 1 MPa



PERFORMANCE CURVES

2023-03-17

Page 2 / 3

DAB PUMPS S.p.A.
Via Marco Polo, 14 - 35035 Mestrino (PD), Italy
Tel. +39 049 5125000 - Fax +39 049 5125950
www.dabpumps.com

Receiver

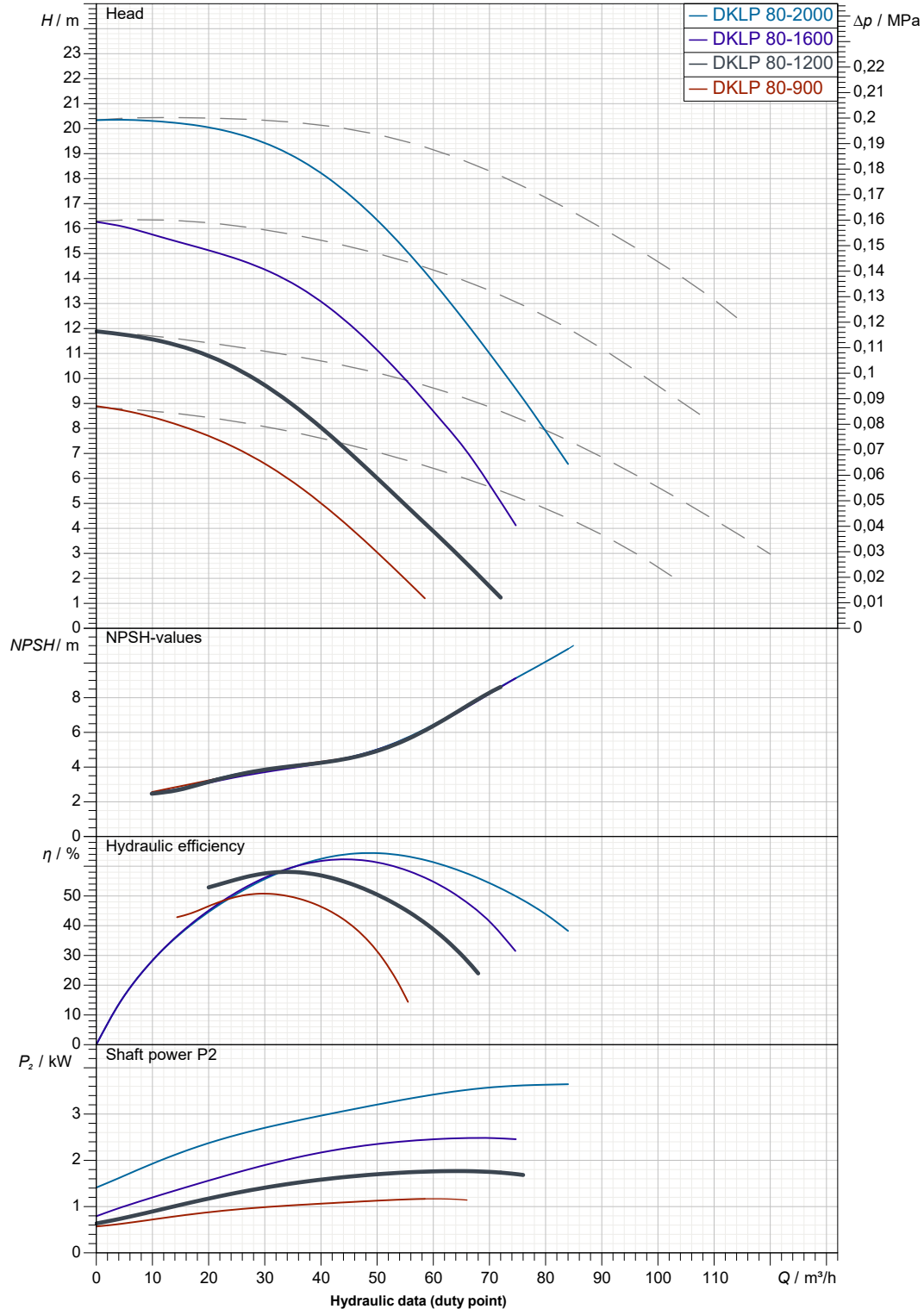
From

Company
Reference
Address
Phone
Fax
E-mail

DKLP 80-1200 T IE3

Number of working motors : 1

Curve tolerance according to ISO 9906



Suction side :
DN 80
1 MPa

Discharge side :
DN 80
1 MPa

Flow :

Head :

Rated speed :
2.840 1/min

MAIN_PROJECT_TITLE

BUSINESS_PROCESS_ID

OWNER_

ISSUE_DATE
2023-03-17



DIMENSIONAL DRAWING

2023-03-17

Page 3 / 3

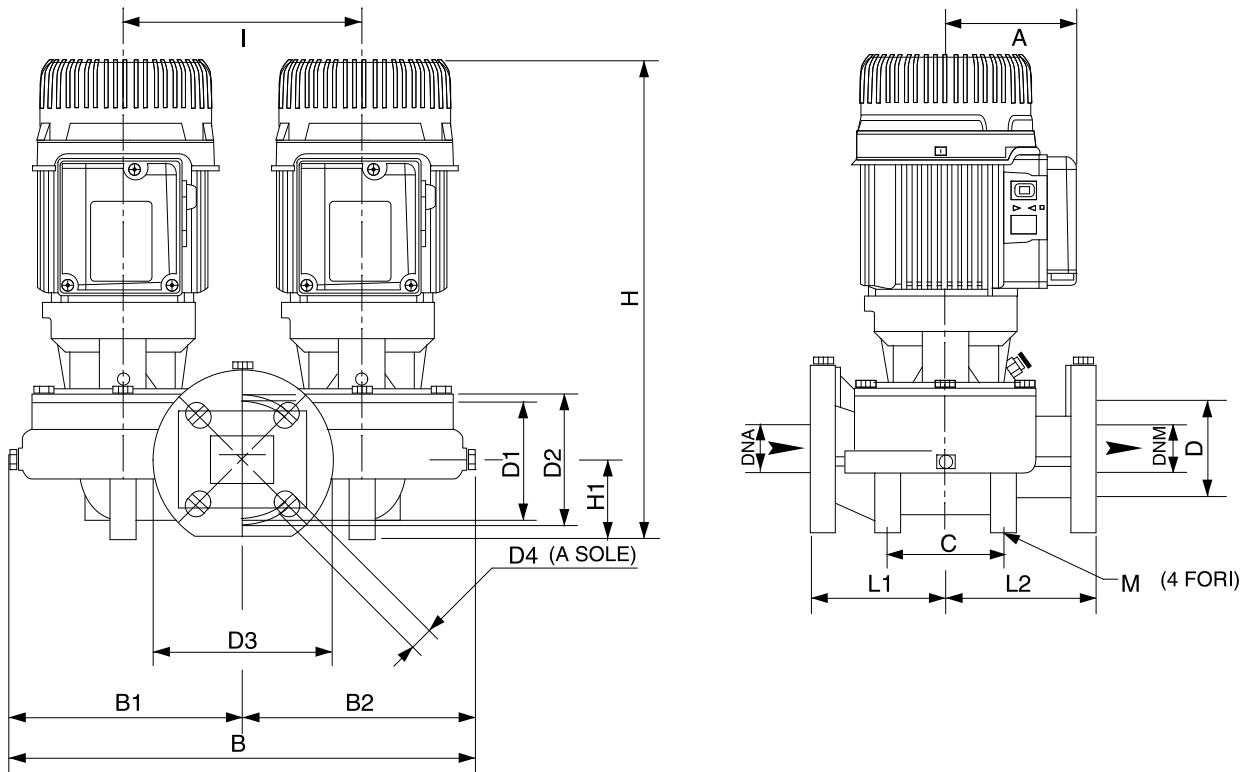
DAB PUMPS S.p.A.
Via Marco Polo, 14 - 35035 Mestrino (PD), Italy
Tel. +39 049 5125000 - Fax +39 049 5125950
www.dabpumps.com

Receiver

From

Company
Reference
Address
Phone
Fax
E-mail

DKLP 80-1200 T IE3



Dimensions in mm					Pump connection
1	A	118	DNM	80	Suction DN 80 1 MPa Discharge DN 80 1 MPa
2	B	463	H	537	
3	B1	230	H1	97	
4	B2	233	I	240	
5	C	150	L	360	
6	D	128	L1	190	
7	D1	150	L2	170	
8	D2	150	M	2 fori 10	
9	D3	200			
10	D4	4 asole 18X23			
11	DNA	80			

MAIN_PROJECT_TITLE	BUSINESS_PROCESS_II	OWNER_	ISSUE_DATE 2023-03-17
--------------------	---------------------	--------	---------------------------------