

Receiver

From

Company
Reference
Address
Phone
Fax
E-mail

Item n° :

Customer pos. no.:

60179902

Model :

KLM 80-600 T IE3

Pump data

MEI ≥ 0,6

Pressure rating : 1 MPa

Min. fluid temperature : -15 °C

Max. fluid temperature : 120 °C

Max. Ambient temperature : 40 °C

Requested data

Flow :

Head :

Fluid (%) :

Fluid Temperature : 20 °C

Density : 998,3 kg/m³

Kinematic viscosity : 1,005 mm²/s

Vapor pressure : 0,00 MPa

Hydraulic data (duty point)

Flow :

Head :

NPSH :

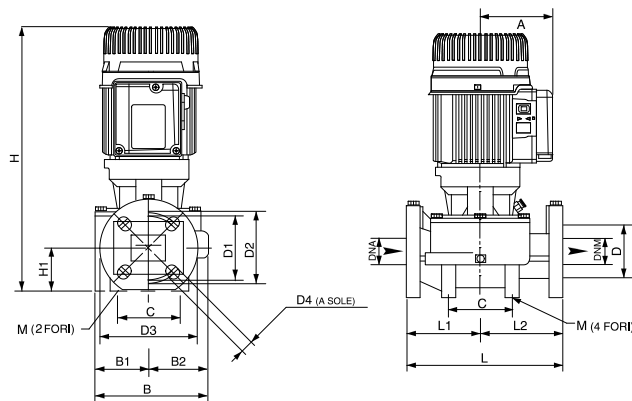
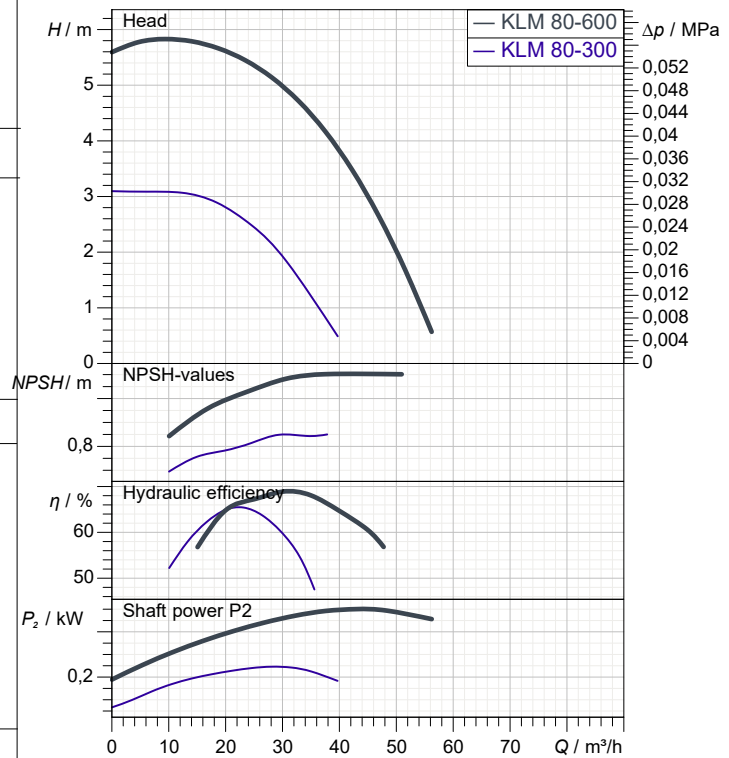
Shaft power P2 :

Efficiency :

Materials

Pump body	Cast iron 250 UNI ISO 185
Support	Cast iron 250 UNI ISO 185
Impeller	Technopolymer B
Mechanical seal	Carbon/Ceramic
O-Ring	EPDM Rubber
Shaft with rotor	AISI 303 X10 CrNiS 1809 UNI 6900/71

Curve tolerance according to ISO 9906



Weight : 36,7 kg

Dimensions in mm

A	110	D4	4 asole 18;	M	2 fori 10
B	229	DNA	80		
B ₁	99	DNM	80		
B ₂	130	H	453		
D	128	H ₁	97		
D ₁	150	L	360		
D ₂	160	L ₁	190		
D ₃	200	L ₂	170		

Pump connection

Suction side : DN 80 / 1 MPa
Discharge side : DN 80 / 1 MPa

Motor data

Motor brand :	DAB	
Nominal power P ₂ :	0,75 kW	
Rated speed :	1.400 1/min	
Rated voltage :	3~ 230 V	50 Hz
Nominal current :	2,8 A	
Degree of protection :	IP 55	

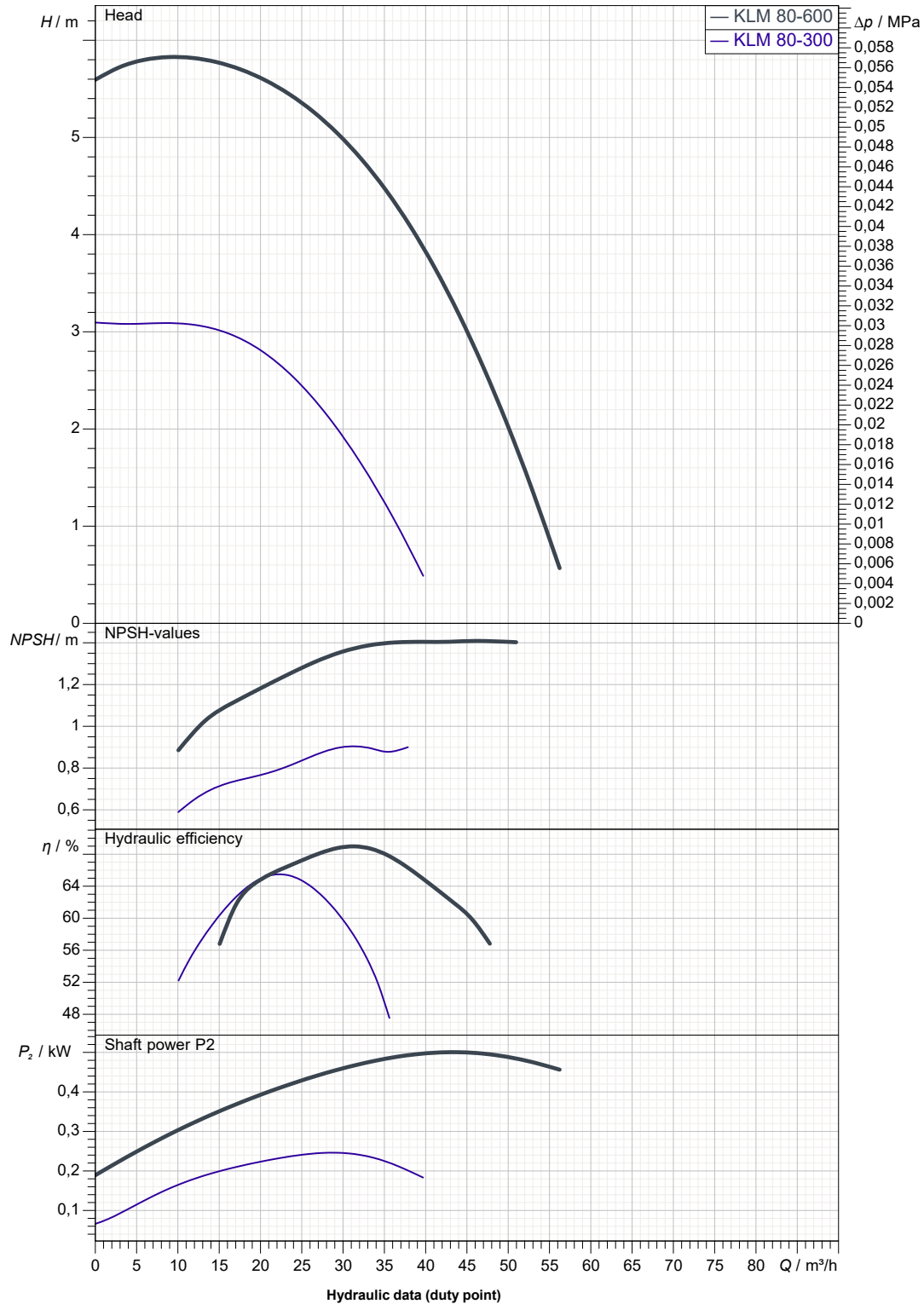
Receiver

From

 Company
 Reference
 Address
 Phone
 Fax
 E-mail

KLM 80-600 T IE3

Curve tolerance according to ISO 9906


 Suction side :
 DN 80
 1 MPa

 Discharge side :
 DN 80
 1 MPa

Flow :

Head :

 Rated speed :
 1.400 1/min

MAIN_PROJECT_TITLE

BUSINESS_PROCESS_ID

OWNER_

 ISSUE_DATE
 2023-03-17



DIMENSIONAL DRAWING

2023-03-17

Page 3 / 3

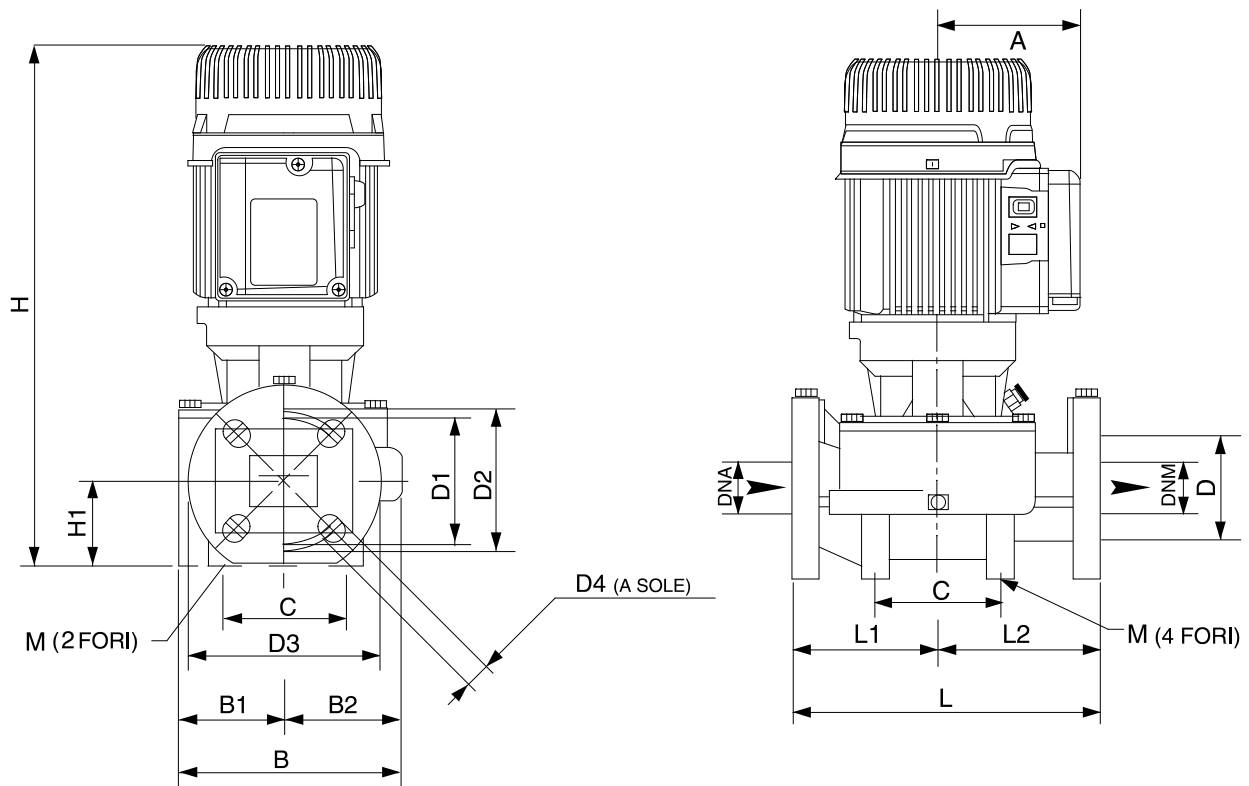
DAB PUMPS S.p.A.
Via Marco Polo, 14 - 35035 Mestrino (PD), Italy
Tel. +39 049 5125000 - Fax +39 049 5125950
www.dabpumps.com

Receiver

From

Company
Reference
Address
Phone
Fax
E-mail

KLM 80-600 T IE3



Dimensions in mm					Pump connection	
1	A	110	H	453	Suction DN 80 1 MPa Discharge DN 80 1 MPa	
2	B	229	H1	97		
3	B1	99	L	360		
4	B2	130	L1	190		
5	D	128	L2	170		
6	D1	150	M	2 fori 10		
7	D2	160				
8	D3	200				
9	D4	4 asole 18x23				
10	DNA	80				
11	DNM	80				

MAIN_PROJECT_TITLE	BUSINESS_PROCESS_ID	OWNER	ISSUE_DATE 2023-03-17
--------------------	---------------------	-------	---------------------------------