

**Receiver**

**From**

Company  
Reference  
Address  
Phone  
Fax  
E-mail

**Item n° :** Customer pos. no.:

60179886

**Model :**

JET 151 T IE3

**Pump data**

Pressure rating : 0,8 MPa  
Min. fluid temperature : 0 °C  
Max. fluid temperature : 35 °C  
Max. Ambient temperature : 40 °C

**Priming capacity :**

H	m	2	3	4	5	6	7	8
Q	m³/h	4,2	3,72	3,36	3	2,46	1,98	1,5

**Requested data**

Flow :  
Head :  
Fluid : Water  
Fluid Temperature : 20 °C  
Density : 998,3 kg/m³  
Kinematic viscosity : 1,005 mm²/s  
Vapor pressure : 0,00 MPa

**Hydraulic data (duty point)**

Flow :  
Head :

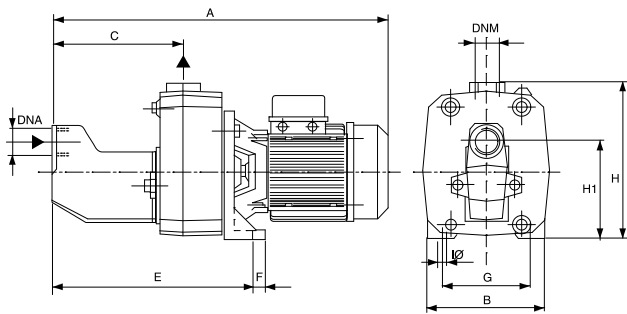
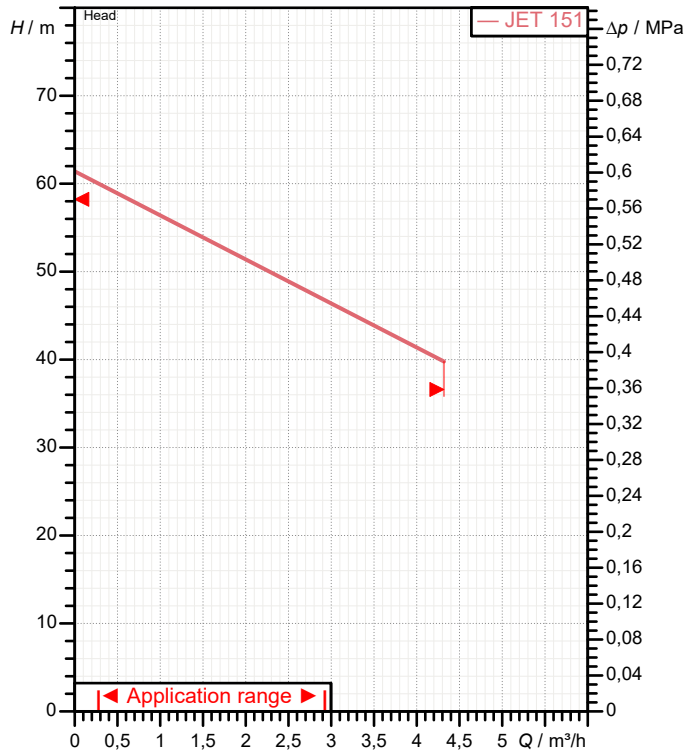
**Materials**

Pump body : Cast iron GJL 200 UNI EN 1561  
Support : Cast iron GJL 200 UNI EN 1561  
Impeller : Noryl  
Mechanical seal : Carbon/Ceramic  
O-Ring : NBR Rubber  
Shaft with rotor : AISI 303  
Nozzle venturi diffuser assembly : Noryl

**Motor data**

Motor brand : DAB  
Nominal power P2 : 1,1 kW  
Rated speed : 2.800 1/min  
Rated voltage : 3~ 230 V 50 Hz  
Nominal current : 5,2 A  
Degree of protection : IP 44

**Curve tolerance according to ISO 9906**



**Dimensions in mm**

A	558	DNM	1" G	H	255		
B	210	E	350	H1	158		
C	221	F	20	I Ø	11		
DNA	1"1/4 G	G	145				

**Weight :** 31 kg

**Pump connection**

Suction side : 1" 1/4 G / 0,8 MPa  
Discharge side : 1" G / 0,8 MPa



WATER • TECHNOLOGY

# PERFORMANCE CURVES

2023-03-17

Page 2 / 3

DAB PUMPS S.p.A.  
Via Marco Polo, 14 - 35035 Mestrino (PD), Italy  
Tel. +39 049 5125000 - Fax +39 049 5125950  
www.dabpumps.com

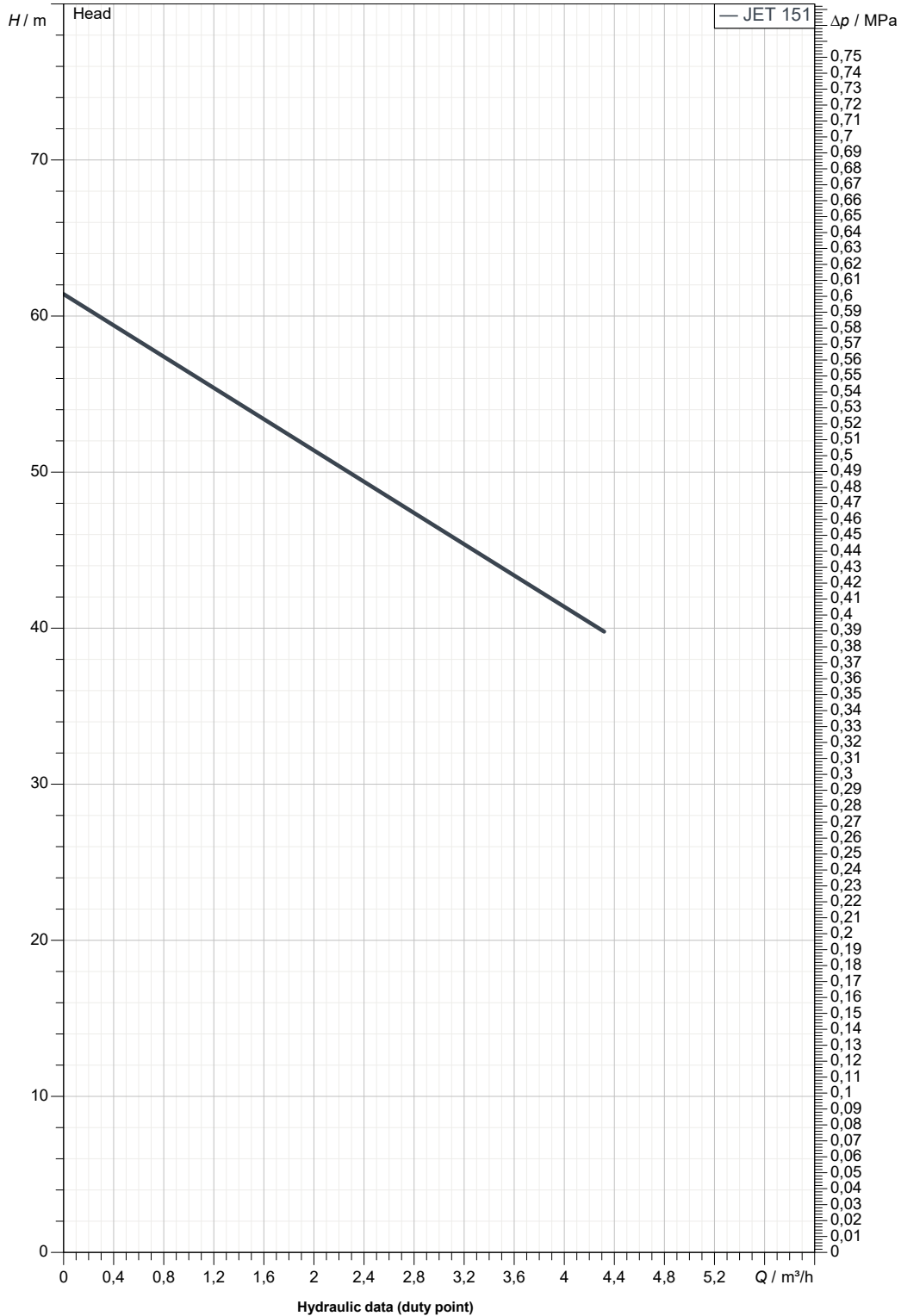
Receiver

From

Company  
Reference  
Address  
Phone  
Fax  
E-mail

## JET 151 T IE3

Curve tolerance according to ISO 9906



Suction side :  
1" 1/4 G  
0,8 MPa

Discharge side :  
1" G  
0,8 MPa

Flow :

Head :

Rated speed :  
2.800 1/min

MAIN\_PROJECT\_TITLE

BUSINESS\_PROCESS\_IE

OWNER\_

ISSUE\_DATE

2023-03-17



# DIMENSIONAL DRAWING

2023-03-17

Page 3 / 3

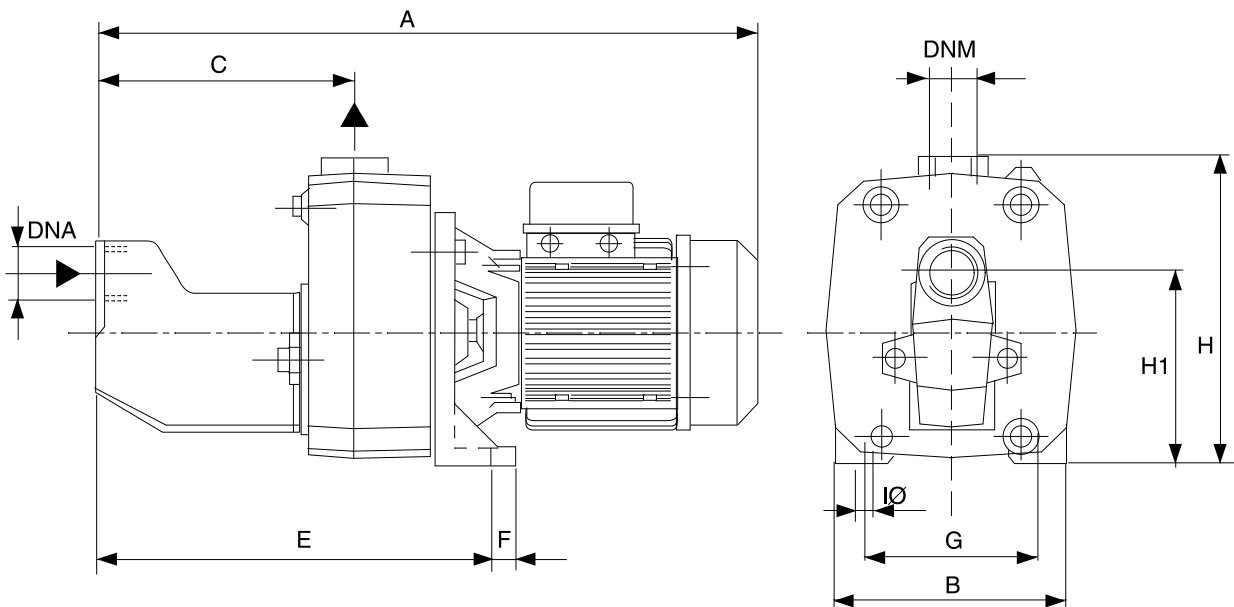
DAB PUMPS S.p.A.  
Via Marco Polo, 14 - 35035 Mestrino (PD), Italy  
Tel. +39 049 5125000 - Fax +39 049 5125950  
www.dabpumps.com

Receiver

From

Company  
Reference  
Address  
Phone  
Fax  
E-mail

## JET 151 T IE3



**Dimensions in mm**

**Pump connection**

1	A	558					
2	B	210					Suction
3	C	221					1" 1/4 G
4	DNA	1"1/4 G					0,8 MPa
5	DNM	1" G					
6	E	350					Discharge
7	F	20					1" G
8	G	145					0,8 MPa
9	H	255					
10	H1	158					
11	I Ø	11					

MAIN\_PROJECT\_TITLE

BUSINESS\_PROCESS\_ID

OWNER

ISSUE\_DATE

2023-03-17