

Receiver

From

Company
Reference
Address
Phone
Fax
E-mail

Item n° :

60179885

Customer pos. no.:

Model :

JET 251 T IE3

Pump data

Pressure rating : 0,8 MPa
Min. fluid temperature : 0 °C
Max. fluid temperature : 35 °C
Max. Ambient temperature : 40 °C

Priming capacity :

H	m	2	3	4	5	6	7	8
Q	m³/h	6,3	5,52	4,92	4,32	3,72	3,3	2,46

Requested data

Flow :
Head :
Fluid : Water
Fluid Temperature : 20 °C
Density : 998,3 kg/m³
Kinematic viscosity : 1,005 mm²/s
Vapor pressure : 0,00 MPa

Hydraulic data (duty point)

Flow :
Head :

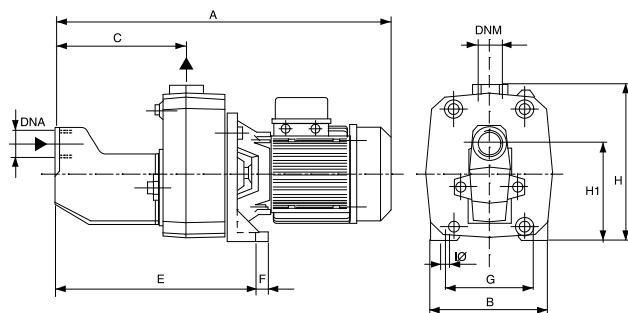
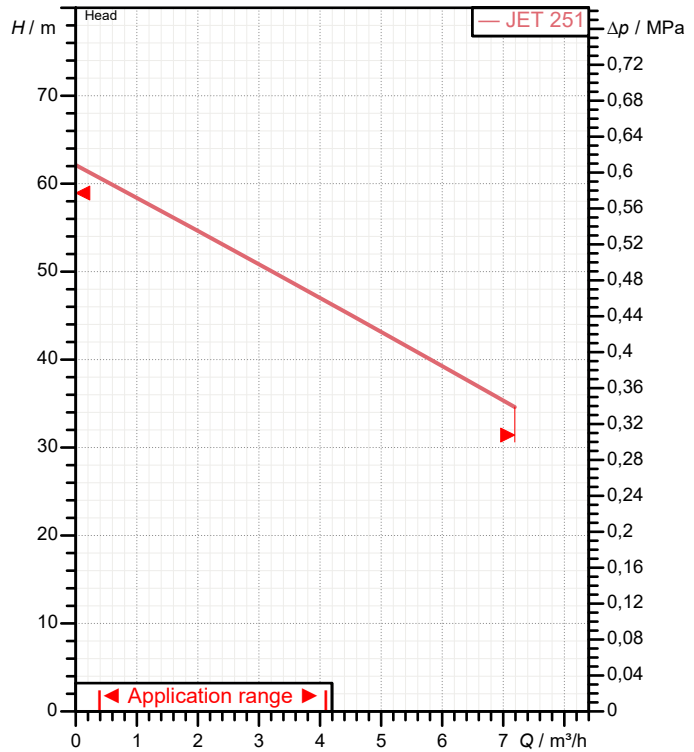
Materials

Pump body : Cast iron GJL 200 UNI EN 1561
Support : Cast iron GJL 200 UNI EN 1561
Impeller : Noryl
Mechanical seal : Carbon/Ceramic
O-Ring : NBR Rubber
Shaft with rotor : AISI 303
Nozzle venturi diffuser assembly : Noryl

Motor data

Motor brand : DAB
Nominal power P2 : 1,85 kW
Rated speed : 2.850 1/min
Rated voltage : 3~ 230 V 50 Hz
Nominal current : 6,9 A
Degree of protection : IP 55

Curve tolerance according to ISO 9906



Dimensions in mm

A	558	DNM	1" G	H	255		
B	210	E	350	H1	158		
C	221	F	20	I Ø	11		
DNA	1"1/4 G	G	145				

Weight : 31 kg

Pump connection

Suction side : 1" 1/4 G / 0,8 MPa
Discharge side : 1" G / 0,8 MPa



WATER • TECHNOLOGY

PERFORMANCE CURVES

2023-03-17

Page 2 / 3

DAB PUMPS S.p.A.
Via Marco Polo, 14 - 35035 Mestrino (PD), Italy
Tel. +39 049 5125000 - Fax +39 049 5125950
www.dabpumps.com

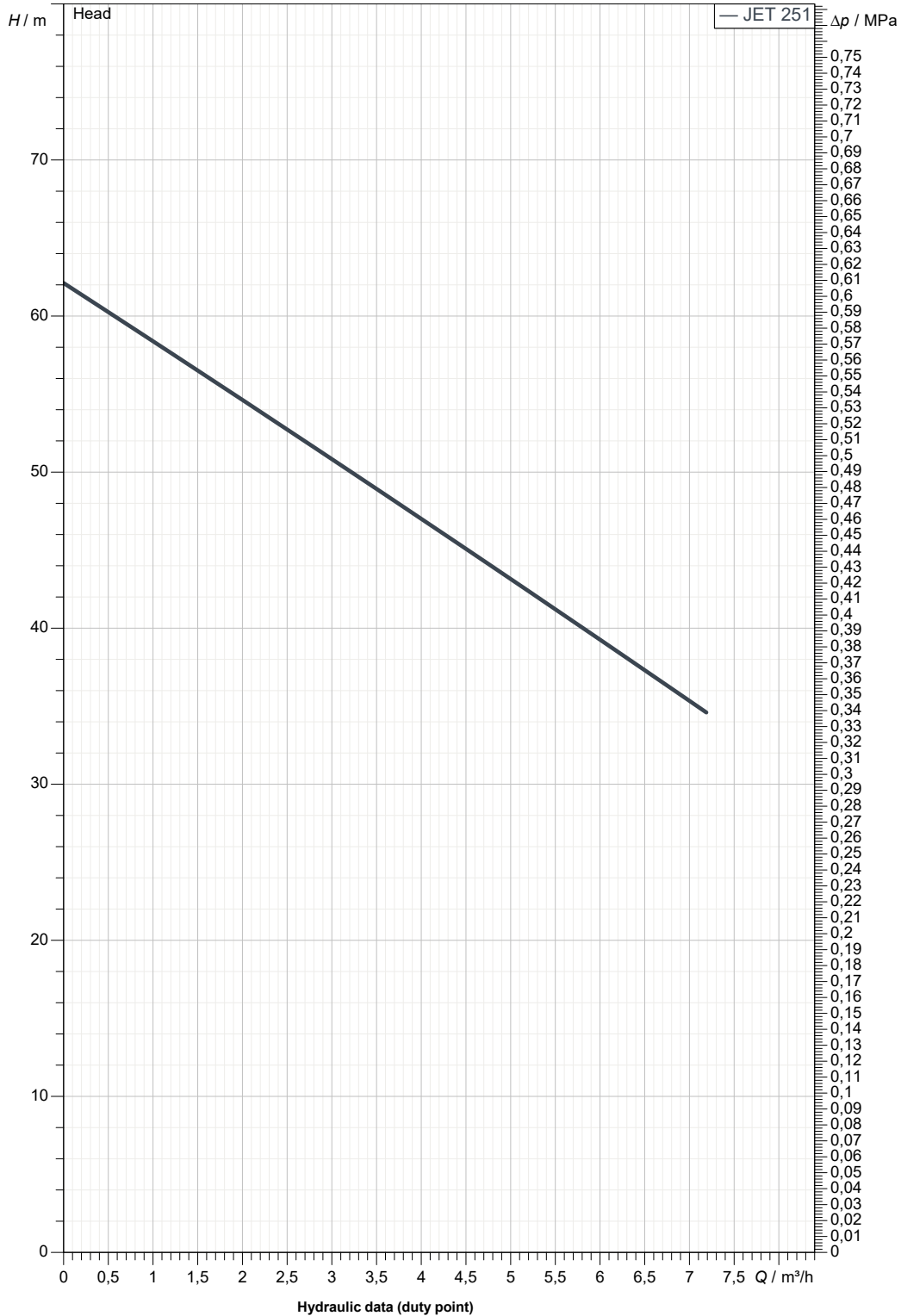
Receiver

From

Company
Reference
Address
Phone
Fax
E-mail

JET 251 T IE3

Curve tolerance according to ISO 9906



Suction side :
1" 1/4 G
0,8 MPa

Discharge side :
1" G
0,8 MPa

Flow :

Head :

Rated speed :
2.850 1/min

MAIN_PROJECT_TITLE

BUSINESS_PROCESS_IE

OWNER_

ISSUE_DATE

2023-03-17



DIMENSIONAL DRAWING

2023-03-17

Page 3 / 3

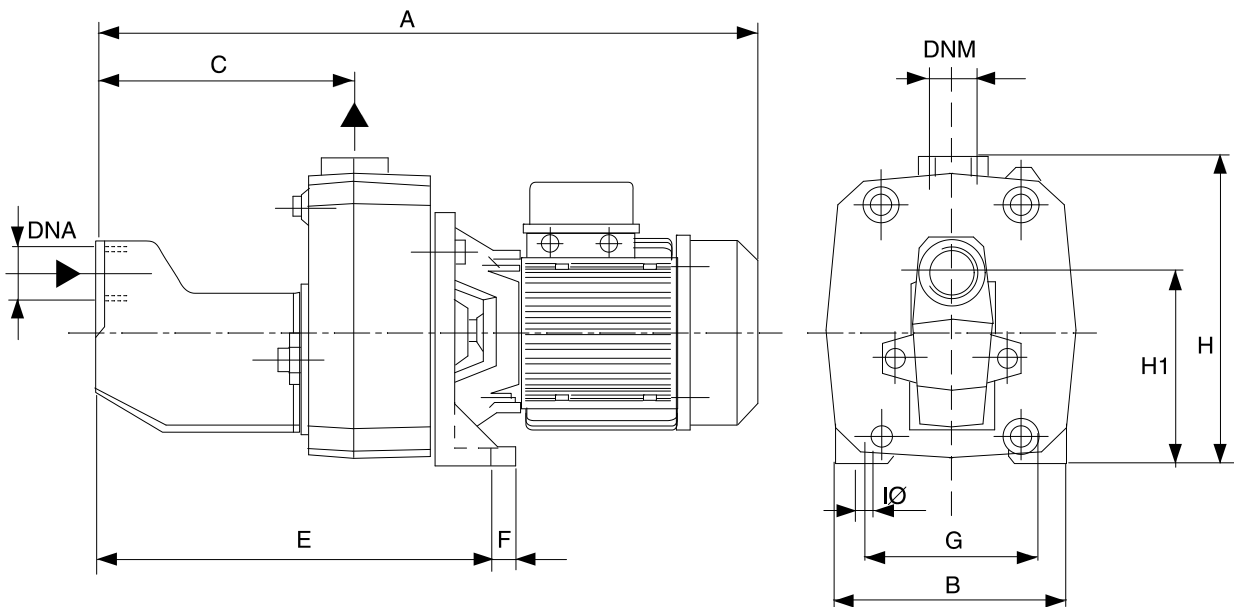
DAB PUMPS S.p.A.
Via Marco Polo, 14 - 35035 Mestrino (PD), Italy
Tel. +39 049 5125000 - Fax +39 049 5125950
www.dabpumps.com

Receiver

From

Company
Reference
Address
Phone
Fax
E-mail

JET 251 T IE3



Dimensions in mm					Pump connection	
1	A	558				
2	B	210				Suction
3	C	221				1" 1/4 G
4	DNA	1"1/4 G				0,8 MPa
5	DNM	1" G				
6	E	350				Discharge
7	F	20				1" G
8	G	145				0,8 MPa
9	H	255				
10	H1	158				
11	IØ	11				

MAIN_PROJECT_TITLE	BUSINESS_PROCESS_ID	OWNER	ISSUE_DATE 2023-03-17
--------------------	---------------------	-------	---------------------------------