

Receiver
From

 Company
 Reference
 Address
 Phone
 Fax
 E-mail

Item n° :

60179856

Customer pos. no.:
Model :

KVCX 60/120 T IE3

Pump data

 MEI \geq 0,50

Pressure rating : 1,2 MPa

Min. fluid temperature : 0 °C

Max. fluid temperature : 40 °C

Max. Ambient temperature : 40 °C

Requested data

Flow :

Head :

Fluid : Water

Fluid Temperature : 20 °C

 Density : 998,3 kg/m³

 Kinematic viscosity : 1,005 mm²/s

Vapor pressure : 0,00 MPa

Hydraulic data (duty point)

Flow :

Head :

NPSH :

Shaft power P2 : 2,20 kW

Efficiency :

Materials

Impeller Technopolymer B

Diffuser Technopolymer B

Shaft with rotor AISI 303 X10 CrNiS 1809 UNI 6900/71

External sleeve AISI 304 X5 Cr Ni 1810 UNI 6900/71

Seal disk AISI 304 X5 Cr Ni 1810 UNI 6900/71

Mechanical seal Silicon carbide/Carbon

O-Ring EPDM Rubber

Motor data

Motor brand : DAB

Nominal power P2 : 2,2 kW

Rated speed : 2.800 1/min

Rated voltage : 3~ 400 V 50 Hz

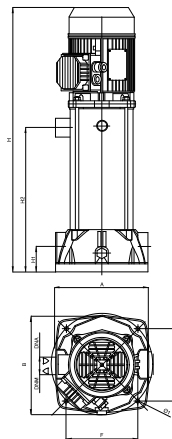
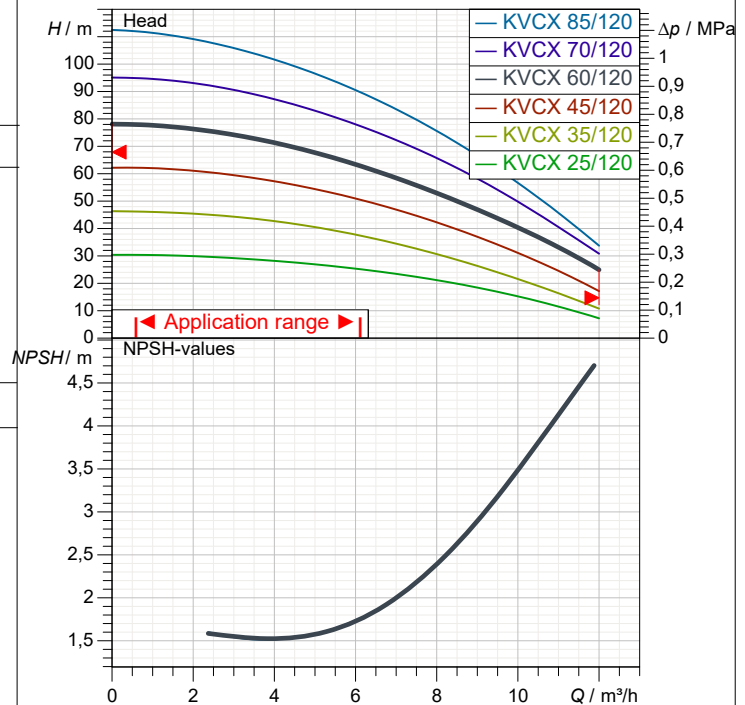
Nominal current : 5,2 A

Degree of protection : IP 55

Pump connection

Suction side : 1 " 1/4 G / 1,2 MPa

Discharge side : 1 " 1/4 G / 1,2 MPa

Curve tolerance according to ISO 9906

Weight : 21,6 kg

Dimensions in mm

A	221
B	235
DNA	1"1/4 G
DNM	1"1/4 G
F	170
H	610
H1	60
H2	239
Ø I	9



PERFORMANCE CURVES

2023-03-17

Page 2 / 3

DAB PUMPS S.p.A.
Via Marco Polo, 14 - 35035 Mestrino (PD), Italy
Tel. +39 049 5125000 - Fax +39 049 5125950
www.dabpumps.com

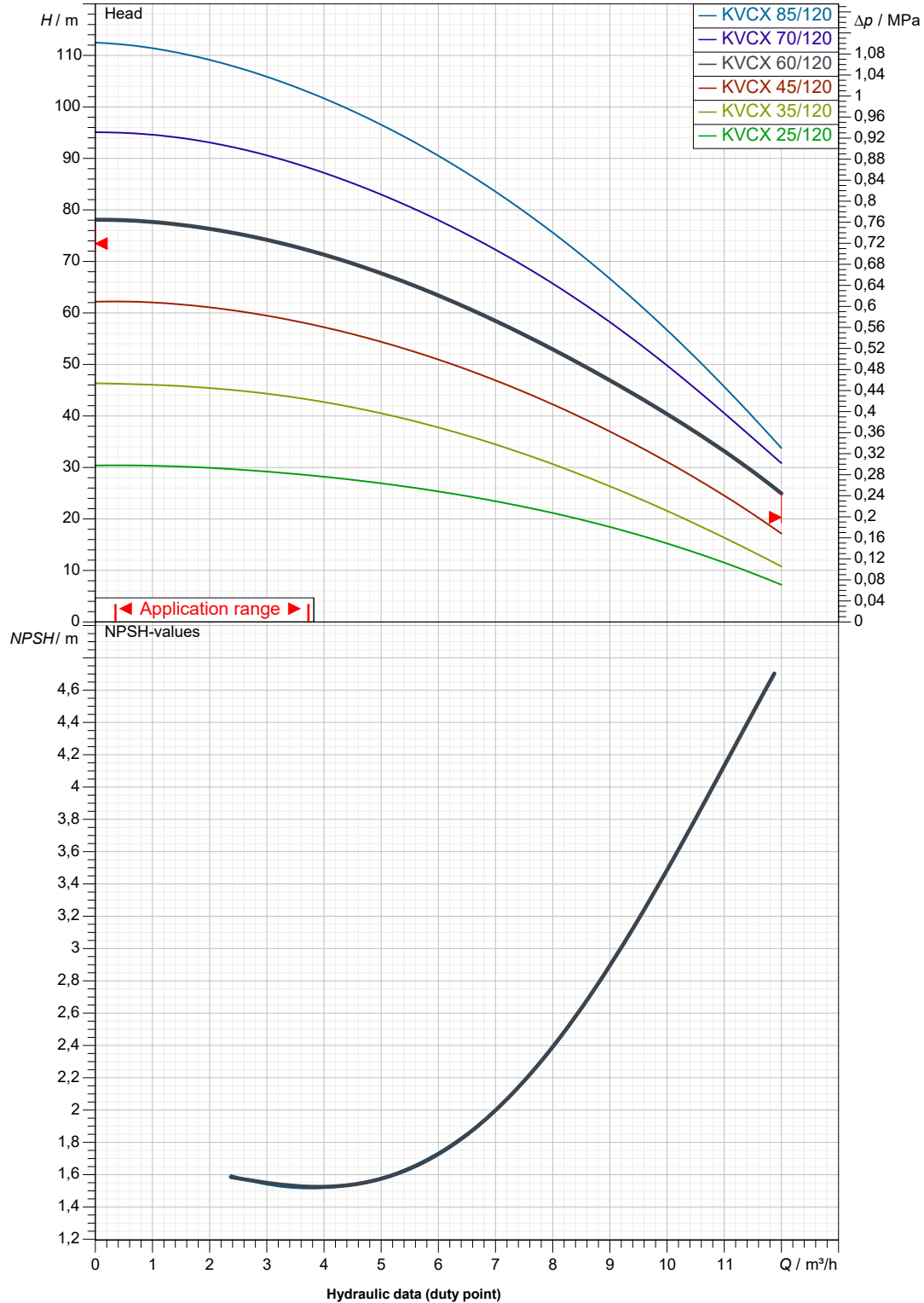
Receiver

From

Company
Reference
Address
Phone
Fax
E-mail

KVCX 60/120 T IE3

Curve tolerance according to ISO 9906



Suction side :
1" 1/4 G
1,2 MPa

Discharge side :
1" 1/4 G
1,2 MPa

Flow :

Head :

Rated speed :
2.800 1/min

MAIN_PROJECT_TITLE

BUSINESS_PROCESS_ID

OWNER_

ISSUE_DATE
2023-03-17



DIMENSIONAL DRAWING

2023-03-17

Page 3 / 3

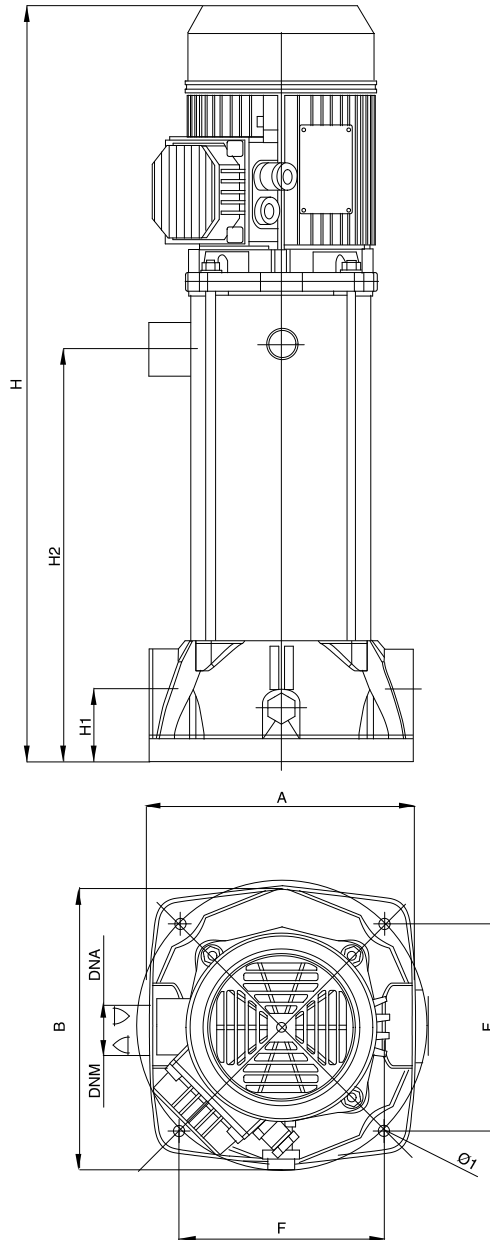
DAB PUMPS S.p.A.
Via Marco Polo, 14 - 35035 Mestrino (PD), Italy
Tel. +39 049 5125000 - Fax +39 049 5125950
www.dabpumps.com

Receiver

From

Company
Reference
Address
Phone
Fax
E-mail

KVCX 60/120 T IE3



Dimensions in mm

Pump connection

1	A	221					
2	B	235					
3	DNA	1"1/4 G					Suction
4	DNM	1"1/4 G					1" 1/4 G
5	F	170					1,2 MPa
6	H	610					
7	H1	60					Discharge
8	H2	239					1" 1/4 G
9	ØI	9					1,2 MPa
10							
11							

MAIN_PROJECT_TITLE

BUSINESS_PROCESS_ID

OWNER

ISSUE_DATE

2023-03-17