

Receiver

From

Company
Reference
Address
Phone
Fax
E-mail

Item n° :

60179394

Customer pos. no.:

Model :

JET 102 T IE3

Pump data

Pressure rating : 0,6 MPa
Min. fluid temperature : 0 °C
Max. fluid temperature : 35 °C
Max. Ambient temperature : 40 °C

Priming capacity :

H m	2	3	4	5	6	7	8	9
Q m³/h	3,06	2,82	2,46	2,28	2,04	1,68	1,38	1,08

Requested data

Flow :
Head :
Fluid : Water
Fluid Temperature : 20 °C
Density : 998,3 kg/m³
Kinematic viscosity : 1,005 mm²/s
Vapor pressure : 0,00 MPa

Hydraulic data (duty point)

Flow :
Head :

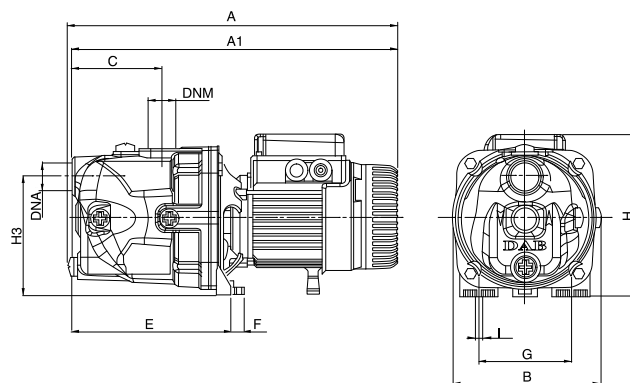
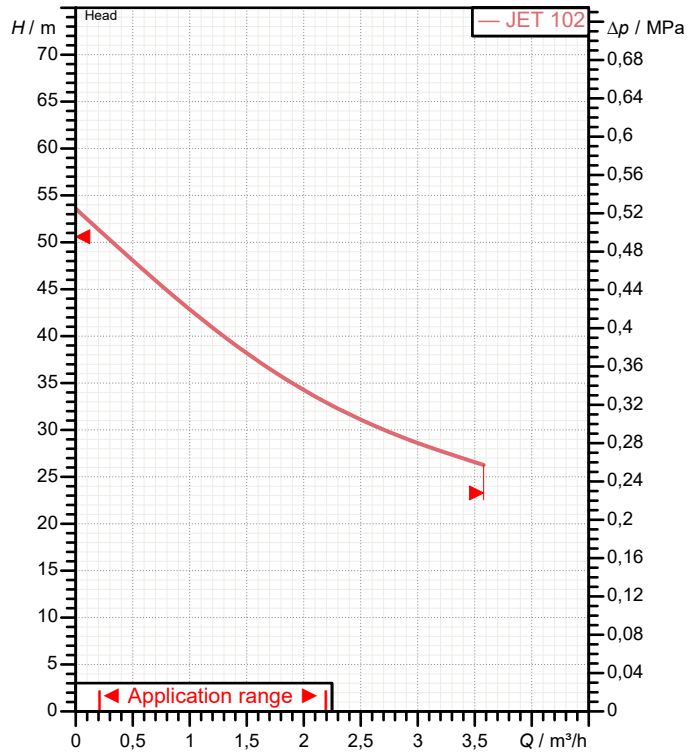
Materials

Pump body : Cast iron 200 UNI ISO 185
Support : Die cast aluminium
Impeller : Technopolymer A
Mechanical seal : Carbon/Ceramic
O-Ring : NBR Rubber
Shaft with rotor : AISI 416 X12 CrS 13 UNI 6900/71
Nozzle venturi diffuser assembly : Technopolymer A

Motor data

Motor brand : DAB
Nominal power P2 : 0,75 kW
Rated speed : 2.800 1/min
Rated voltage : 3~ 230 V 50 Hz
Nominal current : 3,4 A
Degree of protection : IP 44

Curve tolerance according to ISO 9906



Dimensions in mm

A	430	DNA	1" G	G	111
A1	425	DNM	1" G	H	203
B	178	E	197	H3	144
C	108	F	14	I Ø	9

Weight : 12,5 kg

Pump connection

Suction side : 1" G / 0,6 MPa
Discharge side : 1" G / 0,6 MPa



WATER • TECHNOLOGY

PERFORMANCE CURVES

2023-03-17

Page 2 / 3

DAB PUMPS S.p.A.
Via Marco Polo, 14 - 35035 Mestrino (PD), Italy
Tel. +39 049 5125000 - Fax +39 049 5125950
www.dabpumps.com

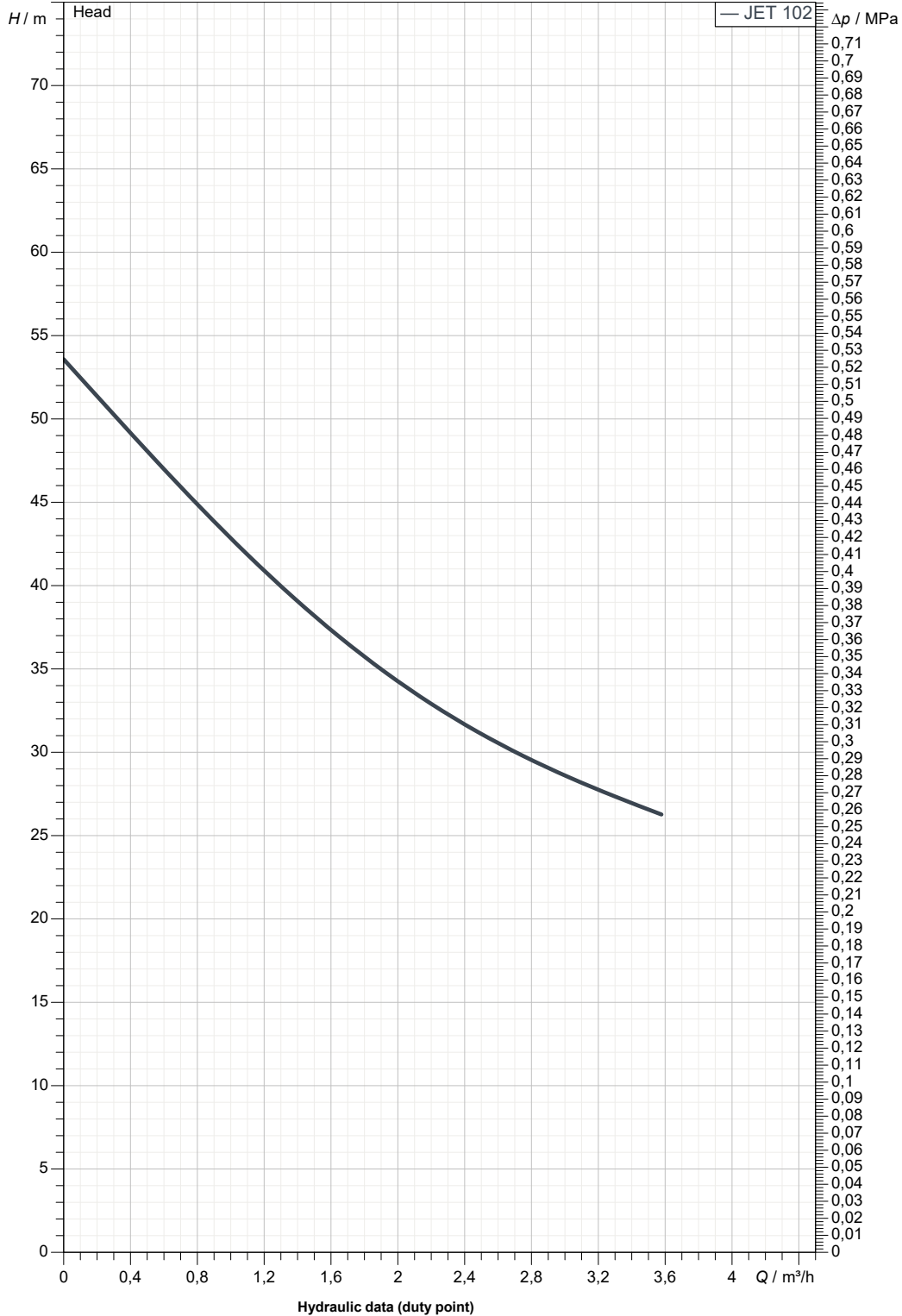
Receiver

From

Company
Reference
Address
Phone
Fax
E-mail

JET 102 T IE3

Curve tolerance according to ISO 9906



Suction side :
1" G
0,6 MPa

Discharge side :
1" G
0,6 MPa

Flow :

Head :

Rated speed :
2.800 1/min

MAIN_PROJECT_TITLE

BUSINESS_PROCESS_IT

OWNER_

ISSUE_DATE
2023-03-17



DIMENSIONAL DRAWING

2023-03-17

Page 3 / 3

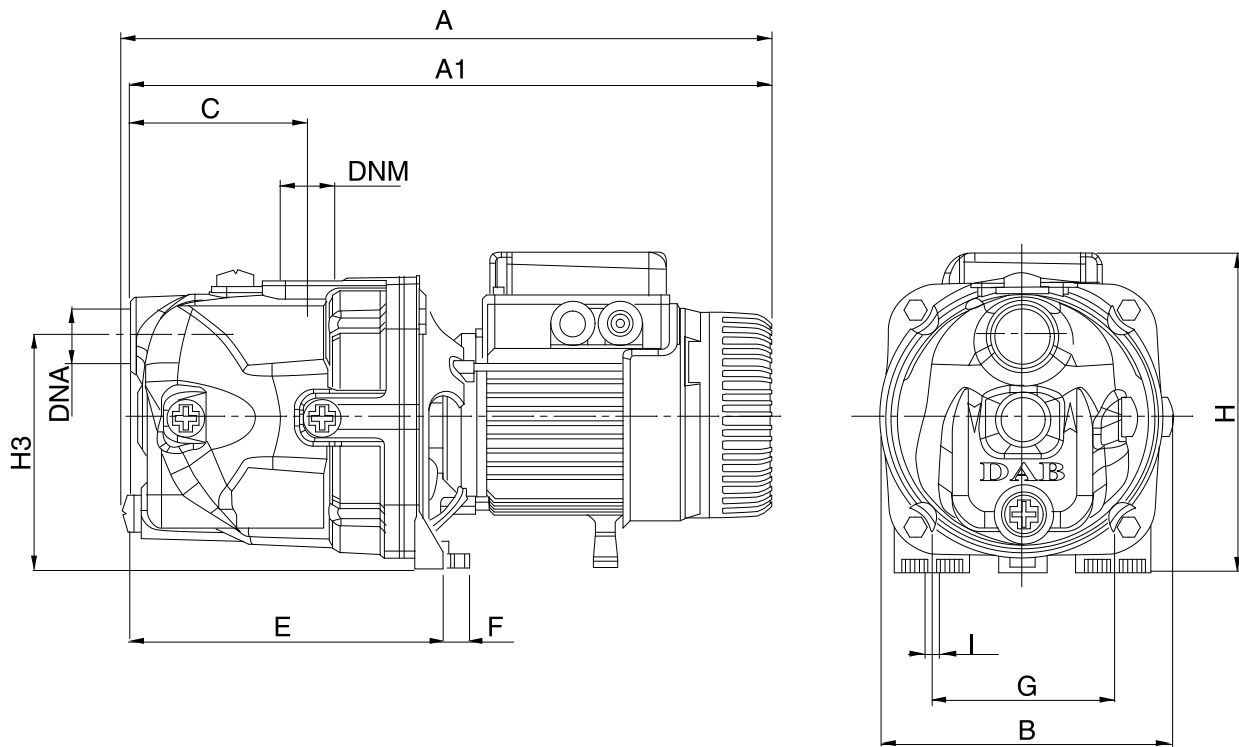
DAB PUMPS S.p.A.
Via Marco Polo, 14 - 35035 Mestrino (PD), Italy
Tel. +39 049 5125000 - Fax +39 049 5125950
www.dabpumps.com

Receiver

From

Company
Reference
Address
Phone
Fax
E-mail

JET 102 T IE3



Dimensions in mm						Pump connection	
1	A	430	1 Ø	9		Suction 1" G 0,6 MPa Discharge 1" G 0,6 MPa	
2	A1	425					
3	B	178					
4	C	108					
5	DNA	1" G					
6	DNM	1" G					
7	E	197					
8	F	14					
9	G	111					
10	H	203					
11	H3	144					

MAIN_PROJECT_TITLE	BUSINESS_PROCESS_ID	OWNER_	ISSUE_DATE 2023-03-17
--------------------	---------------------	--------	---------------------------------