

**Receiver**

**From**

Company  
Reference  
Address  
Phone  
Fax  
E-mail

**Item n° :** 60179385  
**Customer pos. no.:**  
Model : DKLP 50-1200 T IE3

**Pump data**  
MEI ≥ 0,5  
Pressure rating : 1 MPa  
Min. fluid temperature : -15 °C  
Max. fluid temperature : 120 °C  
Max. Ambient temperature : 40 °C

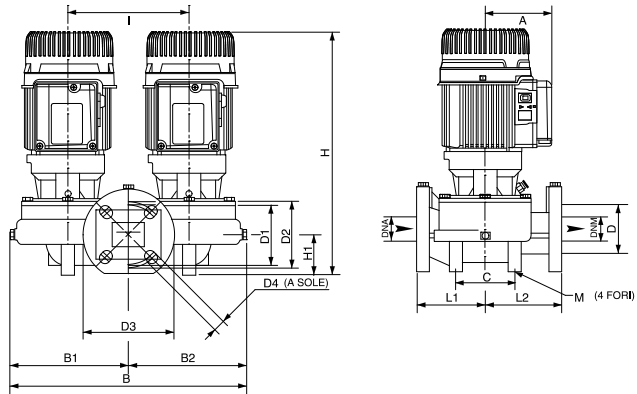
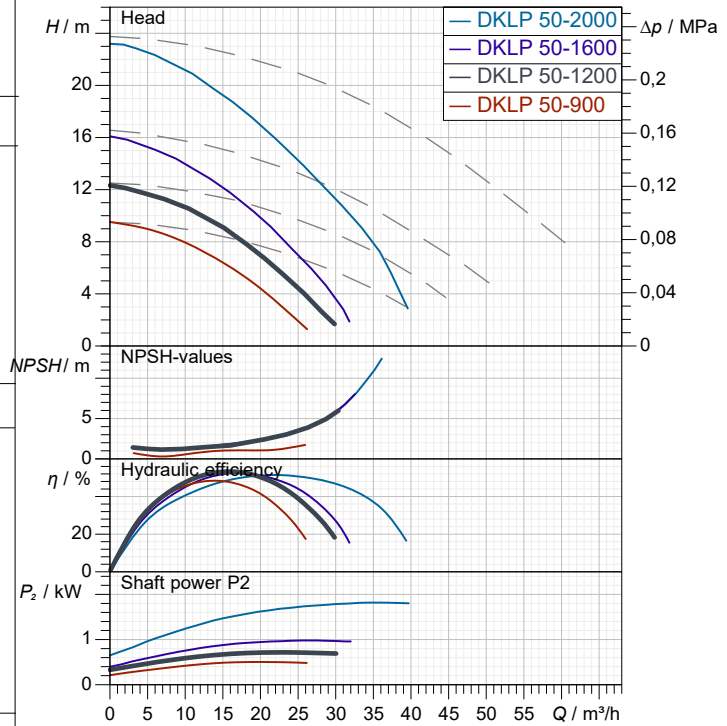
**Requested data**  
Flow :  
Head :  
Fluid (%) :  
Fluid Temperature : 20 °C  
Density : 998,3 kg/m³  
Kinematic viscosity : 1,005 mm²/s  
Vapor pressure : 0,00 MPa

**Hydraulic data (duty point)**  
Flow :  
Head :  
NPSH :  
Shaft power P2 :  
Efficiency :

**Materials**  
Pump body : Cast iron 250 UNI ISO 185  
Support : Cast iron 250 UNI ISO 185  
Impeller : Technopolymer B  
Mechanical seal : Carbon/Ceramic  
O-Ring : EPDM Rubber  
Shaft with rotor : AISI 303 X10 CrNiS 1809 UNI 6900/71

**Motor data**  
Motor brand : DAB  
Nominal power P2 : 1 X 0,72 kW  
Rated speed : 2.842 1/min  
Rated voltage : 3~ 230 V 50 Hz  
Nominal current : 1 X 3,72 A  
Degree of protection : IP 55

**Curve tolerance according to ISO 9906**  
Number of working motors : 1



**Weight :** 54,2 kg

**Dimensions in mm**

A	110	D3	165	L1	140
B	434	D4	4 asole 18'	L2	140
B1	217	DNA	50	M	4 fori 14
B2	217	DNM	50		
C	120	H	410		
D	90	H1	73		
D1	110	I	240		
D2	125	L	280		

**Pump connection**

Suction side : DN 50 / 1 MPa  
Discharge side : DN 50 / 1 MPa



# PERFORMANCE CURVES

2023-03-17

Page 2 / 3

DAB PUMPS S.p.A.  
Via Marco Polo, 14 - 35035 Mestrino (PD), Italy  
Tel. +39 049 5125000 - Fax +39 049 5125950  
www.dabpumps.com

Receiver

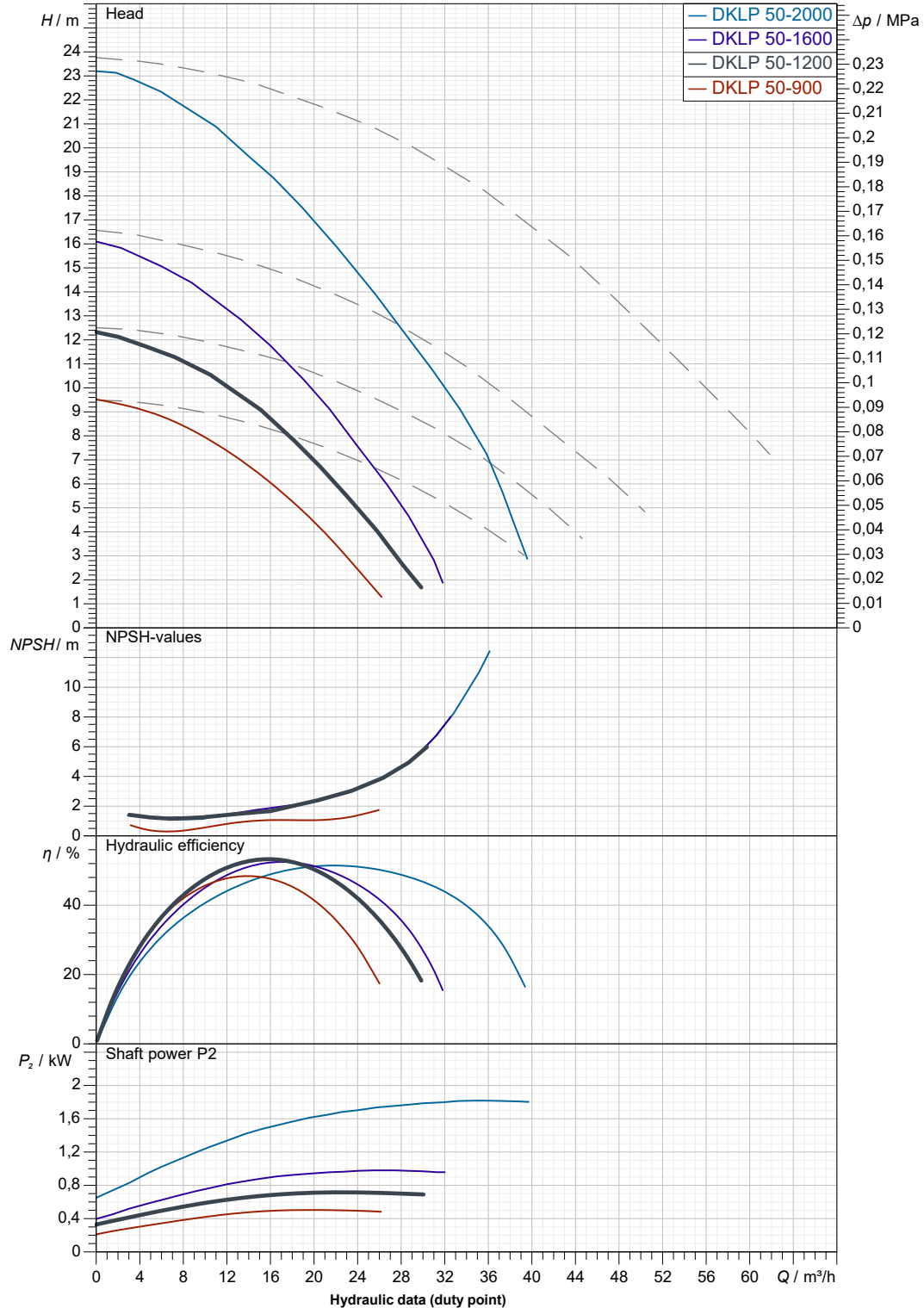
From

Company  
Reference  
Address  
Phone  
Fax  
E-mail

DKLP 50-1200 T IE3

Number of working motors : 1

Curve tolerance according to ISO 9906



Suction side :  
DN 50  
1 MPa

Discharge side :  
DN 50  
1 MPa

Flow :

Head :

Rated speed :  
2.842 1/min

MAIN\_PROJECT\_TITLE

BUSINESS\_PROCESS\_ID

OWNER\_

ISSUE\_DATE

2023-03-17



# DIMENSIONAL DRAWING

2023-03-17

Page 3 / 3

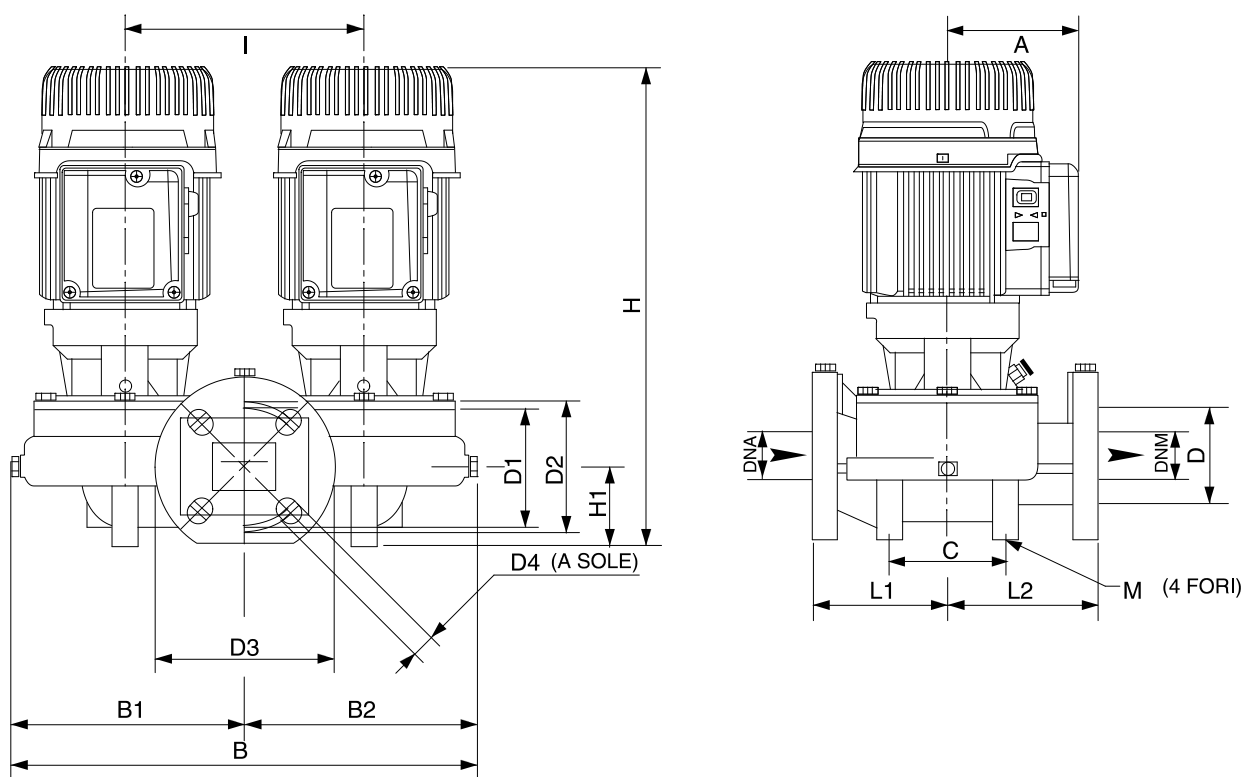
DAB PUMPS S.p.A.  
Via Marco Polo, 14 - 35035 Mestrino (PD), Italy  
Tel. +39 049 5125000 - Fax +39 049 5125950  
www.dabpumps.com

Receiver

From

Company  
Reference  
Address  
Phone  
Fax  
E-mail

## DKLP 50-1200 T IE3



**Dimensions in mm**

**Pump connection**

1	A	110	DNM	50		
2	B	434	H	410		Suction
3	B1	217	H1	73		DN 50
4	B2	217	I	240		1 MPa
5	C	120	L	280		
6	D	90	L1	140		
7	D1	110	L2	140		Discharge
8	D2	125	M	4 fori 14		DN 50
9	D3	165				1 MPa
10	D4	4 asole 18X23				
11	DNA	50				

MAIN\_PROJECT\_TITLE

BUSINESS\_PROCESS\_II

OWNER\_

ISSUE\_DATE

2023-03-17