



PERFORMANCE CURVES

2023-03-17

Page 2 / 3

DAB PUMPS S.p.A.
Via Marco Polo, 14 - 35035 Mestrino (PD), Italy
Tel. +39 049 5125000 - Fax +39 049 5125950
www.dabpumps.com

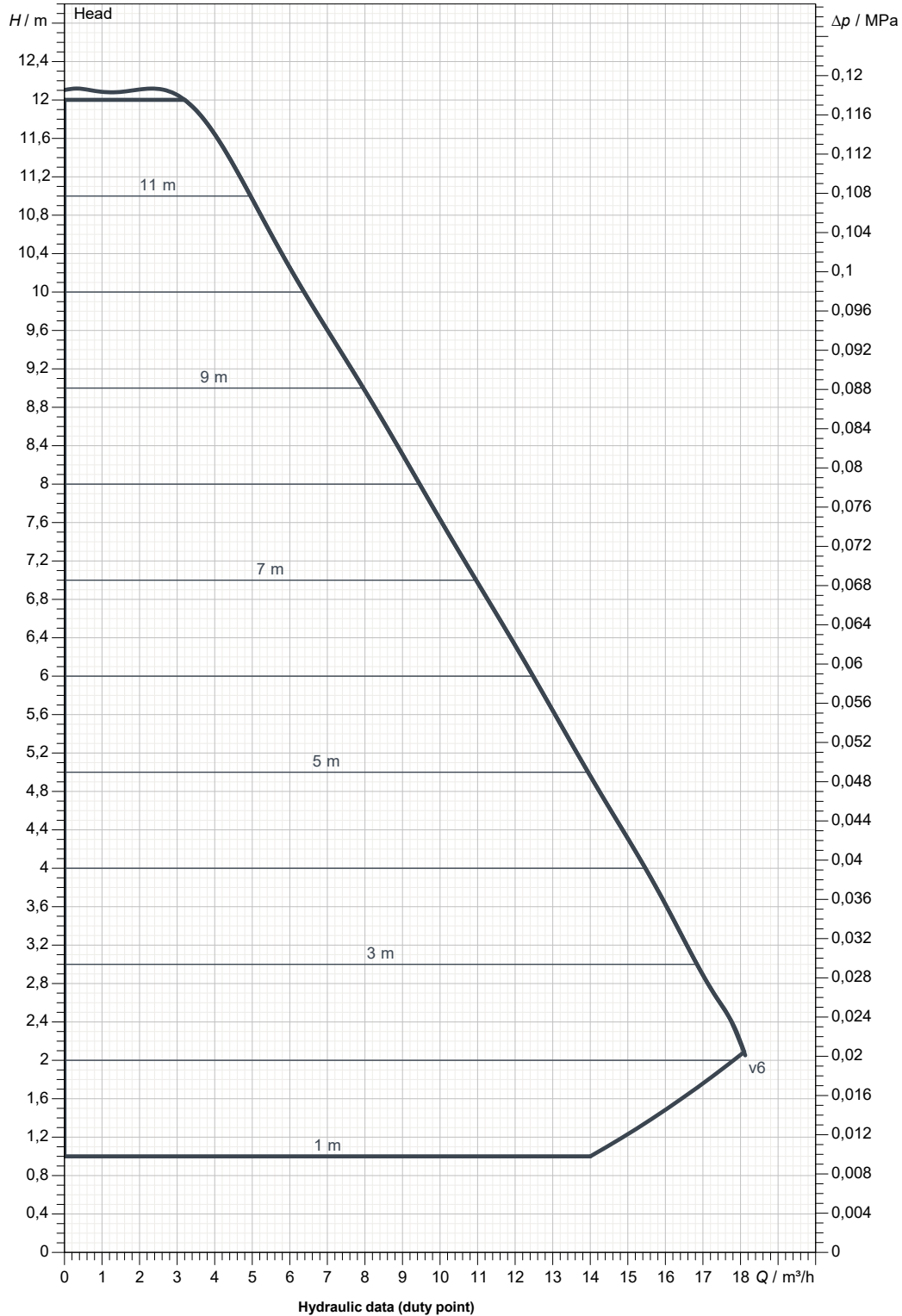
Receiver

From

Company
Reference
Address
Phone
Fax
E-mail

EVOPLUS B 120/220.32 SAN M

Curve tolerance according to ISO 9906



Suction side :
DN 32
PN 16

Discharge side :
DN 32
PN 16

Flow :

Head :

Rated speed :
2.900 1/min

MAIN_PROJECT_TITLE

BUSINESS_PROCESS_ID

OWNER_

ISSUE_DATE
2023-03-17



DIMENSIONAL DRAWING

2023-03-17

Page 3 / 3

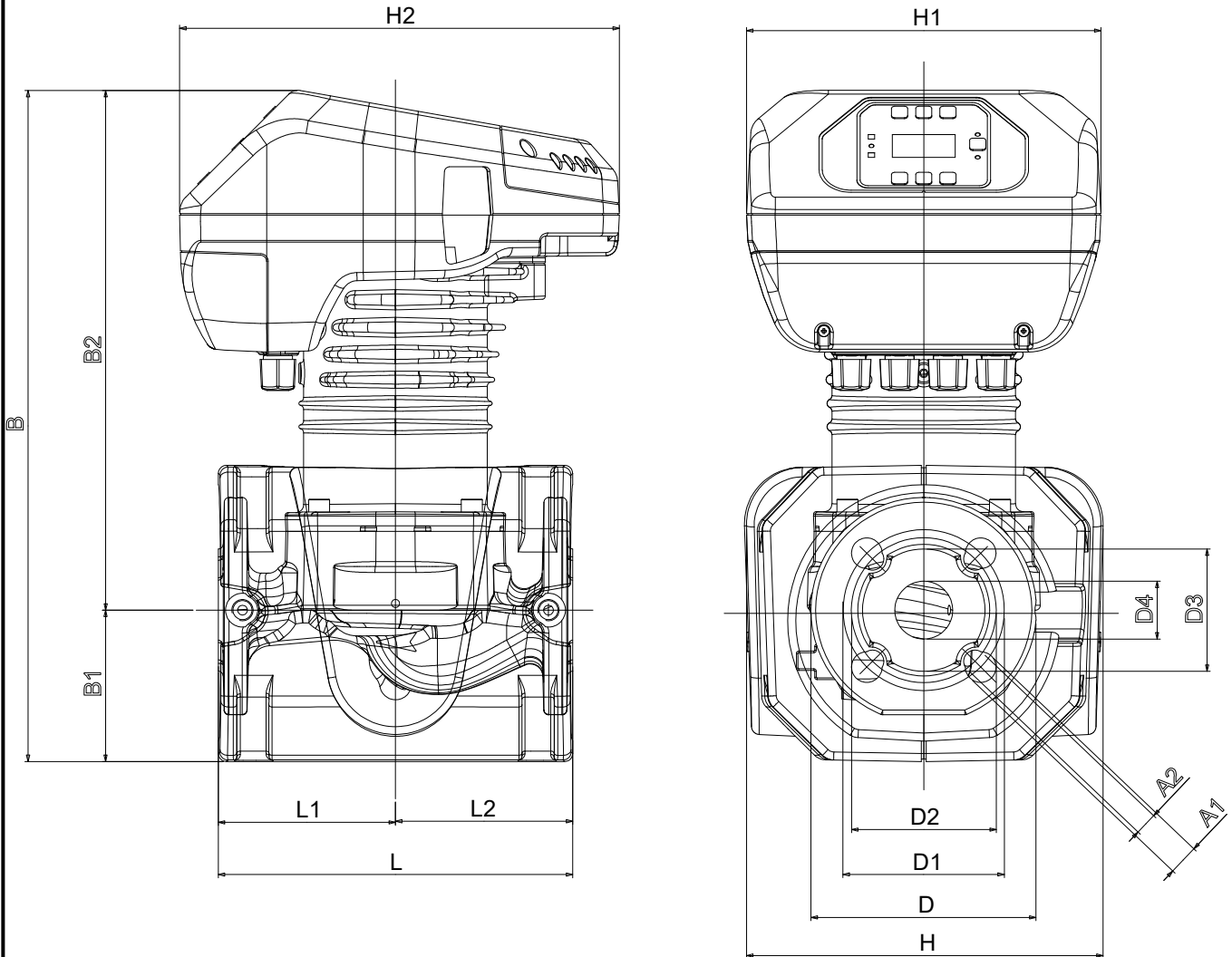
DAB PUMPS S.p.A.
Via Marco Polo, 14 - 35035 Mestrino (PD), Italy
Tel. +39 049 5125000 - Fax +39 049 5125950
www.dabpumps.com

Receiver

From

Company
Reference
Address
Phone
Fax
E-mail

EVOPLUS B 120/220.32 SAN M



| Dimensions in mm | | | | | Pump connection | |
|------------------|----|-----|----|-----|--|--|
| 1 | A1 | 19 | H1 | 220 | Suction DN 32 PN 16 Discharge DN 32 PN 16 | |
| 2 | A2 | 14 | H2 | 273 | | |
| 3 | B | 417 | L | 220 | | |
| 4 | B1 | 94 | L1 | 110 | | |
| 5 | B2 | 323 | L2 | 110 | | |
| 6 | D | 140 | | | | |
| 7 | D1 | 100 | | | | |
| 8 | D2 | 90 | | | | |
| 9 | D3 | 76 | | | | |
| 10 | D4 | 36 | | | | |
| 11 | H | 222 | | | | |

| | | | |
|--------------------|---------------------|-------|---------------------------------|
| MAIN_PROJECT_TITLE | BUSINESS_PROCESS_ID | OWNER | ISSUE_DATE 2023-03-17 |
|--------------------|---------------------|-------|---------------------------------|