

Receiver

From

Company
Reference
Address
Phone
Fax
E-mail

Item n° : Customer pos. no.:
60151154
Model :
EVOPLUS B 40/250.40 SAN M

Pump data

Pressure rating : 1,6 MPa
Min. fluid temperature : -10 °C
Max. fluid temperature : 110 °C
EEI : ≤ ***

Minimum suction head :

Temperature °C 90 100
Minimum suction head : m 20 25

Requested data

Flow :
Head :
Fluid (%) :
Fluid Temperature : 20 °C
Density : 998,3 kg/m³
Kinematic viscosity : 1,005 mm²/s
Vapor pressure : 0,00 MPa

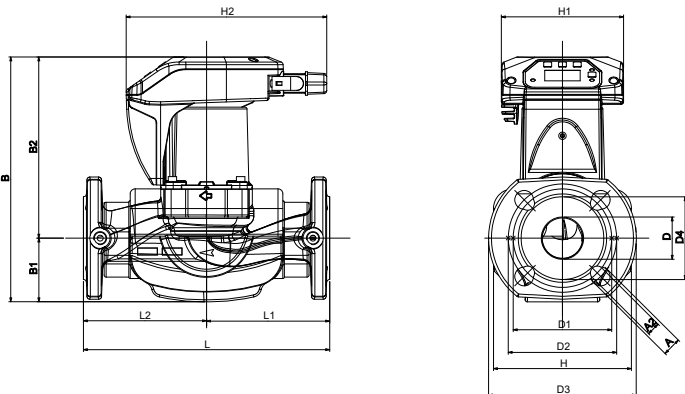
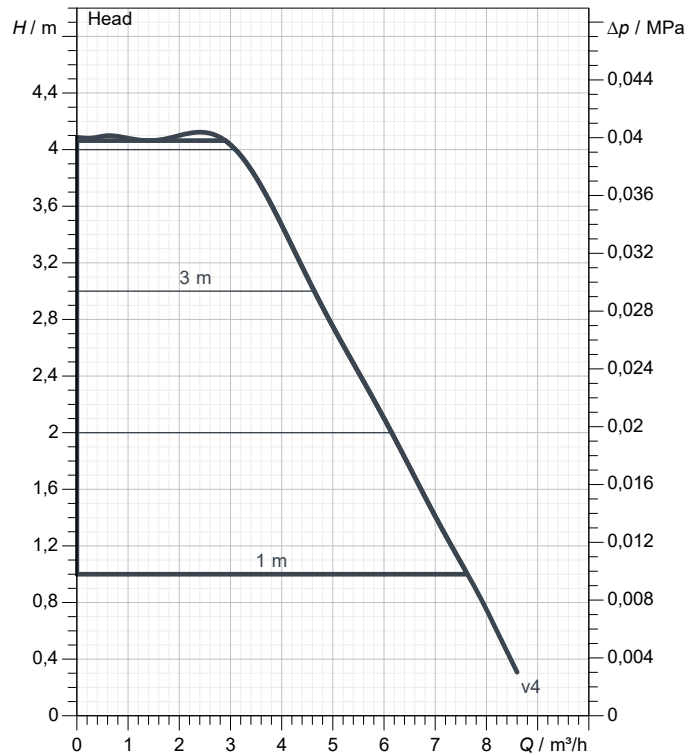
Hydraulic data (duty point)

Flow :
Head :

Materials

Pump body : Bronze
Impeller : Technopolymer
Motor shaft : Alumina
Seal ring : EPDM
Motor casing : Die cast aluminium
Closing flange : Stainless steel
Thrust ring support : EPDM

Curve tolerance according to ISO 9906



Motor data

Motor brand : DAB
Power input P1 : 0,075 kW
Rated voltage : 1~ 220-240 V 50 Hz
Nominal current : 0,55 A
Degree of protection : IP 44

Dimensions in mm

A	14	D2	110	L	250		
B	248	D3	150	L1	125		
B1	64	D4	84	L2	125		
B2	184	H	140				
D	43	H1	124				
D1	100	H2	204				

Weight : 9,3 kg

Pump connection

Suction side : DN 40 / PN 16
Discharge side : DN 40 / PN 16



WATER • TECHNOLOGY

PERFORMANCE CURVES

2023-03-17

Page 2 / 3

DAB PUMPS S.p.A.
Via Marco Polo, 14 - 35035 Mestrino (PD), Italy
Tel. +39 049 5125000 - Fax +39 049 5125950
www.dabpumps.com

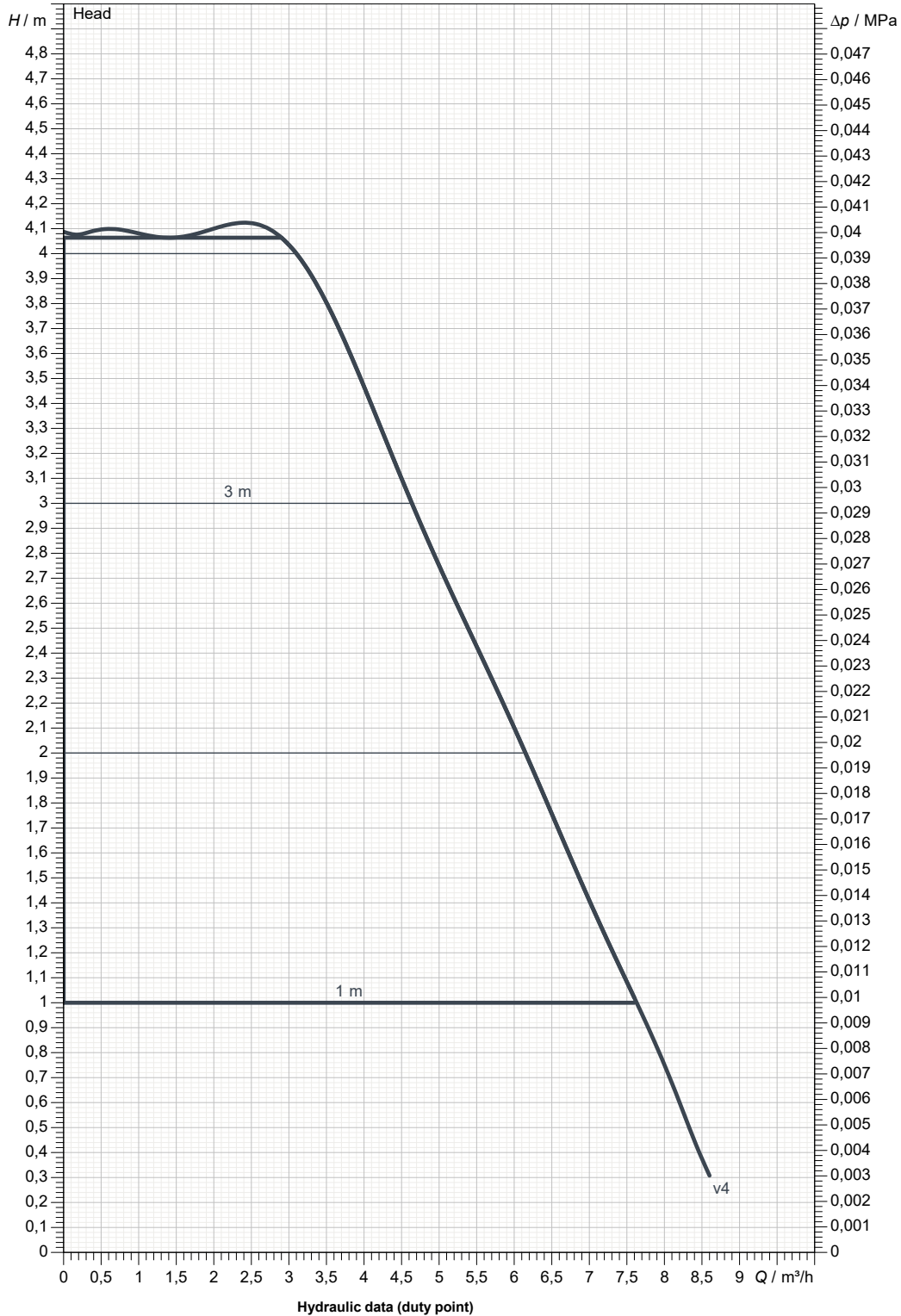
Receiver

From

Company
Reference
Address
Phone
Fax
E-mail

EVOPLUS B 40/250.40 SAN M

Curve tolerance according to ISO 9906



Suction side :
DN 40
PN 16

Discharge side :
DN 40
PN 16

Flow :

Head :

Rated speed :
2.900 1/min

MAIN_PROJECT_TITLE

BUSINESS_PROCESS_ID

OWNER_

ISSUE_DATE
2023-03-17



DIMENSIONAL DRAWING

2023-03-17

Page 3 / 3

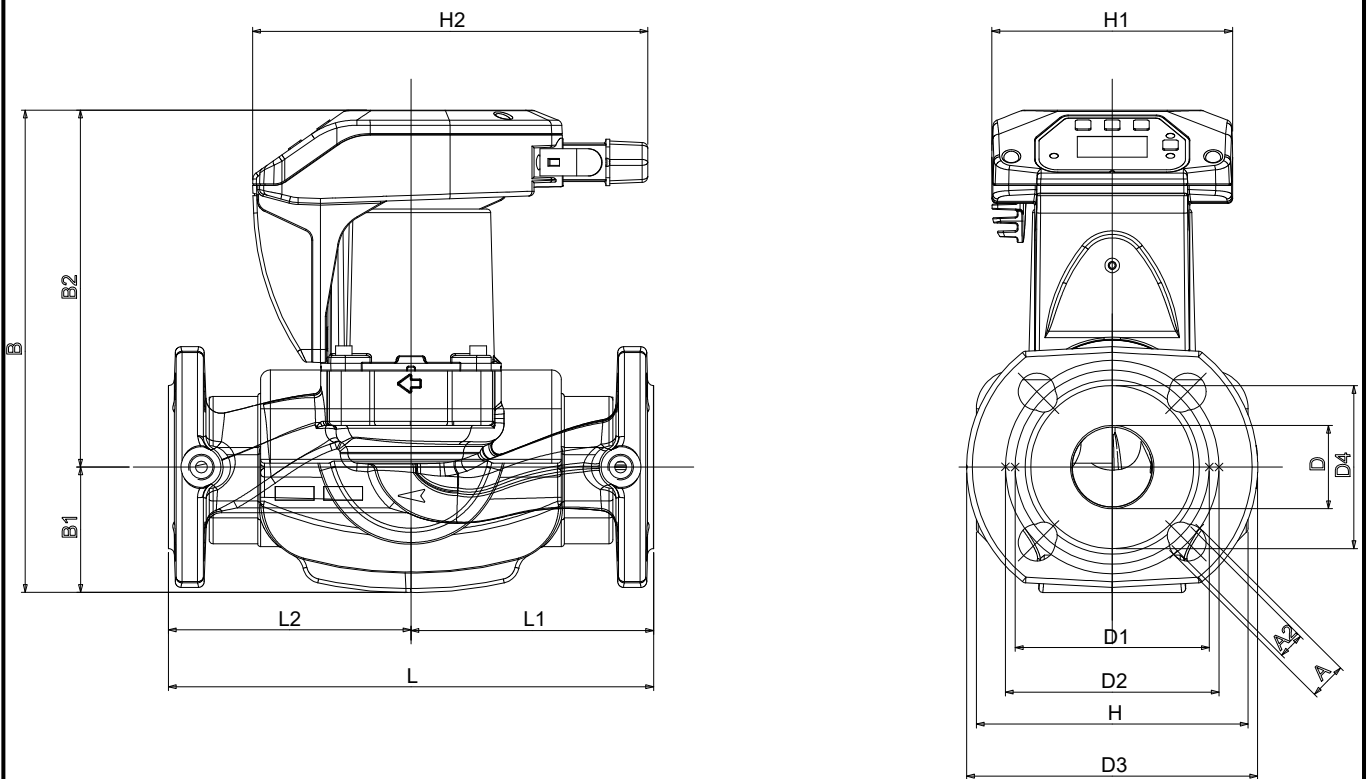
DAB PUMPS S.p.A.
Via Marco Polo, 14 - 35035 Mestrino (PD), Italy
Tel. +39 049 5125000 - Fax +39 049 5125950
www.dabpumps.com

Receiver

From

Company
Reference
Address
Phone
Fax
E-mail

EVOPLUS B 40/250.40 SAN M



Dimensions in mm					Pump connection	
1	A	14	H2	204	Suction DN 40 PN 16	
2	B	248	L	250		
3	B1	64	L1	125		
4	B2	184	L2	125		
5	D	43			Discharge DN 40 PN 16	
6	D1	100				
7	D2	110				
8	D3	150				
9	D4	84				
10	H	140				
11	H1	124				

MAIN_PROJECT_TITLE	BUSINESS_PROCESS_ID	OWNER	ISSUE_DATE 2023-03-17
--------------------	---------------------	-------	--------------------------