

Receiver

From

Company
Reference
Address
Phone
Fax
E-mail

Item n° : 60151030
Customer pos. no.:
Model : EVOPLUS D 120/450.100 M

Pump data

Pressure rating : 1,6 MPa
Min. fluid temperature : -10 °C
Max. fluid temperature : 110 °C
EEI : ≤ 0,20

Minimum suction head :

Temperature : °C 90 - 100
Minimum suction head : m 20 - 25

Requested data

Flow :
Head :
Fluid (%) :
Fluid Temperature : 20 °C
Density : 998,3 kg/m³
Kinematic viscosity : 1,005 mm²/s
Vapor pressure : 0,00 MPa

Hydraulic data (duty point)

Flow :
Head :

Materials

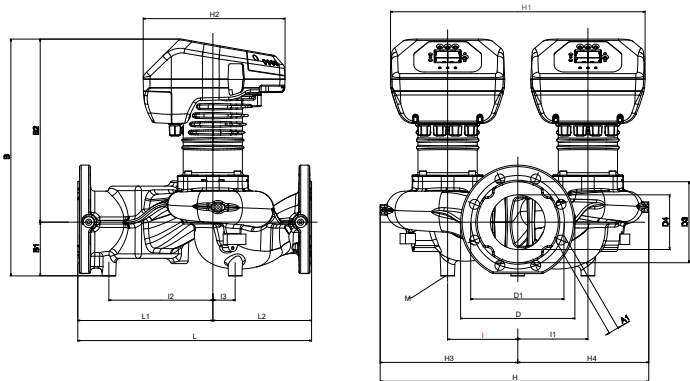
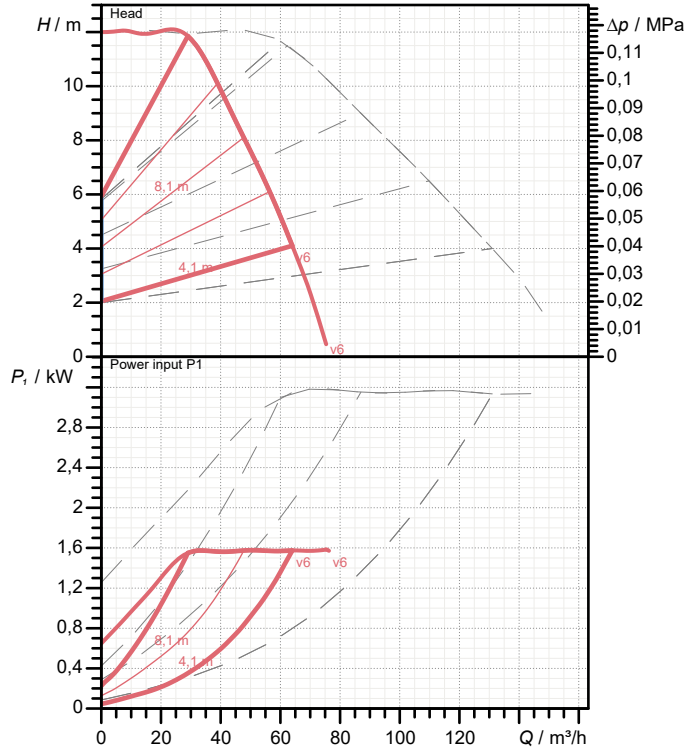
Pump body : Cast iron 250 UNI ISO 185 - CTF
Impeller : Technopolymer
Motor shaft : Stainless steel
Seal ring : EPDM
Motor casing : Die cast aluminium
Closing flange : Stainless steel
Thrust ring support : Stainless steel

Motor data

Motor brand : DAB
Power input P1 : 1 X 1,56 kW
Rated voltage : 1~ 220-240 V 50 Hz
Nominal current : 1 X 7 A
Degree of protection : IP 44

Curve tolerance according to ISO 9906

Number of working motors : 1



Dimensions in mm

| | | | | | | | |
|----|-----|----|-----|----|-----|----|-----|
| A1 | 19 | D3 | 156 | H4 | 252 | L1 | 260 |
| B | 456 | D4 | 105 | I | 135 | L2 | 190 |
| B1 | 103 | H | 517 | I1 | 135 | M | M12 |
| B2 | 353 | H1 | 490 | I2 | 200 | | |
| D | 220 | H2 | 273 | I3 | 43 | | |
| D1 | 180 | H3 | 265 | L | 450 | | |

Weight : 67,8 kg

Pump connection

Suction side : DN 100 / PN 6
Discharge side : DN 100 / PN 6



PERFORMANCE CURVES

2023-03-17

Page 2 / 3

DAB PUMPS S.p.A.
Via Marco Polo, 14 - 35035 Mestrino (PD), Italy
Tel. +39 049 5125000 - Fax +39 049 5125950
www.dabpumps.com

Receiver

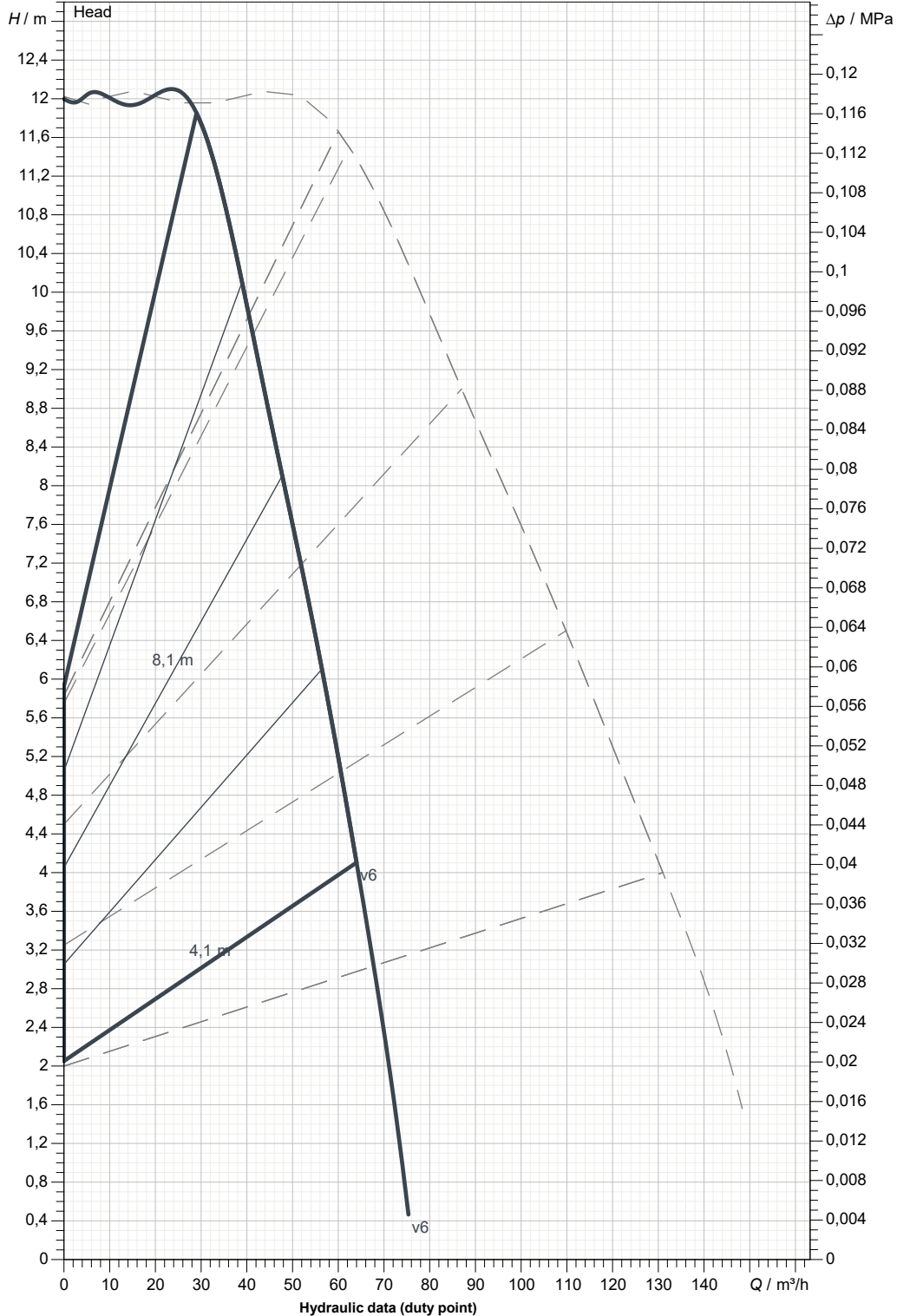
From

Company
Reference
Address
Phone
Fax
E-mail

EVOPLUS D 120/450.100 M

Number of working motors : 1

Curve tolerance according to ISO 9906



Suction side :
DN 100
PN 6

Discharge side :
DN 100
PN 6

Flow :

Head :

Rated speed :
2.900 1/min

MAIN_PROJECT_TITLE

BUSINESS_PROCESS_ID

OWNER_

ISSUE_DATE

2023-03-17



DIMENSIONAL DRAWING

2023-03-17

Page 3 / 3

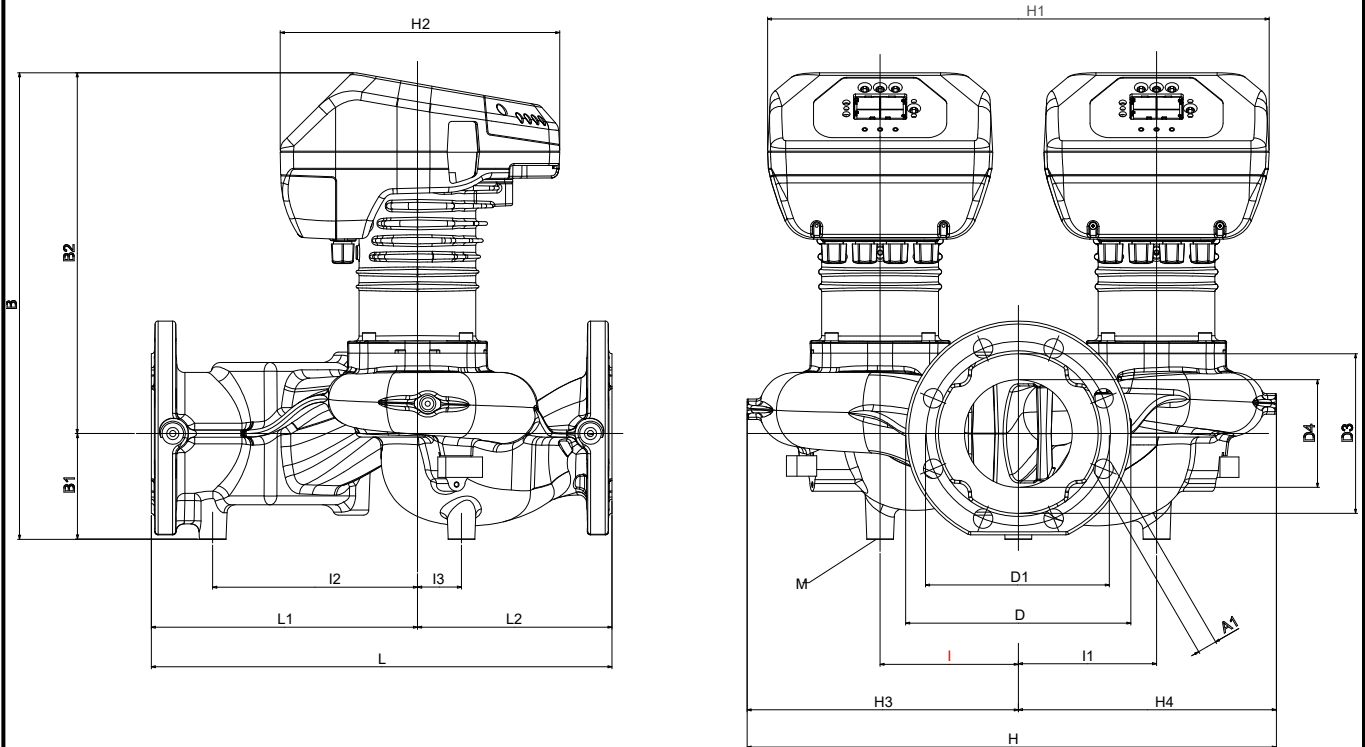
DAB PUMPS S.p.A.
Via Marco Polo, 14 - 35035 Mestrino (PD), Italy
Tel. +39 049 5125000 - Fax +39 049 5125950
www.dabpumps.com

Receiver

From

Company
Reference
Address
Phone
Fax
E-mail

EVOPLUS D 120/450.100 M



| Dimensions in mm | | | | | Pump connection | |
|------------------|----|-----|----|-----|---------------------------|-----------------------------|
| 1 | A1 | 19 | H3 | 265 | Suction DN 100 PN 6 | |
| 2 | B | 456 | H4 | 252 | | |
| 3 | B1 | 103 | I | 135 | | |
| 4 | B2 | 353 | I1 | 135 | | |
| 5 | D | 220 | I2 | 200 | | |
| 6 | D1 | 180 | I3 | 43 | | |
| 7 | D3 | 156 | L | 450 | | Discharge DN 100 PN 6 |
| 8 | D4 | 105 | L1 | 260 | | |
| 9 | H | 517 | L2 | 190 | | |
| 10 | H1 | 490 | M | M12 | | |
| 11 | H2 | 273 | | | | |

| | | | |
|--------------------|---------------------|-------|--------------------------|
| MAIN_PROJECT_TITLE | BUSINESS_PROCESS_ID | OWNER | ISSUE_DATE 2023-03-17 |
|--------------------|---------------------|-------|--------------------------|