

**Receiver**

**From**

Company  
Reference  
Address  
Phone  
Fax  
E-mail

**Item n° :** 60151023  
**Customer pos. no.:**  
**Model :** EVOPLUS D 80/360.80 M

**Pump data**  
Pressure rating : 1,6 MPa  
Min. fluid temperature : -10 °C  
Max. fluid temperature : 110 °C  
EEI : ≤ 0,20

**Minimum suction head :**  
Temperature : °C 90 - 100  
Minimum suction head : m 20 - 25

**Requested data**  
Flow :  
Head :  
Fluid (%) :  
Fluid Temperature : 20 °C  
Density : 998,3 kg/m³  
Kinematic viscosity : 1,005 mm²/s  
Vapor pressure : 0,00 MPa

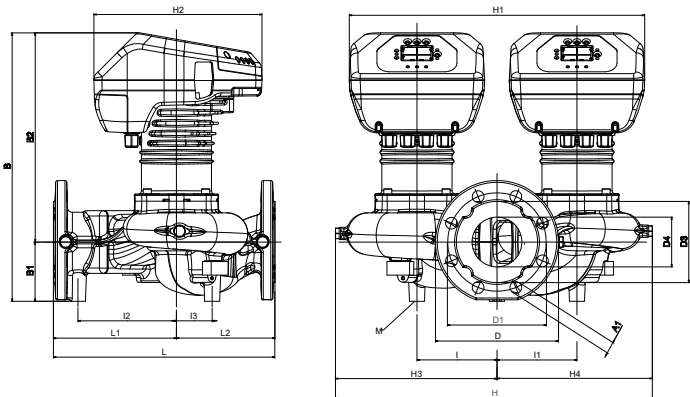
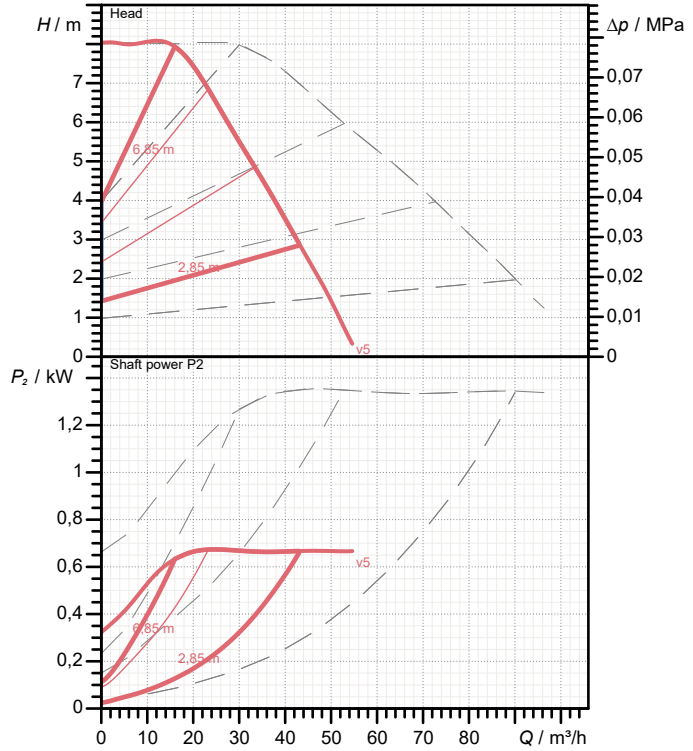
**Hydraulic data (duty point)**  
Flow :  
Head :

**Materials**  
Pump body : Cast iron 250 UNI ISO 185 - CTF  
Impeller : Technopolymer  
Motor shaft : Stainless steel  
Seal ring : EPDM  
Motor casing : Die cast aluminium  
Closing flange : Stainless steel  
Thrust ring support : Stainless steel

**Motor data**  
Motor brand : DAB  
Power input P1 : 1 X 0,67 kW  
Rated voltage : 1~ 220-240 V 50 Hz  
Nominal current : 1 X 3 A  
Degree of protection : IP 44

**Curve tolerance according to ISO 9906**

Number of working motors : 1



| Dimensions in mm        |              |
|-------------------------|--------------|
| A1                      | 19           |
| B                       | 437          |
| B1                      | 96           |
| B2                      | 341          |
| D                       | 200          |
| D1                      | 160          |
| D3                      | 132          |
| D4                      | 80           |
| H                       | 515          |
| H1                      | 480          |
| H2                      | 273          |
| H3                      | 262          |
| H4                      | 253          |
| I                       | 130          |
| I1                      | 130          |
| I2                      | 160          |
| I3                      | 58           |
| L                       | 360          |
| L1                      | 200          |
| L2                      | 160          |
| M                       | M12          |
| <b>Weight :</b> 55,4 kg |              |
| <b>Pump connection</b>  |              |
| Suction side :          | DN 80 / PN 6 |
| Discharge side :        | DN 80 / PN 6 |



# PERFORMANCE CURVES

2023-03-17

Page 2 / 3

DAB PUMPS S.p.A.  
Via Marco Polo, 14 - 35035 Mestrino (PD), Italy  
Tel. +39 049 5125000 - Fax +39 049 5125950  
www.dabpumps.com

Receiver

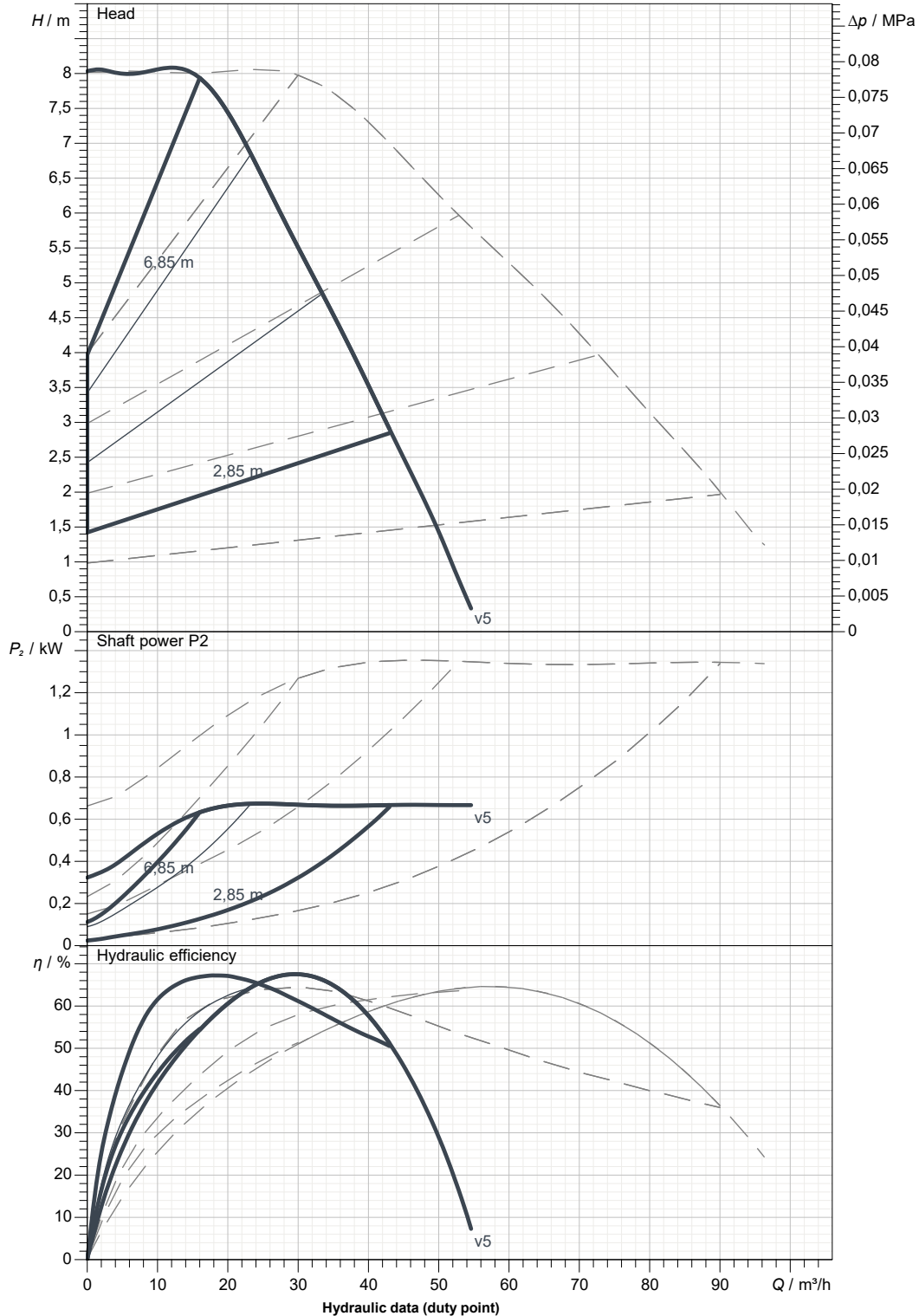
From

Company  
Reference  
Address  
Phone  
Fax  
E-mail

## EVOPLUS D 80/360.80 M

Number of working motors : 1

Curve tolerance according to ISO 9906



Suction side :  
DN 80  
PN 6

Discharge side :  
DN 80  
PN 6

Flow :

Head :

Rated speed :  
2.900 1/min

MAIN\_PROJECT\_TITLE

BUSINESS\_PROCESS\_ID

OWNER\_

ISSUE\_DATE  
2023-03-17



# DIMENSIONAL DRAWING

2023-03-17

Page 3 / 3

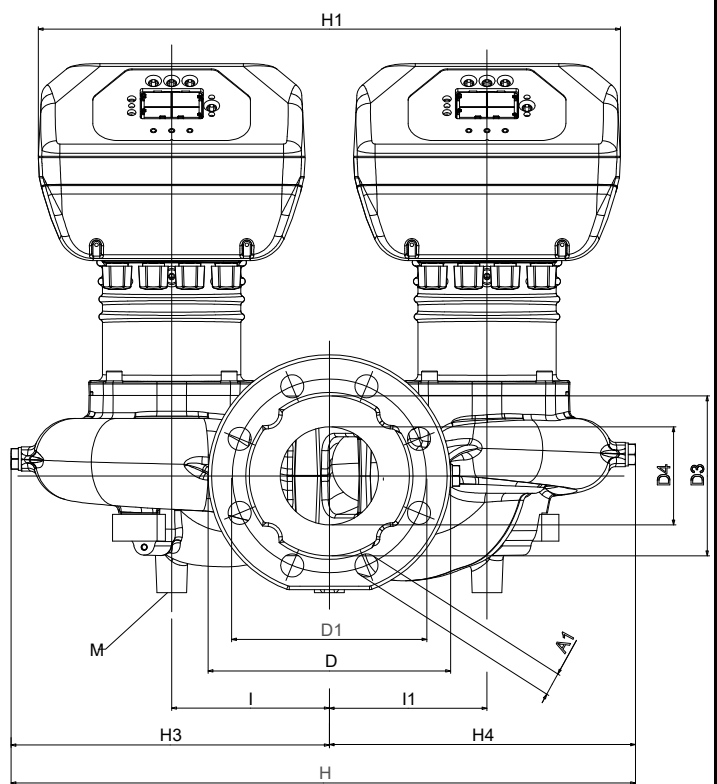
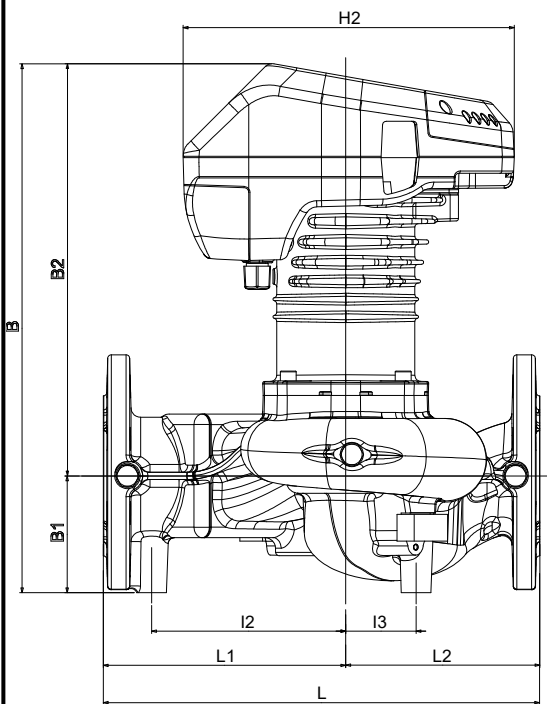
DAB PUMPS S.p.A.  
Via Marco Polo, 14 - 35035 Mestrino (PD), Italy  
Tel. +39 049 5125000 - Fax +39 049 5125950  
www.dabpumps.com

Receiver

From

Company  
Reference  
Address  
Phone  
Fax  
E-mail

## EVOPLUS D 80/360.80 M



| Dimensions in mm |    |     |    |     | Pump connection  |  |
|------------------|----|-----|----|-----|--|--|
| 1                | A1 | 19  | H3 | 262 | Suction<br>DN 80<br>PN 6<br><br>Discharge<br>DN 80<br>PN 6 |  |
| 2                | B  | 437 | H4 | 253 |  |  |
| 3                | B1 | 96  | I  | 130 |  |  |
| 4                | B2 | 341 | I1 | 130 |  |  |
| 5                | D  | 200 | I2 | 160 |  |  |
| 6                | D1 | 160 | I3 | 58  |  |  |
| 7                | D3 | 132 | L  | 360 |  |  |
| 8                | D4 | 80  | L1 | 200 |  |  |
| 9                | H  | 515 | L2 | 160 |  |  |
| 10               | H1 | 480 | M  | M12 |  |  |
| 11               | H2 | 273 |    |     |  |  |

|                    |                     |       |                          |
|--------------------|---------------------|-------|--------------------------|
| MAIN_PROJECT_TITLE | BUSINESS_PROCESS_ID | OWNER | ISSUE_DATE<br>2023-03-17 |
|--------------------|---------------------|-------|--------------------------|