

Receiver

From

Company
Reference
Address
Phone
Fax
E-mail

Item n° : 60151009
Customer pos. no.:
Model : EVOPLUS D 60/240.50 M

Pump data
Pressure rating : 1,6 MPa
Min. fluid temperature : -10 °C
Max. fluid temperature : 110 °C
EEI : ≤ 0,20

Minimum suction head :
Temperature : °C 90 - 100
Minimum suction head : m 20 - 25

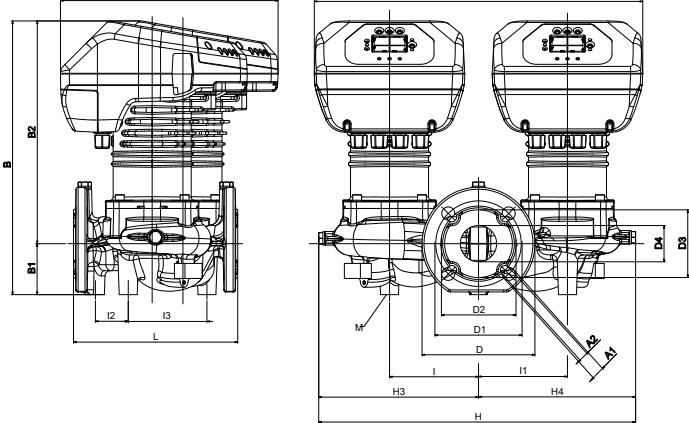
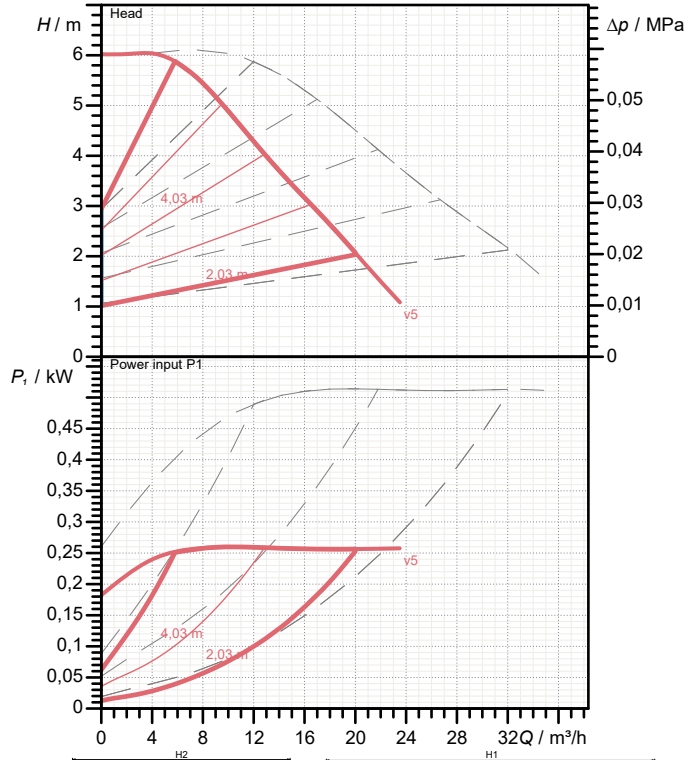
Requested data
Flow :
Head :
Fluid (%) :
Fluid Temperature : 20 °C
Density : 998,3 kg/m³
Kinematic viscosity : 1,005 mm²/s
Vapor pressure : 0,00 MPa

Hydraulic data (duty point)
Flow :
Head :

Materials
Pump body : Cast iron 250 UNI ISO 185 - CTF
Impeller : Technopolymer
Motor shaft : Stainless steel
Seal ring : EPDM
Motor casing : Die cast aluminium
Closing flange : Stainless steel
Thrust ring support : Stainless steel

Curve tolerance according to ISO 9906

Number of working motors : 1



Motor data
Motor brand : DAB
Power input P1 : 1 X 0,26 kW
Rated voltage : 1~ 220-240 V 50 Hz
Nominal current : 1 X 1,35 A
Degree of protection : IP 44

Dimensions in mm							
A1	19	D1	125	H2	318	I3	115
A2	14	D2	110	H3	233	L	240
B	400	D3	99	H4	230	M	M12
B1	75	D4	53	I	130		
B2	325	H	463	I1	130		
D	165	H1	480	I2	48		
Weight :		40 kg					
Pump connection							
Suction side :		DN 50 / PN6, PN10, PN16					
Discharge side :		DN 50 / PN6, PN10, PN16					



PERFORMANCE CURVES

2023-03-17

Page 2 / 3

DAB PUMPS S.p.A.
Via Marco Polo, 14 - 35035 Mestrino (PD), Italy
Tel. +39 049 5125000 - Fax +39 049 5125950
www.dabpumps.com

Receiver

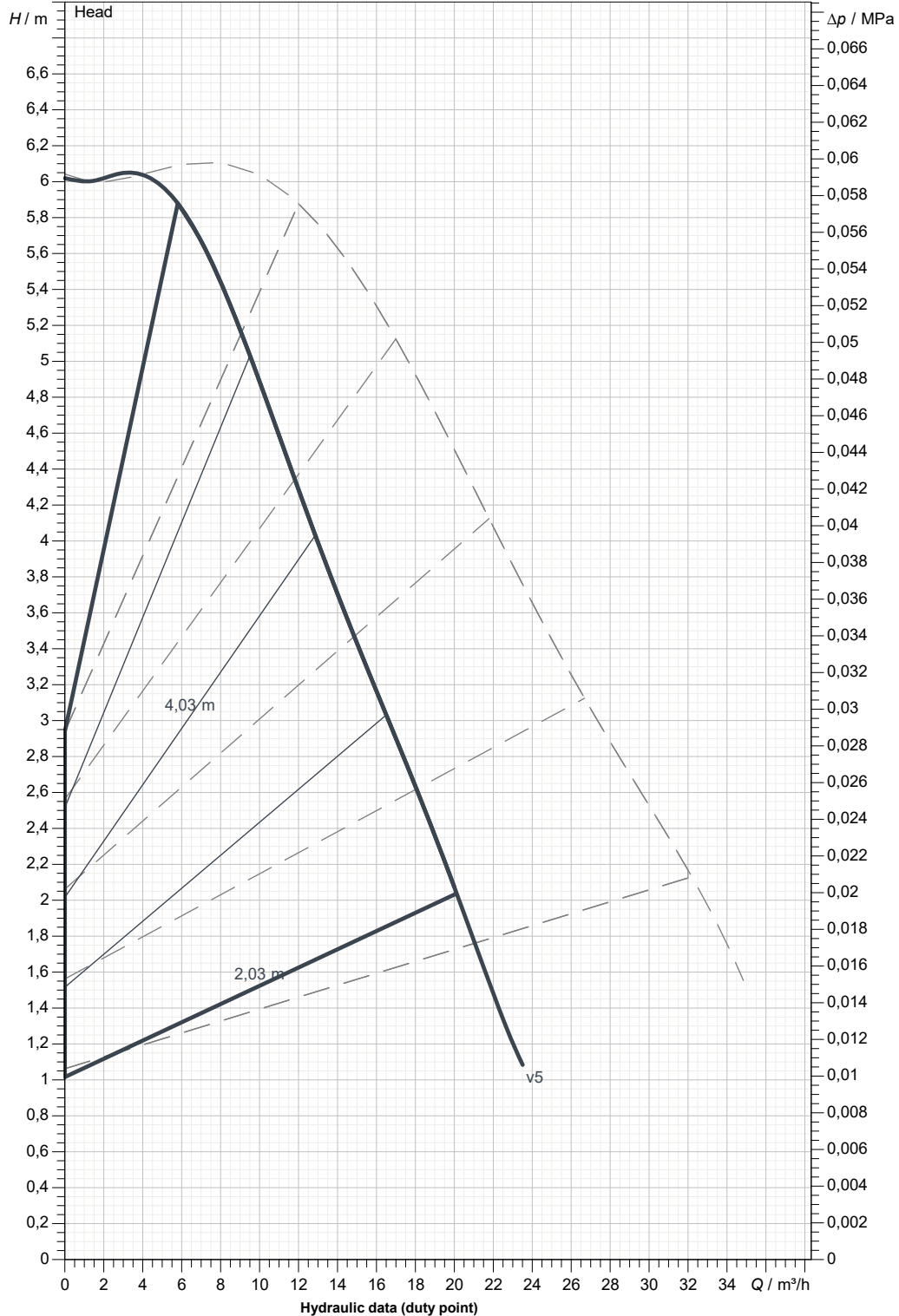
From

Company
Reference
Address
Phone
Fax
E-mail

EVOPLUS D 60/240.50 M

Number of working motors : 1

Curve tolerance according to ISO 9906



Suction side : DN 50 PN6, PN10, PN16	Discharge side : DN 50 PN6, PN10, PN16	Flow :	Head :	Rated speed : 2.900 1/min
MAIN_PROJECT_TITLE	BUSINESS_PROCESS_ID	OWNER_	ISSUE_DATE 2023-03-17	



DIMENSIONAL DRAWING

2023-03-17

Page 3 / 3

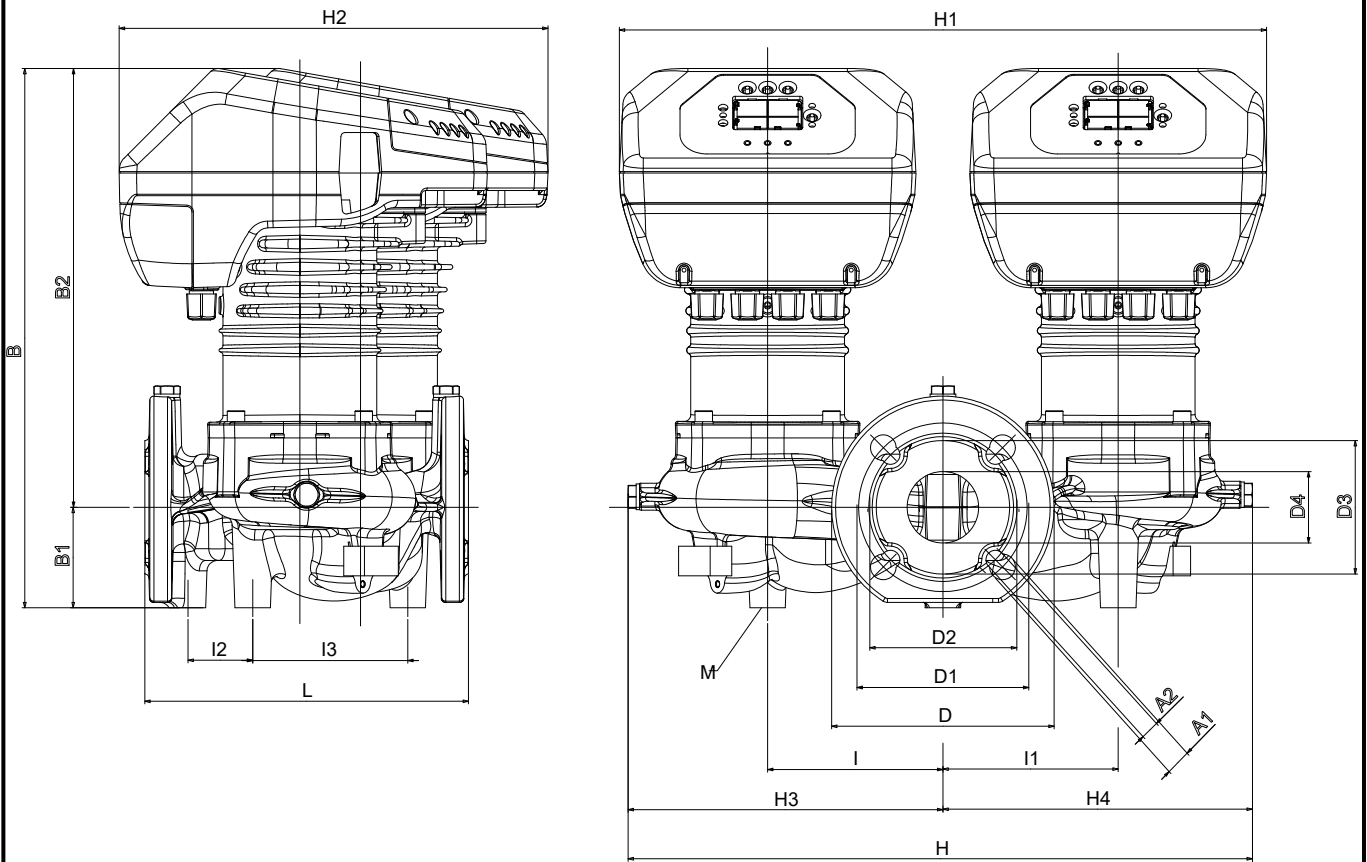
DAB PUMPS S.p.A.
Via Marco Polo, 14 - 35035 Mestrino (PD), Italy
Tel. +39 049 5125000 - Fax +39 049 5125950
www.dabpumps.com

Receiver

From

Company
Reference
Address
Phone
Fax
E-mail

EVOPLUS D 60/240.50 M



Dimensions in mm

Pump connection

1	A1	19	H1	480			
2	A2	14	H2	318			
3	B	400	H3	233			Suction
4	B1	75	H4	230			DN 50
5	B2	325	I	130			PN6, PN10, PN16
6	D	165	I1	130			
7	D1	125	I2	48			Discharge
8	D2	110	I3	115			DN 50
9	D3	99	L	240			PN6, PN10, PN16
10	D4	53	M	M12			
11	H	463					

MAIN_PROJECT_TITLE

BUSINESS_PROCESS_ID

OWNER

ISSUE_DATE

2023-03-17