

### Receiver

### From

Company  
Reference  
Address  
Phone  
Fax  
E-mail

**Item n° :** 60151003  
**Customer pos. no.:**  
**Model :** EVOPLUS D 80/220.40 M

**Pump data**  
Pressure rating : 1,6 MPa  
Min. fluid temperature : -10 °C  
Max. fluid temperature : 110 °C  
EEI : ≤ 0,20

**Minimum suction head :**  
Temperature : °C 90 - 100  
Minimum suction head : m 20 - 25

**Requested data**  
Flow :  
Head :  
Fluid (%) :  
Fluid Temperature : 20 °C  
Density : 998,3 kg/m³  
Kinematic viscosity : 1,005 mm²/s  
Vapor pressure : 0,00 MPa

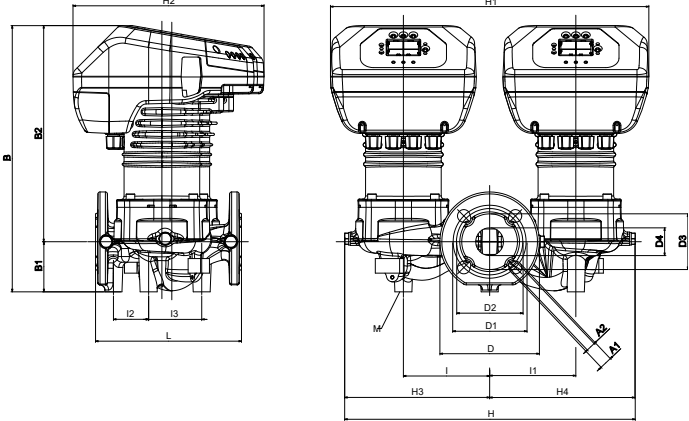
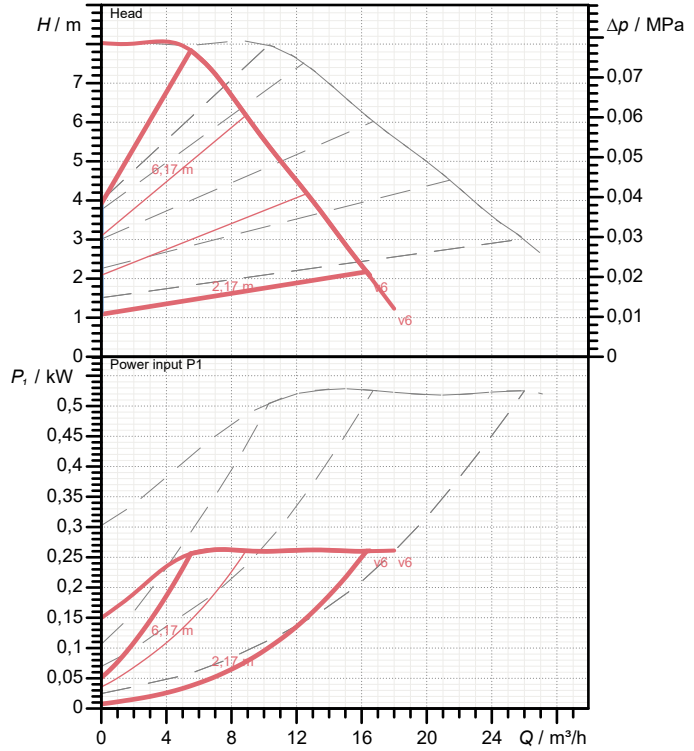
**Hydraulic data (duty point)**  
Flow :  
Head :

**Materials**  
Pump body : Cast iron 250 UNI ISO 185 - CTF  
Impeller : Technopolymer  
Motor shaft : Stainless steel  
Seal ring : EPDM  
Motor casing : Die cast aluminium  
Closing flange : Stainless steel  
Thrust ring support : Stainless steel

**Motor data**  
Motor brand : DAB  
Power input P1 : 1 X 0,26 kW  
Rated voltage : 1~ 220-240 V 50 Hz  
Nominal current : 1 X 1,35 A  
Degree of protection : IP 44

### Curve tolerance according to ISO 9906

Number of working motors : 1



Dimensions in mm	
A1	19
A2	14
B	436
B1	75
B2	361
D	150
D1	110
D2	100
D3	84
D4	42
H	438
H1	480
H2	288
H3	219
H4	218
I	130
I1	130
I2	53
I3	80
L	220
M	M12
<b>Weight :</b> 38,6 kg	
<b>Pump connection</b>	
Suction side :	DN 40 / PN6, PN10, PN16
Discharge side :	DN 40 / PN6, PN10, PN16



# PERFORMANCE CURVES

2023-03-17

Page 2 / 3

DAB PUMPS S.p.A.  
Via Marco Polo, 14 - 35035 Mestrino (PD), Italy  
Tel. +39 049 5125000 - Fax +39 049 5125950  
www.dabpumps.com

Receiver

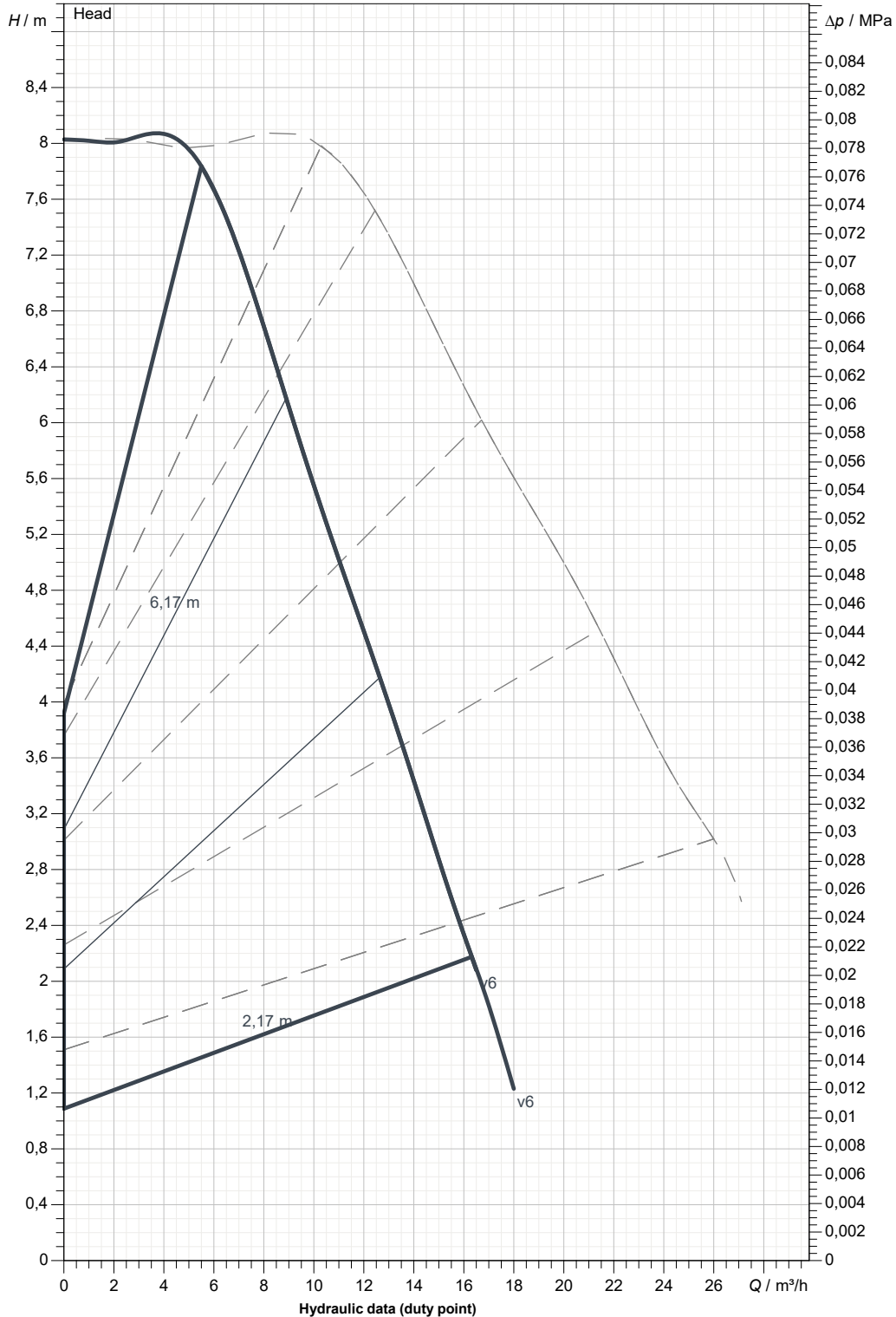
From

Company  
Reference  
Address  
Phone  
Fax  
E-mail

## EVOPLUS D 80/220.40 M

Number of working motors : 1

Curve tolerance according to ISO 9906



Suction side : DN 40 PN6, PN10, PN16	Discharge side : DN 40 PN6, PN10, PN16	Flow :	Head :	Rated speed : 2.900 1/min
MAIN_PROJECT_TITLE	BUSINESS_PROCESS_ID	OWNER_	ISSUE_DATE 2023-03-17	



# DIMENSIONAL DRAWING

2023-03-17

Page 3 / 3

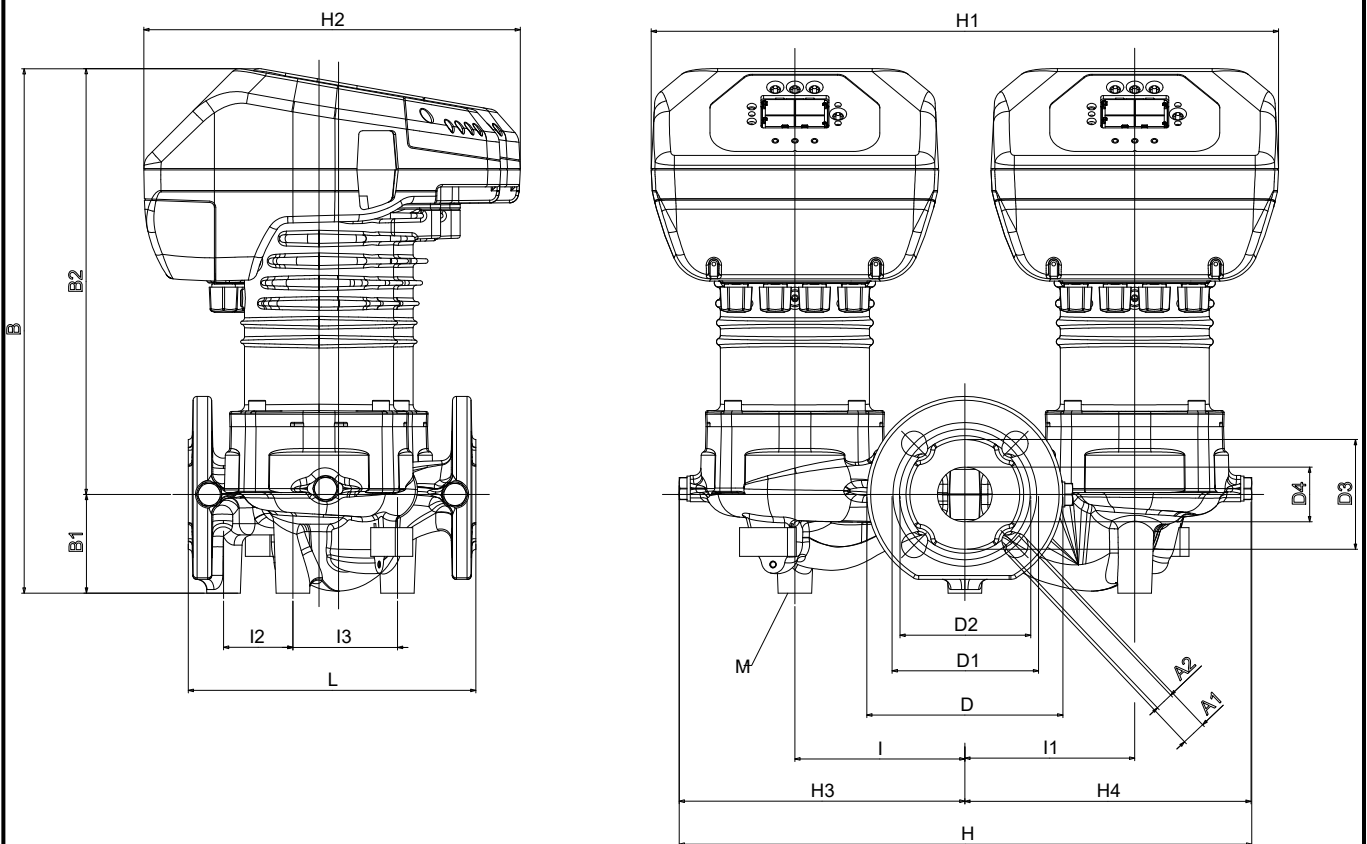
DAB PUMPS S.p.A.  
Via Marco Polo, 14 - 35035 Mestrino (PD), Italy  
Tel. +39 049 5125000 - Fax +39 049 5125950  
www.dabpumps.com

Receiver

From

Company  
Reference  
Address  
Phone  
Fax  
E-mail

## EVOPLUS D 80/220.40 M



Dimensions in mm					Pump connection	
1	A1	19	H1	480		
2	A2	14	H2	288		Suction
3	B	436	H3	219		DN 40
4	B1	75	H4	218		PN6, PN10, PN16
5	B2	361	I	130		
6	D	150	I1	130		
7	D1	110	I2	53		Discharge
8	D2	100	I3	80		DN 40
9	D3	84	L	220		PN6, PN10, PN16
10	D4	42	M	M12		
11	H	438				

MAIN_PROJECT_TITLE	BUSINESS_PROCESS_ID	OWNER	ISSUE_DATE <b>2023-03-17</b>
--------------------	---------------------	-------	---------------------------------