

Receiver

From

Company
Reference
Address
Phone
Fax
E-mail

Item n° : 60151000
Customer pos. no.:
Model : EVOPLUS D 120/220.32 M

Pump data

Pressure rating : 1,6 MPa
Min. fluid temperature : -10 °C
Max. fluid temperature : 110 °C
EEI : ≤ 0,20

Minimum suction head :

Temperature : °C 90 - 100
Minimum suction head : m 20 - 25

Requested data

Flow :
Head :
Fluid (%) :
Fluid Temperature : 20 °C
Density : 998,3 kg/m³
Kinematic viscosity : 1,005 mm²/s
Vapor pressure : 0,00 MPa

Hydraulic data (duty point)

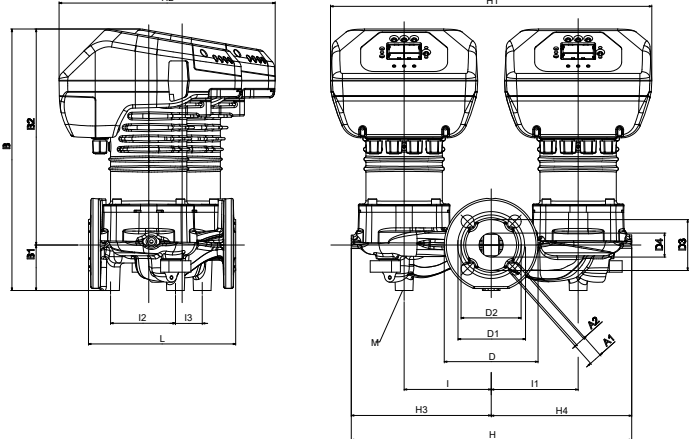
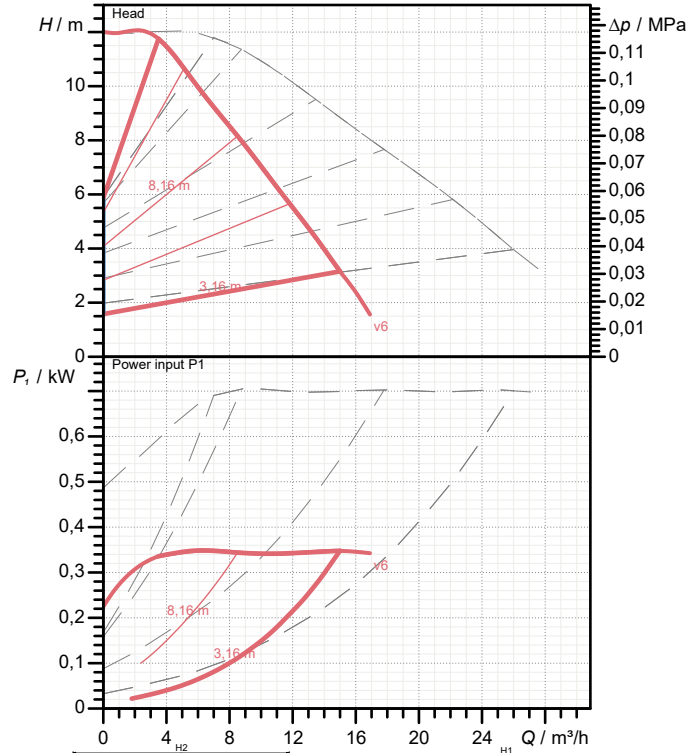
Flow :
Head :

Materials

Pump body : Cast iron 250 UNI ISO 185 - CTF
Impeller : Technopolymer
Motor shaft : Stainless steel
Seal ring : EPDM
Motor casing : Die cast aluminium
Closing flange : Stainless steel
Thrust ring support : Stainless steel

Curve tolerance according to ISO 9906

Number of working motors : 1



Motor data

Motor brand : DAB
Power input P1 : 1 X 0,34 kW
Rated voltage : 1~ 220-240 V 50 Hz
Nominal current : 1 X 1,7 A
Degree of protection : IP 44

Dimensions in mm

A1	19	D1	100	H2	323	I3	40
A2	14	D2	90	H3	209	L	220
B	391	D3	76	H4	210	M	M12
B1	68	D4	36	I	130		
B2	323	H	419	I1	130		
D	140	H1	480	I2	97		

Weight : 36,2 kg

Pump connection

Suction side : DN 32 / PN6, PN10, PN16
Discharge side : DN 32 / PN6, PN10, PN16



PERFORMANCE CURVES

2023-03-17

Page 2 / 3

DAB PUMPS S.p.A.
Via Marco Polo, 14 - 35035 Mestrino (PD), Italy
Tel. +39 049 5125000 - Fax +39 049 5125950
www.dabpumps.com

Receiver

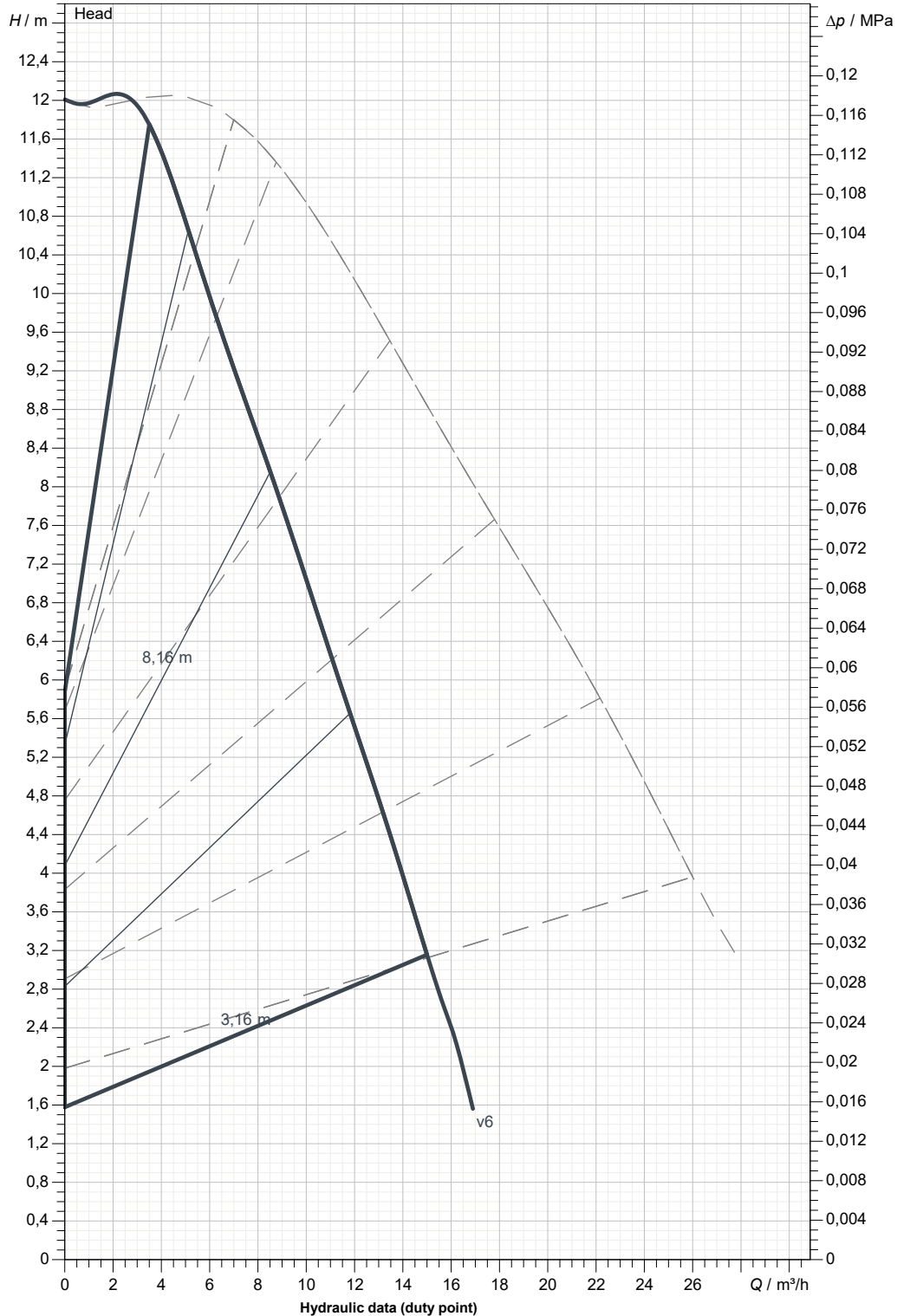
From

Company
Reference
Address
Phone
Fax
E-mail

EVOPLUS D 120/220.32 M

Number of working motors : 1

Curve tolerance according to ISO 9906



Suction side : DN 32 PN6, PN10, PN16	Discharge side : DN 32 PN6, PN10, PN16	Flow :	Head :	Rated speed : 2.900 1/min
MAIN_PROJECT_TITLE	BUSINESS_PROCESS_ID	OWNER_	ISSUE_DATE 2023-03-17	



DIMENSIONAL DRAWING

2023-03-17

Page 3 / 3

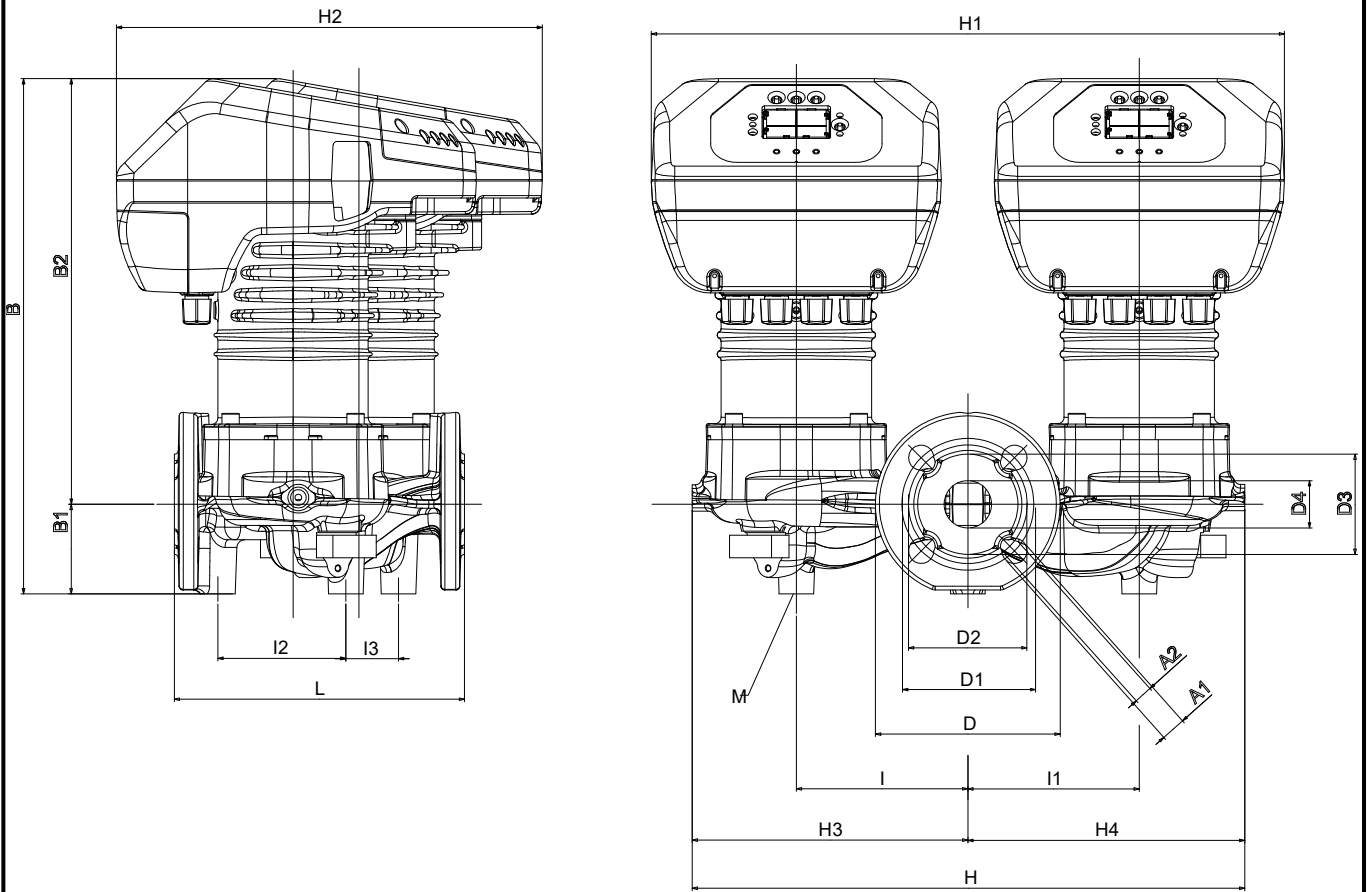
DAB PUMPS S.p.A.
Via Marco Polo, 14 - 35035 Mestrino (PD), Italy
Tel. +39 049 5125000 - Fax +39 049 5125950
www.dabpumps.com

Receiver

From

Company
Reference
Address
Phone
Fax
E-mail

EVOPLUS D 120/220.32 M



Dimensions in mm					Pump connection	
1	A1	19	H1	480	Suction DN 32 PN6, PN10, PN16 Discharge DN 32 PN6, PN10, PN16	
2	A2	14	H2	323		
3	B	391	H3	209		
4	B1	68	H4	210		
5	B2	323	I	130		
6	D	140	I1	130		
7	D1	100	I2	97		
8	D2	90	I3	40		
9	D3	76	L	220		
10	D4	36	M	M12		
11	H	419				

MAIN_PROJECT_TITLE	BUSINESS_PROCESS_ID	OWNER	ISSUE_DATE 2023-03-17
--------------------	---------------------	-------	---------------------------------