

Receiver

From

Company
Reference
Address
Phone
Fax
E-mail

Item n° : **Customer pos. no.:**
60150999
Model :
EVOPLUS B 120/450.100 M

Pump data

Pressure rating : 1,6 MPa
Min. fluid temperature : -10 °C
Max. fluid temperature : 110 °C
EEI : ≤ 0,20

Minimum suction head :

Temperature °C 90 100
Minimum suction head : m 20 25

Requested data

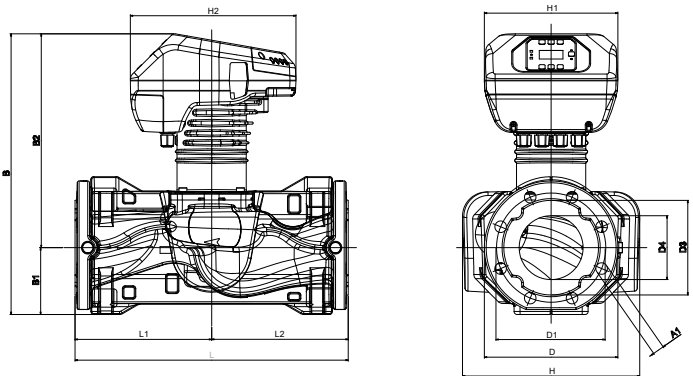
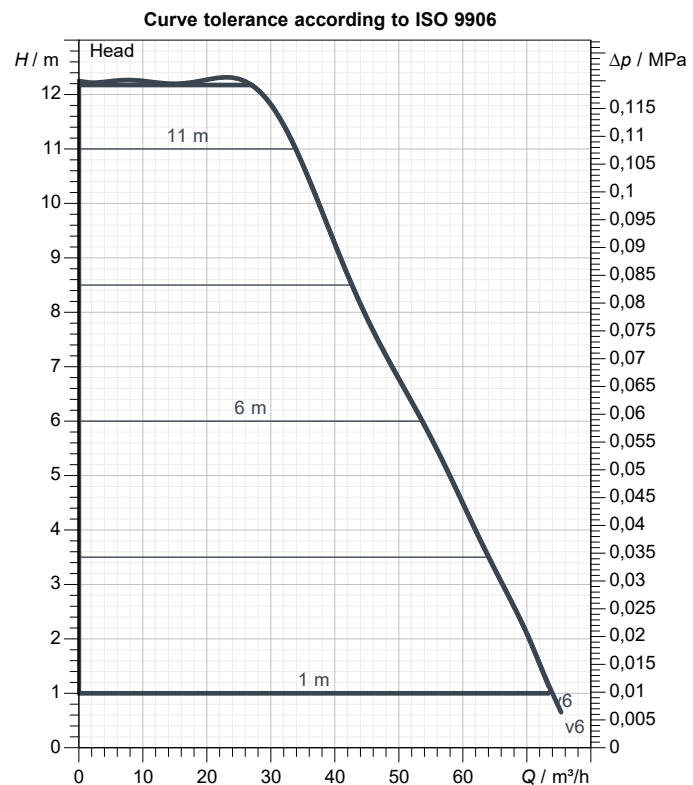
Flow :
Head :
Fluid (%) :
Fluid Temperature : 20 °C
Density : 998,3 kg/m³
Kinematic viscosity : 1,005 mm²/s
Vapor pressure : 0,00 MPa

Hydraulic data (duty point)

Flow :
Head :

Materials

Pump body Cast iron 250 UNI ISO 185 - CTF
Impeller Technopolymer
Motor shaft Stainless steel
Seal ring EPDM
Motor casing Die cast aluminium
Closing flange Stainless steel
Thrust ring support Stainless steel



Motor data

Motor brand : DAB
Power input P1 : 1,56 kW
Rated voltage : 1~ 220-240 V 50 Hz
Nominal current : 7 A
Degree of protection : IP 44

Dimensions in mm

A1	19	D3	156	L1	225			
B	463	D4	105	L2	225			
B1	110	H	292					
B2	353	H1	220					
D	220	H2	273					
D1	180	L	450					

Weight : 36,3 kg

Pump connection

Suction side : DN 100 / PN 6
Discharge side : DN 100 / PN 6



PERFORMANCE CURVES

2023-03-17

Page 2 / 3

DAB PUMPS S.p.A.
Via Marco Polo, 14 - 35035 Mestrino (PD), Italy
Tel. +39 049 5125000 - Fax +39 049 5125950
www.dabpumps.com

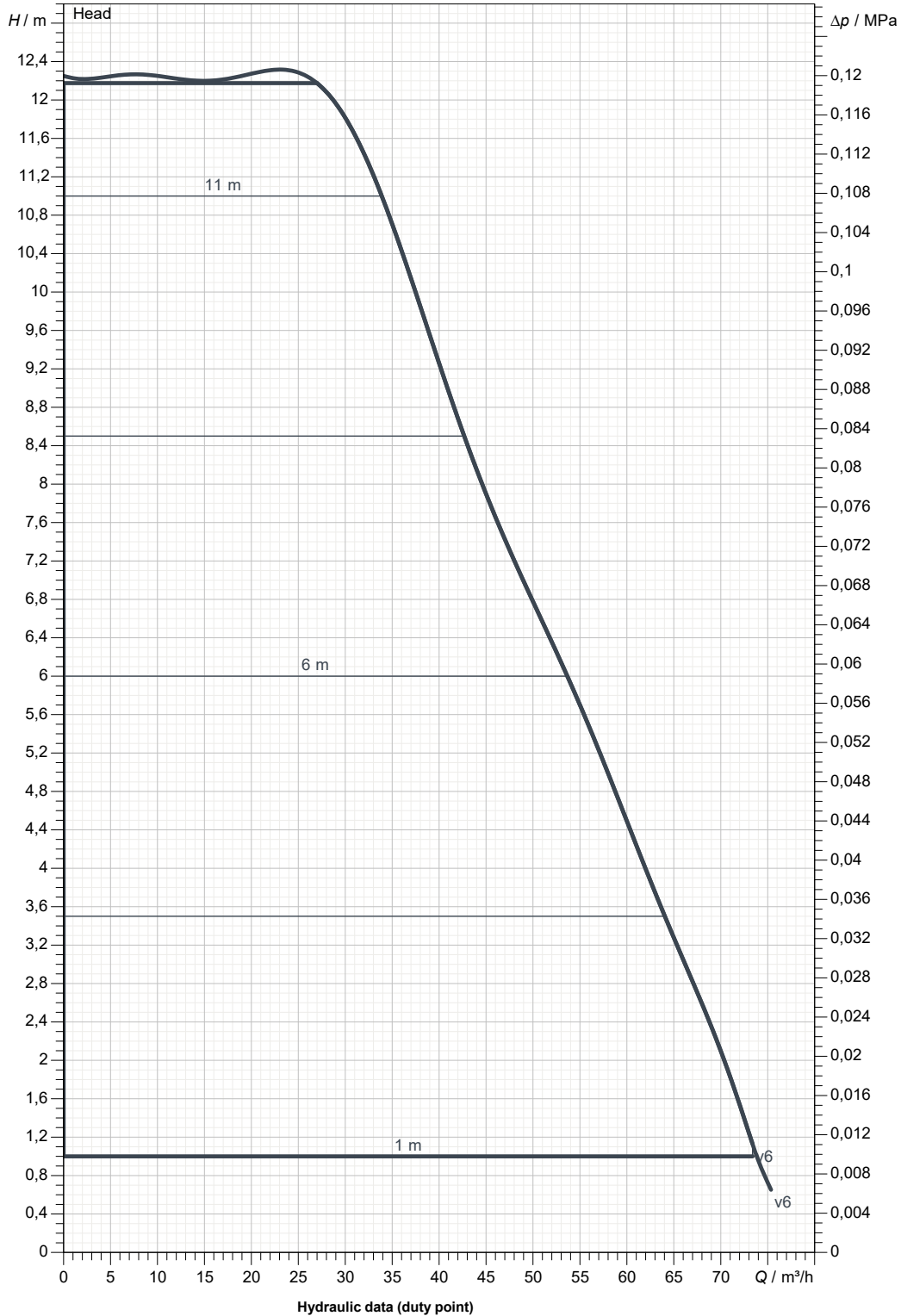
Receiver

From

Company
Reference
Address
Phone
Fax
E-mail

EVOPLUS B 120/450.100 M

Curve tolerance according to ISO 9906



Hydraulic data (duty point)

Suction side : DN 100 PN 6	Discharge side : DN 100 PN 6	Flow :	Head :	Rated speed : 2.900 1/min
MAIN_PROJECT_TITLE	BUSINESS_PROCESS_IT	OWNER_	ISSUE_DATE 2023-03-17	



DIMENSIONAL DRAWING

2023-03-17

Page 3 / 3

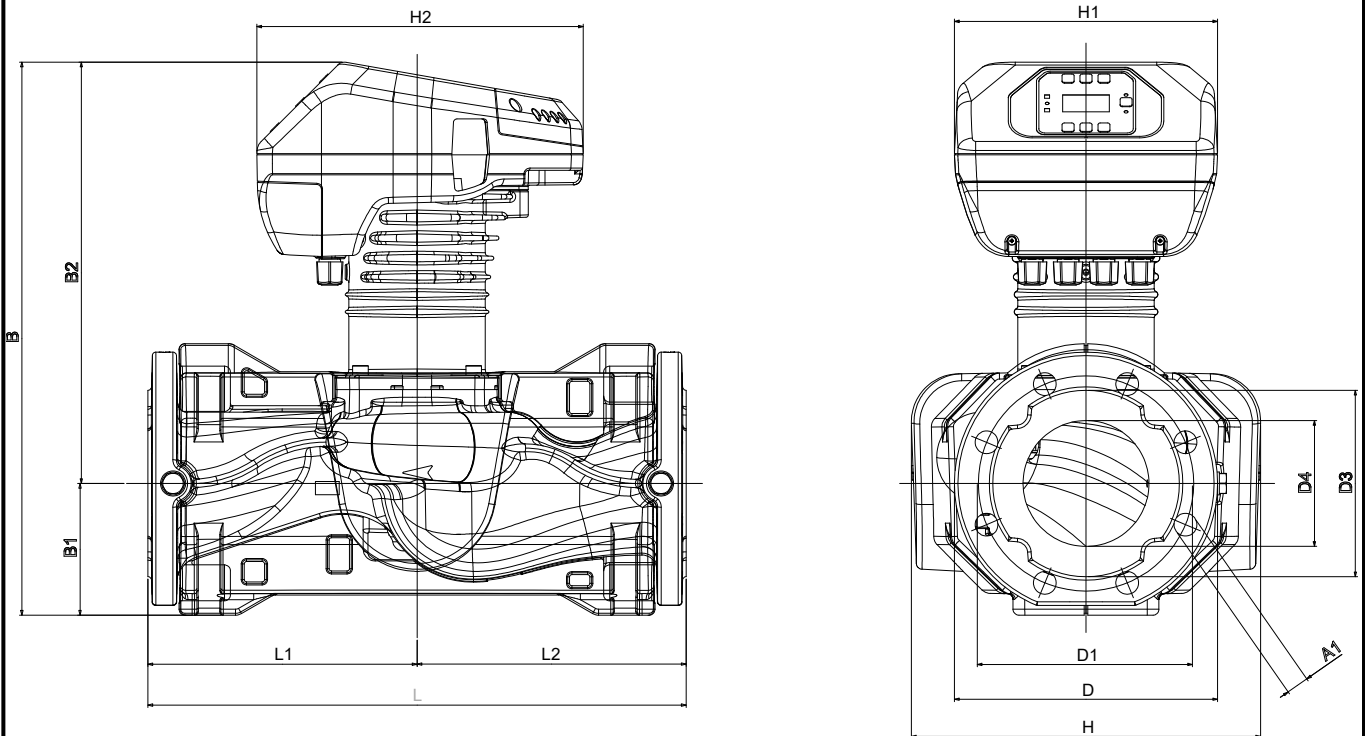
DAB PUMPS S.p.A.
Via Marco Polo, 14 - 35035 Mestrino (PD), Italy
Tel. +39 049 5125000 - Fax +39 049 5125950
www.dabpumps.com

Receiver

From

Company
Reference
Address
Phone
Fax
E-mail

EVOPLUS B 120/450.100 M



Dimensions in mm						Pump connection	
1	A1	19	L	450		Suction DN 100 PN 6 Discharge DN 100 PN 6	
2	B	463	L1	225			
3	B1	110	L2	225			
4	B2	353					
5	D	220					
6	D1	180					
7	D3	156					
8	D4	105					
9	H	292					
10	H1	220					
11	H2	273					

MAIN_PROJECT_TITLE	BUSINESS_PROCESS_ID	OWNER_	ISSUE_DATE 2023-03-17
--------------------	---------------------	--------	---------------------------------