

Receiver

From

Society
Reference
Address
Phone
Fax
E-mail

Item n° :

60150942

Model :

EVOPLUS 40/180 XM

Pump data

Pressure rating : 1,6 MPa
Min. fluid temperature : -10 °C
Max. fluid temperature : 110 °C
EEI : ≤ 0,22

Minimum suction head :

Temperature °C 90 100
Minimum suction head : m 20 25

Requested data

Flow :
Head :
Fluid (%) :
Fluid Temperature : 20 °C
Density : 998,3 kg/m³
Kinematic viscosity : 1,005 mm²/s
Vapor pressure :

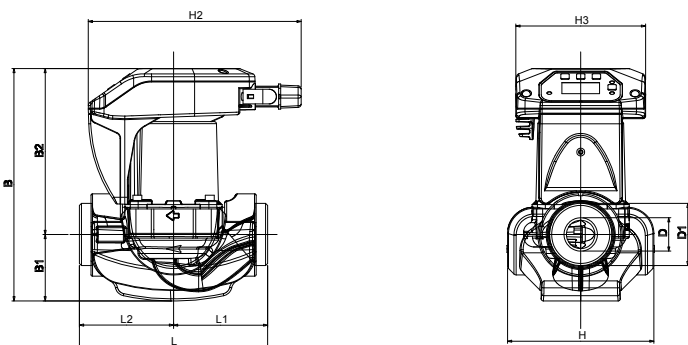
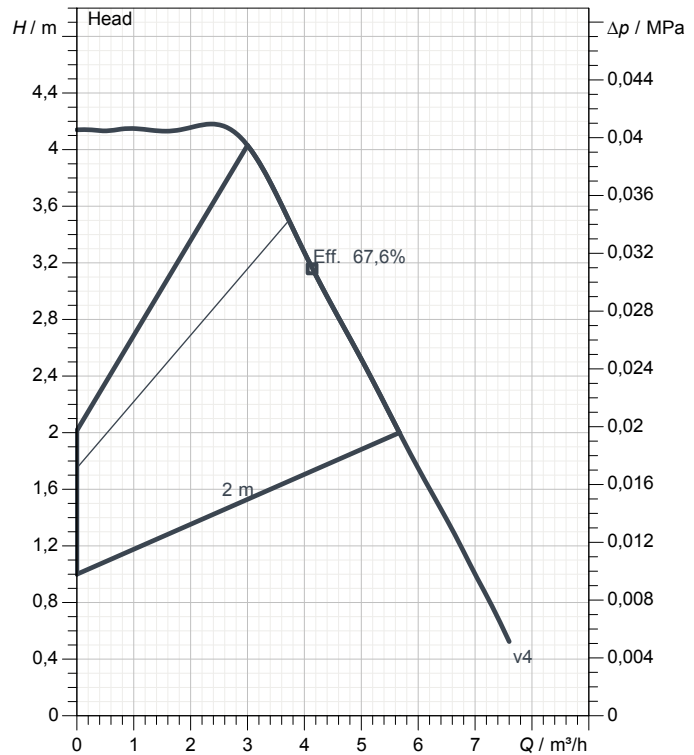
Hydraulic data (duty point)

Flow :
Head :

Materials

Pump body Cast iron 250 UNI ISO 185 - CTF
Impeller Technopolymer
Motor shaft Alumina
Seal ring EPDM
Motor casing Die cast aluminium
Closing flange Stainless steel
Thrust ring support EPDM

Curve tolerance according to ISO 9906



Motor data

Motor brand : DAB
Power input P1 : 0,07 kW
Rated voltage : 1~ 220-240 V 50 Hz
Nominal current : 0,51 A
Degree of protection : IP 44

Dimensions in mm

B	224	H1	124				
B1	65	H2	204				
B2	159	L	180				
D	32	L1	90				
D1	2" G	L2	90				
H	124						

Weight : 4,7 kg

Pump connection

Suction side : 2" G
Discharge side : 2" G

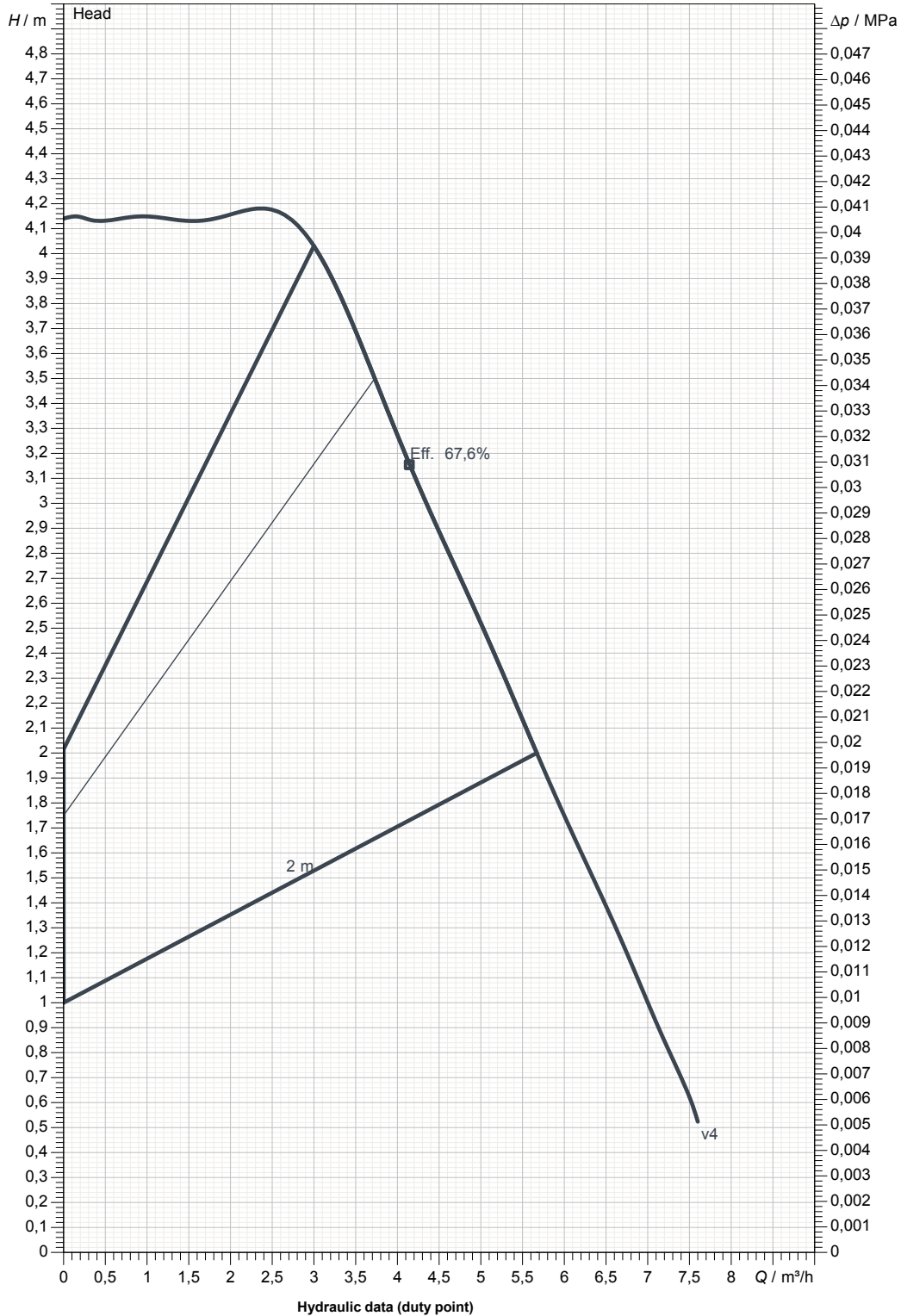
Receiver

From

Society
Reference
Address
Phone
Fax
E-mail

EVOPLUS 40/180 XM

Curve tolerance according to ISO 9906



Suction side :
2" G
16 bar (1600 kPa)

Discharge side :
2" G
16 bar (1600 kPa)

Flow :

Head :

Rated speed :
2900 1/min

MAIN_PROJECT_TITLE

BUSINESS_PROCESS_IC

OWNER_

ISSUE_DATE

