

Receiver
From

 Company
 Reference
 Address
 Phone
 Fax
 E-mail

Item n° :
Customer pos. no.:

60141884

Model :

AQUAJET-INOX 82 M-G

Pump data

 Pressure rating : 0,8 MPa
 Min. fluid temperature : 0 °C
 Max. fluid temperature : 35 °C
 Max. Ambient temperature : 40 °C

Priming capacity :

H	m	2	3	4	5	6	7	8	9
Q	m³/h	3,06	2,76	2,46	2,28	1,92	1,74	1,32	1,02

Requested data

 Flow :
 Head :
 Fluid : Water
 Fluid Temperature : 20 °C
 Density : 998,3 kg/m³
 Kinematic viscosity : 1,005 mm²/s
 Vapor pressure : 0,00 MPa

Hydraulic data (duty point)

 Flow :
 Head :

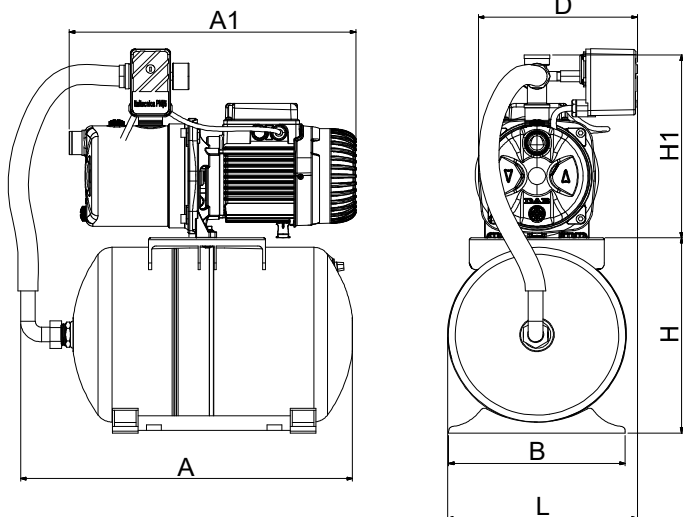
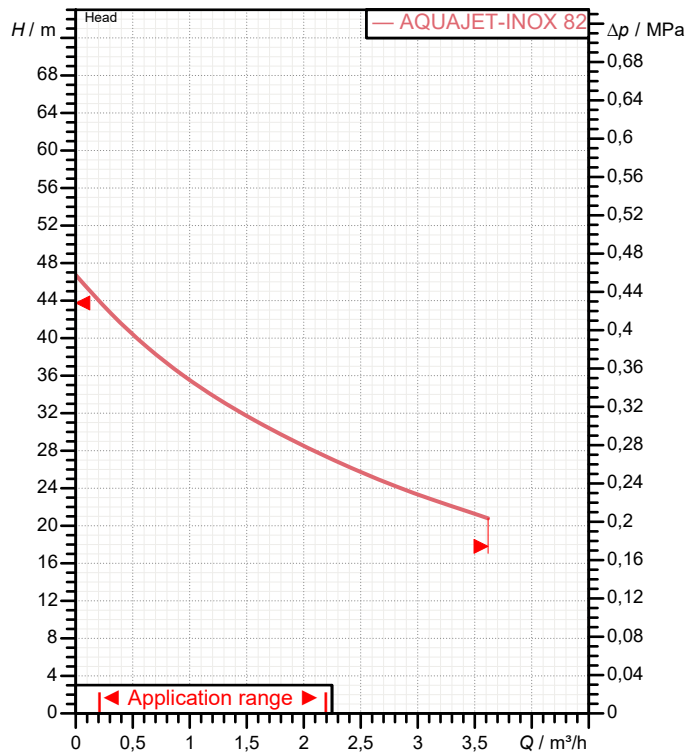
Materials

 Pump body : AISI 304 X5 Cr Ni 1810 UNI 6900/71
 Impeller : Technopolymer A
 Shaft with rotor : AISI 303 X10 CrNiS 1809 UNI 6900/71
 O-Ring : NBR Rubber
 Nozzle venturi diffuser assembly : Technopolymer A
 Mechanical seal : Carbon/Ceramic
 Disc seal : AISI 304 X5 Cr Ni 1810 UNI 6900/71

Motor data

 Motor brand : DAB
 Nominal power P2 : 0,6 kW
 Rated speed : 2.750 1/min
 Rated voltage : 1~ 220-240 V
 Nominal current : 3,8 A
 Degree of protection : IP 44

50 Hz

Curve tolerance according to ISO 9906

Dimensions in
mm

A	494	DNA	1" GAS	L	283		
A1	406	DNM	1" GAS				
B	263	H	296				
D	237	H1	277				

Weight : 16 kg

Pump connection

 Suction side : 1" G / 0,8 MPa
 Discharge side : 1" G / 0,8 MPa



PERFORMANCE CURVES

2023-03-17

Page 2 / 3

DAB PUMPS S.p.A.
Via Marco Polo, 14 - 35035 Mestrino (PD), Italy
Tel. +39 049 5125000 - Fax +39 049 5125950
www.dabpumps.com

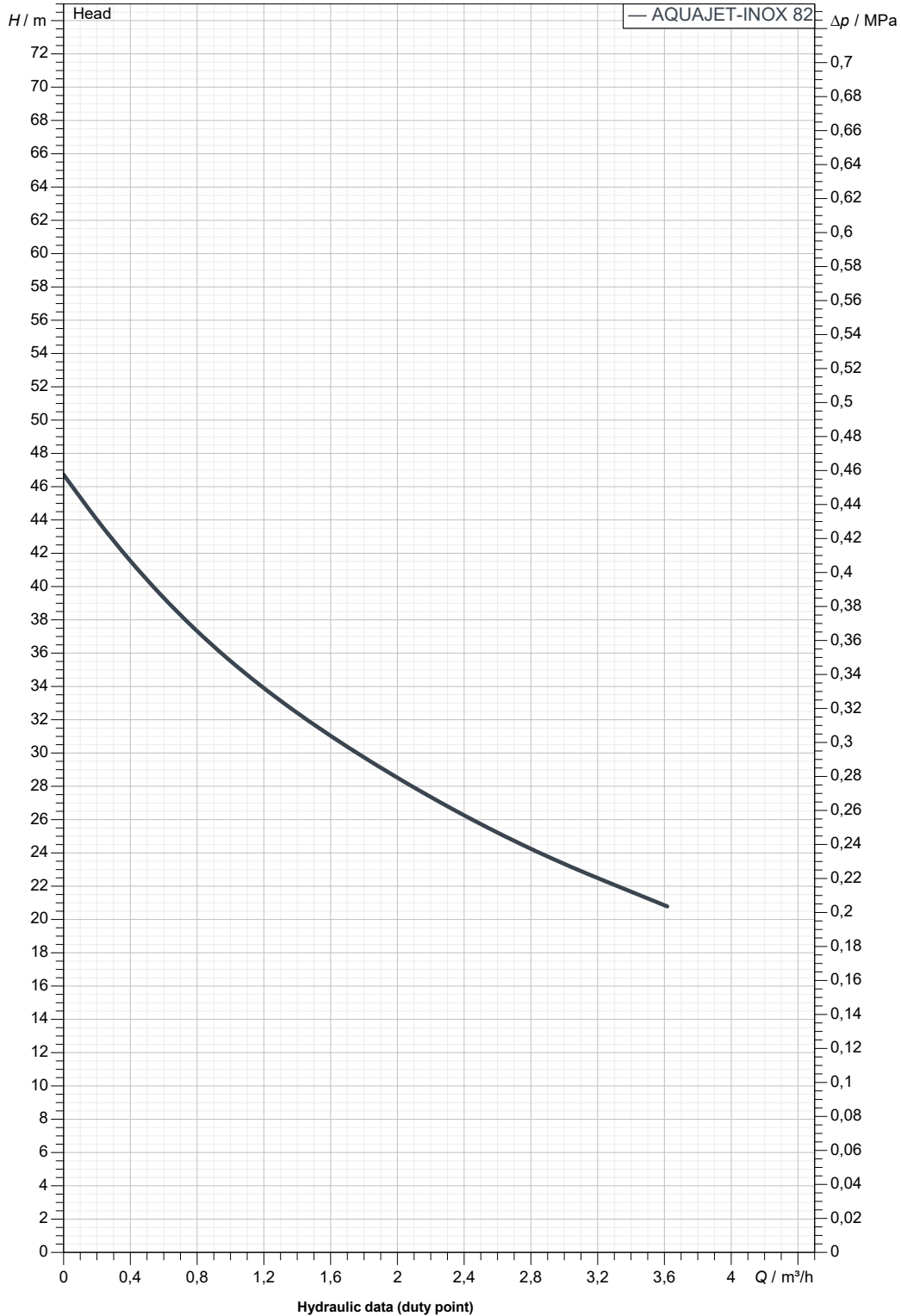
Receiver

From

Company
Reference
Address
Phone
Fax
E-mail

AQUAJET-INOX 82 M-G

Curve tolerance according to ISO 9906



Suction side :
1" G
0,8 MPa

Discharge side :
1" G
0,8 MPa

Flow :

Head :

Rated speed :
2.750 1/min

MAIN_PROJECT_TITLE

BUSINESS_PROCESS_ID

OWNER_

ISSUE_DATE
2023-03-17



DIMENSIONAL DRAWING

2023-03-17

Page 3 / 3

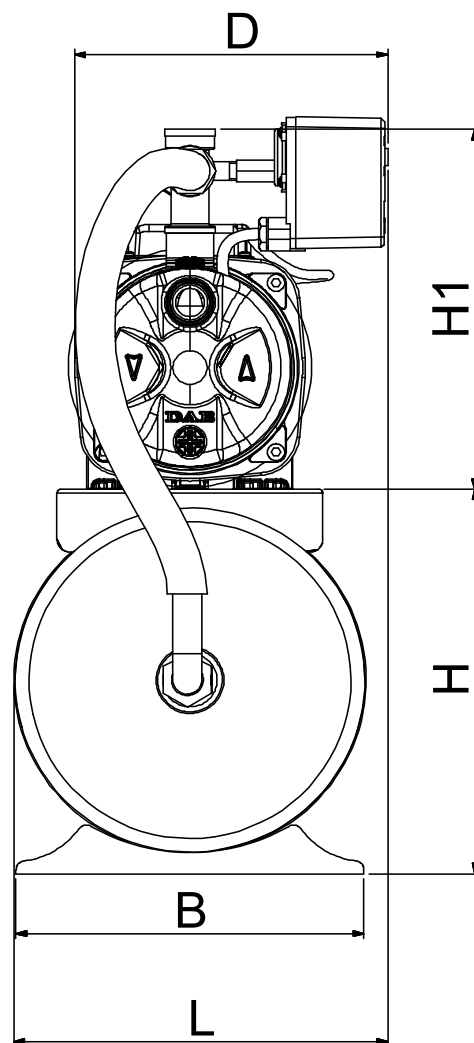
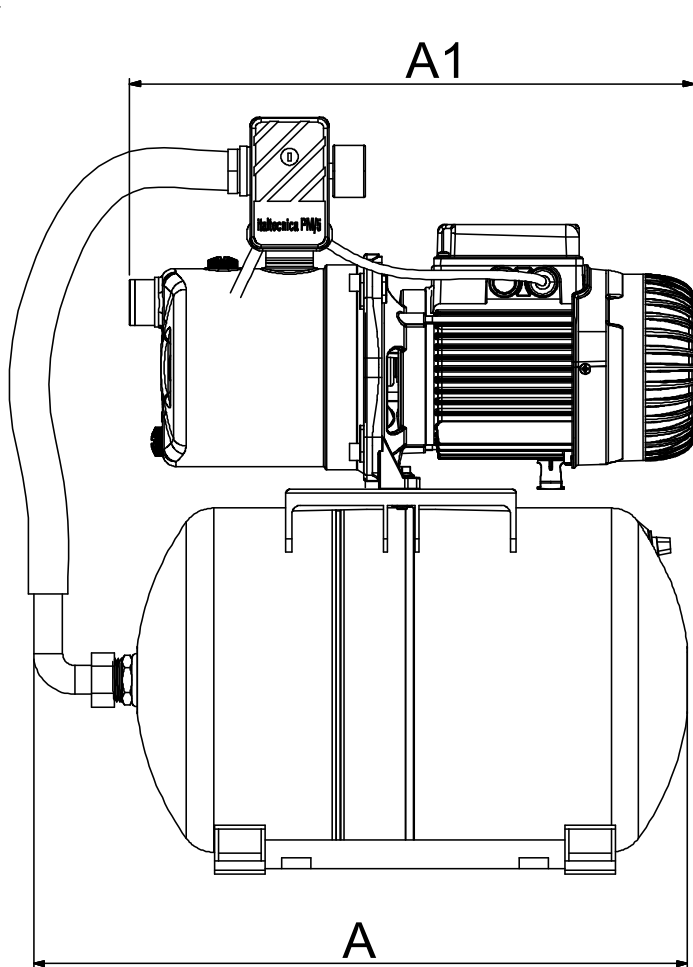
DAB PUMPS S.p.A.
Via Marco Polo, 14 - 35035 Mestrino (PD), Italy
Tel. +39 049 5125000 - Fax +39 049 5125950
www.dabpumps.com

Receiver

From

Company
Reference
Address
Phone
Fax
E-mail

AQUAJET-INOX 82 M-G



Dimensions in mm

1	A	494
2	A1	406
3	B	263
4	D	237
5	DNA	1" GAS
6	DNM	1" GAS
7	H	296
8	H1	277
9	L	283
10		
11		

Pump connection

Suction
1" G
0,8 MPa

Discharge
1" G
0,8 MPa

MAIN_PROJECT_TITLE

BUSINESS_PROCESS_ID

OWNER

ISSUE_DATE

2023-03-17