

Receiver

From

Company
Reference
Address
Phone
Fax
E-mail

Item n° : 60121345
Customer pos. no.:
Model : AQUAJET 82 M-G

Pump data

Pressure rating : 0,8 MPa
Min. fluid temperature : 0 °C
Max. fluid temperature : 35 °C
Max. Ambient temperature : 40 °C

Priming capacity :

H	m	2	3	4	5	6	7	8	9
Q	m³/h	3,06	2,76	2,46	2,28	1,92	1,74	1,32	1,02

Requested data

Flow :
Head :
Fluid : Water
Fluid Temperature : 20 °C
Density : 998,3 kg/m³
Kinematic viscosity : 1,005 mm²/s
Vapor pressure : 0,00 MPa

Hydraulic data (duty point)

Flow :
Head :

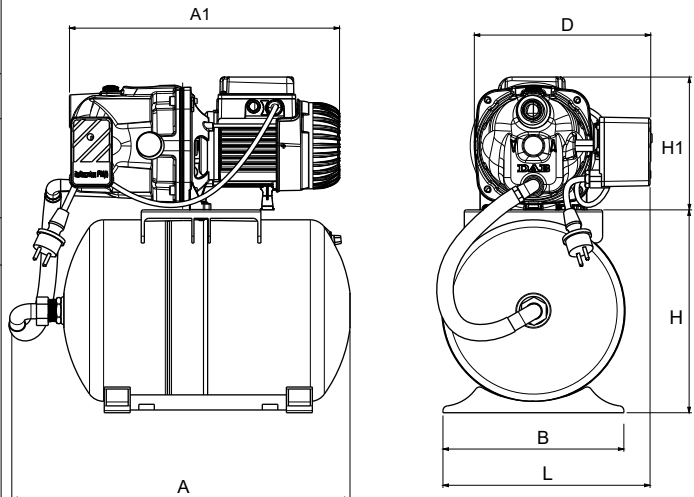
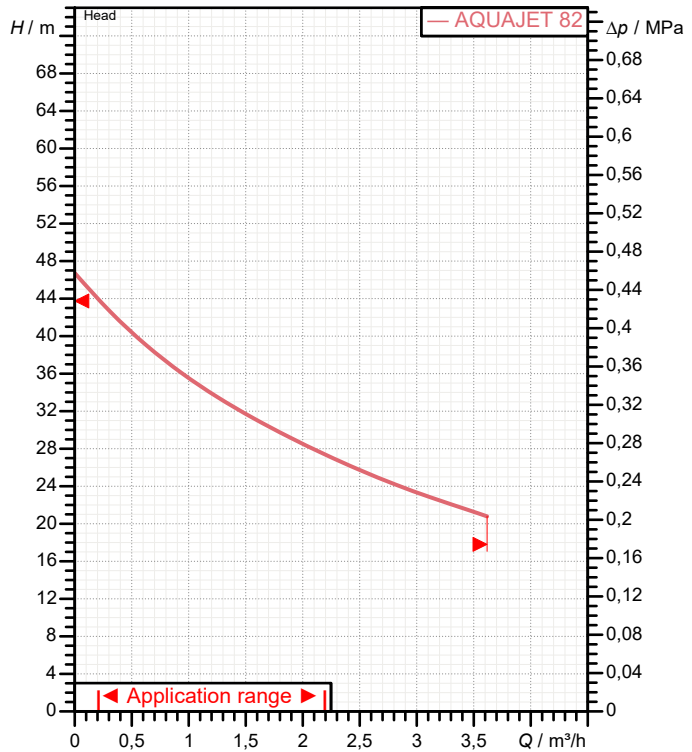
Materials

Pump body : Cast iron 200 UNI ISO 185
Support : Die cast aluminium
Impeller : Technopolymer A
Mechanical seal : Carbon/Ceramic
O-Ring : NBR Rubber
Shaft with rotor : AISI 416 X12 CrS 13 UNI 6900/71
Nozzle venturi diffuser assembly : Technopolymer A

Motor data

Motor brand : DAB
Nominal power P2 : 0,6 kW
Rated speed : 2.750 1/min
Rated voltage : 1~ 220-240 V 50 Hz
Nominal current : 3,8 A
Degree of protection : IP 44

Curve tolerance according to ISO 9906



Dimensions in		mm					
A	492	DNA	1"G	L	301		
A1	393	DNM	1"G				
B	263	H	296				
D	256	H1	194				

Weight : 17,8 kg

Pump connection

Suction side : 1 " G / 0,8 MPa
Discharge side : 1 " G / 0,8 MPa



PERFORMANCE CURVES

2023-03-17

Page 2 / 3

DAB PUMPS S.p.A.
Via Marco Polo, 14 - 35035 Mestrino (PD), Italy
Tel. +39 049 5125000 - Fax +39 049 5125950
www.dabpumps.com

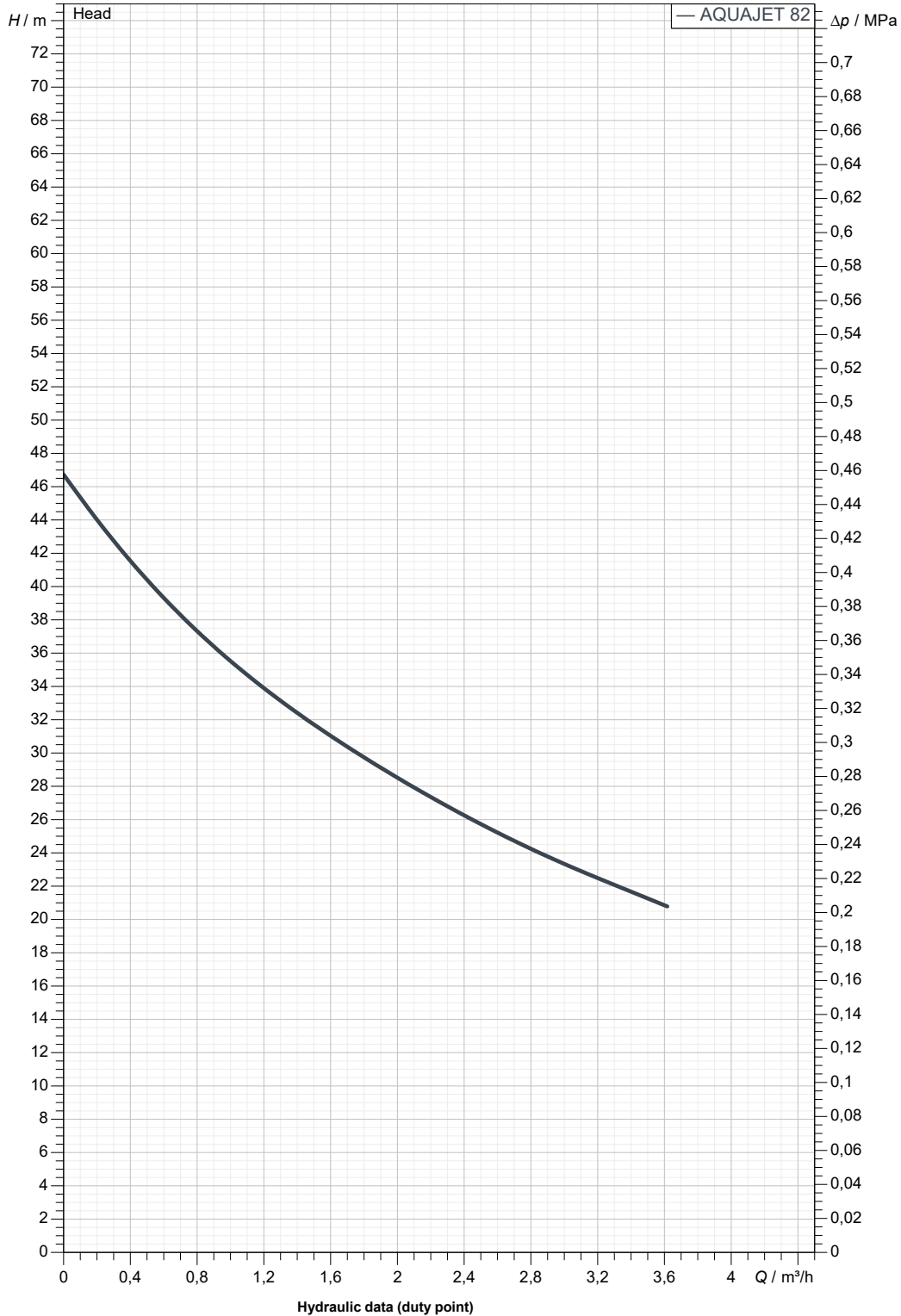
Receiver

From

Company
Reference
Address
Phone
Fax
E-mail

AQUAJET 82 M-G

Curve tolerance according to ISO 9906



Suction side :
1" G
0,8 MPa

Discharge side :
1" G
0,8 MPa

Flow :

Head :

Rated speed :
2.750 1/min

MAIN_PROJECT_TITLE

BUSINESS_PROCESS_ID

OWNER_

ISSUE_DATE
2023-03-17



DIMENSIONAL DRAWING

2023-03-17

Page 3 / 3

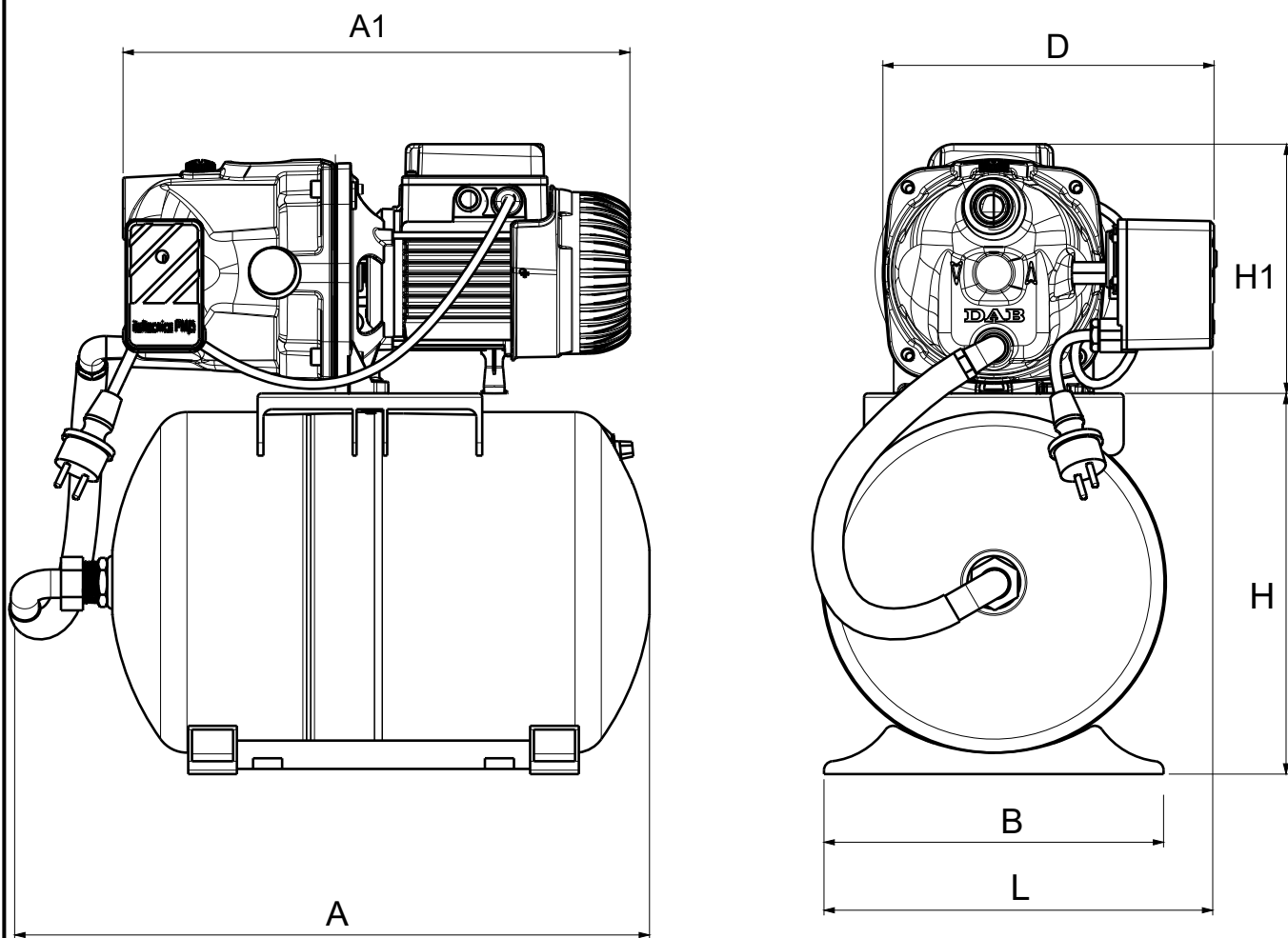
DAB PUMPS S.p.A.
Via Marco Polo, 14 - 35035 Mestrino (PD), Italy
Tel. +39 049 5125000 - Fax +39 049 5125950
www.dabpumps.com

Receiver

From

Company
Reference
Address
Phone
Fax
E-mail

AQUAJET 82 M-G



Dimensions in mm

Pump connection

1	A	492					
2	A1	393					
3	B	263					Suction
4	D	256					1" G
5	DNA	1"G					0,8 MPa
6	DNM	1"G					
7	H	296					Discharge
8	H1	194					1" G
9	L	301					0,8 MPa
10							
11							

MAIN_PROJECT_TITLE

BUSINESS_PROCESS_ID

OWNER

ISSUE_DATE

2023-03-17