



Data sheet

Hydraulic data

Maximum operating pressure P_N	10 bar
Delivery head for Q_{min} $H_{Q_{min}}$	1.0 m
Max. volume flow Q_{max}	0.4 m ³ /h
Min. fluid temperature T_{min}	2 °C
Max. fluid temperature T_{max}	95 °C
Min. ambient temperature T_{min}	2 °C
Max. ambient temperature T_{max}	40 °C
Max. permitted total water hardness	3.57 mmol/l (20°dH)

Motor data

Mains connection	1~230 V, 50 Hz
Rated power P_2	6 W
Rated current I_N	0.05 A
Max. speed n_{max}	3000 1/min
Power consumption $P_{1 min}$	5 W
Power consumption $P_{1 max}$	7 W
Interference emission	EN 61000-6-3
Interference immunity	EN 61000-6-2
Protection class motor	IP42
Insulation class	F
Threaded cable connection	1 x PG11
Motor protection	no

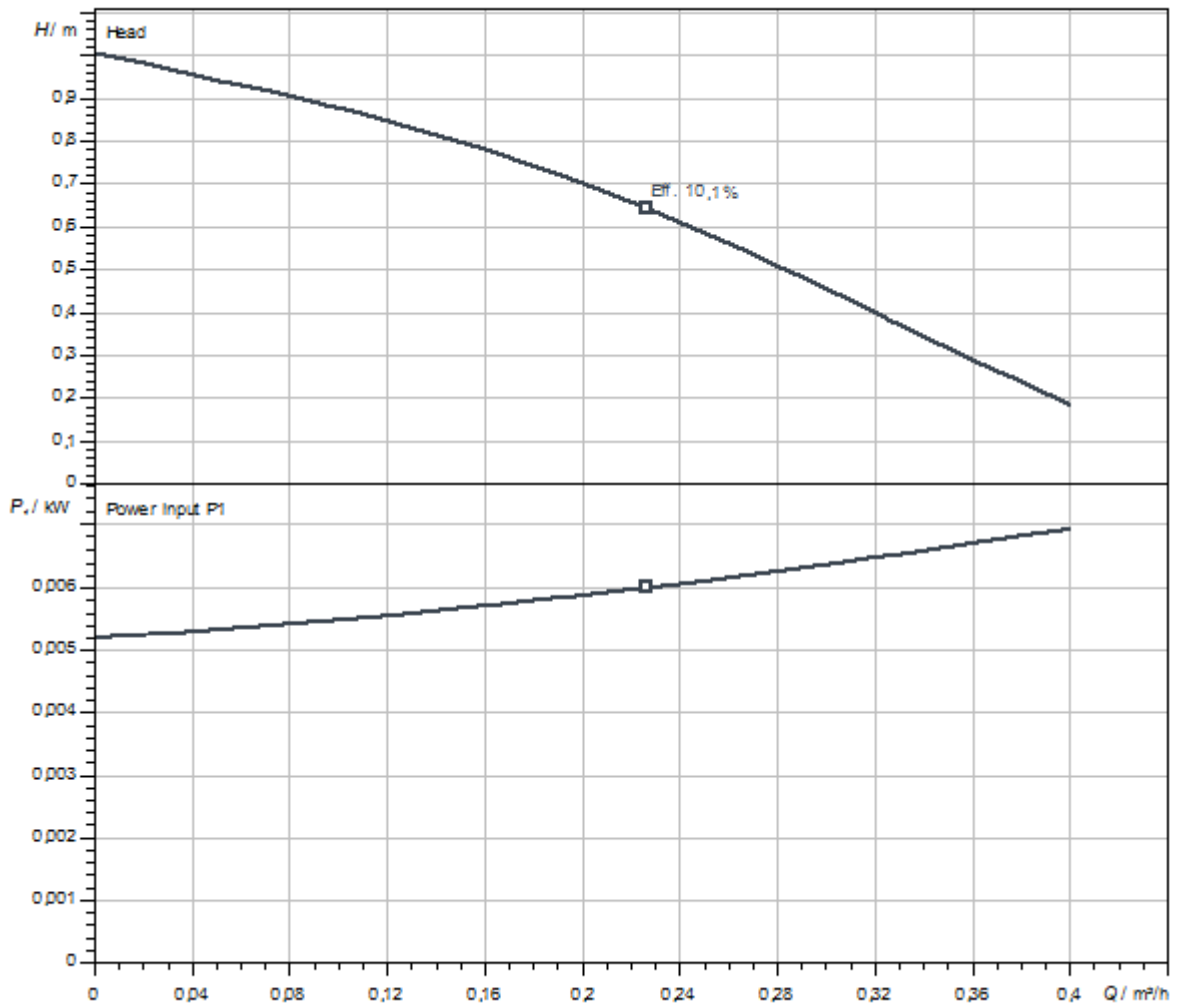
Materials

Pump housing	Brass
Impeller	PPE/PS-GF30
Shaft	Ceramic
Bearing	Carbon, synthetic resin-impregnated

Installation dimensions

Thread	G 1
Pipe connection on the suction side DN_s	G 1
Pipe connection on the discharge side DN_d	G 1
Port-to-port length L_0	138 mm

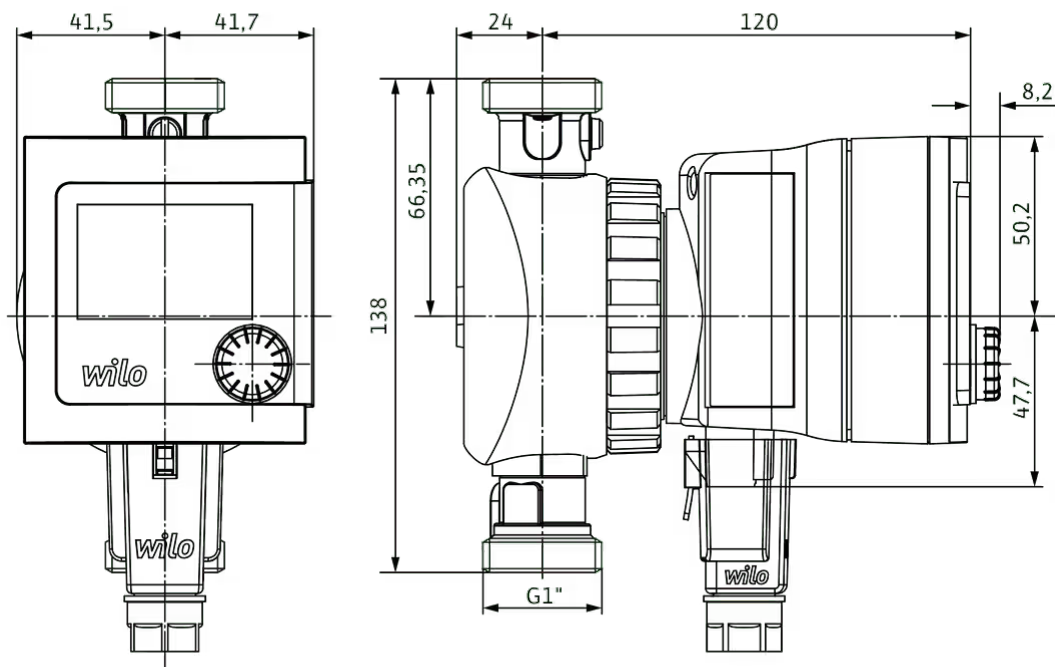
Pump curves



Fluid media	Water 100 %
Fluid temperature <i>T</i>	20,00 °C
speed at duty point <i>n hydr. @ OP</i>	2.900 1/min


Dimensions and dimensions drawings

Wilo-Star-Z NOVA



Ordering information

Product data

Brand	Wilo
Product description	Star-Z NOVA T
Article number	4222650 
EAN number	4048482853406
Colour	Green
Minimum order quantity	1
Date of sales availability	2018-09-01

Dimension, weight

Length with packaging	170 mm
Length <i>L</i>	152 mm
Height with packaging	103 mm
Height <i>H</i>	83 mm
Width with packaging	158 mm
Width <i>W</i>	138 mm
Gross weight, approx. <i>m</i>	1.6 kg
Net weight, approx. <i>m</i>	1.2 kg

Packaging

Number per layer	30
Packaging property	Sales packaging
Packaging type	Cardboard box
Pieces per pallet	270

Tender text

This circulator is suitable only for drinking water.

Domestic hot water-circulator Wilo-Star-Z NOVA T (glandless pump-version) for single-family houses.

Pump for pipe installation, blocking-current proof synchronous motor with high starting torque.

Brass pump housing, Noryl impeller, ceramic shaft.

Power consumption 6 W.

Equipped with thermal insulation shell as standard, housing thread Rp ½.

Pump complete with ball shut-off and non-return valves with G1 thread, built-in time switch, temperature control and a routine for detecting and supporting thermal legionellae switching on the boiler side.

Operating Data

Max. fluid temperature T_{max}	95 °C
Min. fluid temperature T_{min}	2 °C
Min. ambient temperature T_{min}	2 °C
Max. ambient temperature T_{max}	40 °C
Temperature range at max. ambient temperature +40 °C T	+2...+65
Maximum operating pressure P_N	10 bar
Max. permitted total water hardness	3.57 mmol/l (20°dH)

Motor data

Interference emission	EN 61000-6-3
Interference immunity	EN 61000-6-2
Mains connection	1~230 V, 50 Hz
Power consumption $P_{1 max}$	7 W
Max. speed n_{max}	3000 1/min
Rated current I_N	0.05 A
Protection class motor	IP42
Threaded cable connection	1 x PG11

Materials

Pump housing	Brass
Impeller	PPE/PS-GF30
Shaft	Ceramic
Bearing	Carbon, synthetic resin-impregnated

Installation dimensions

Pipe connection on the suction side DN_s	G 1
Pipe connection on the discharge side DN_d	G 1
Port-to-port length L_0	138 mm

Ordering information

Brand	Wilo
Product description	Star-Z NOVA T
Net weight, approx. m	1.2 kg
Article number	4222650 