



Similar to figure

Data sheet

Hydraulic data

Maximum operating pressure P_N	10 bar
Delivery head for Q_{min} $H_{Q_{min}}$	1.0 m
Max. volume flow Q_{max}	1.6 m ³ /h
Min. fluid temperature T_{min}	2 °C
Max. fluid temperature T_{max}	65 °C
Min. ambient temperature T_{min}	0 °C
Max. ambient temperature T_{max}	40 °C
Max. permitted total water hardness	3.21 mmol/l (18°dH)

Motor data

Mains connection	1~230 V, 50 Hz
Rated current I_N	0.14 A
Power consumption $P_{1 max}$	30 W
Interference emission	EN 61000-6-3
Interference immunity	EN 61000-6-2
Protection class motor	IP44
Insulation class	F
Threaded cable connection	1 x PG11
Motor protection	no

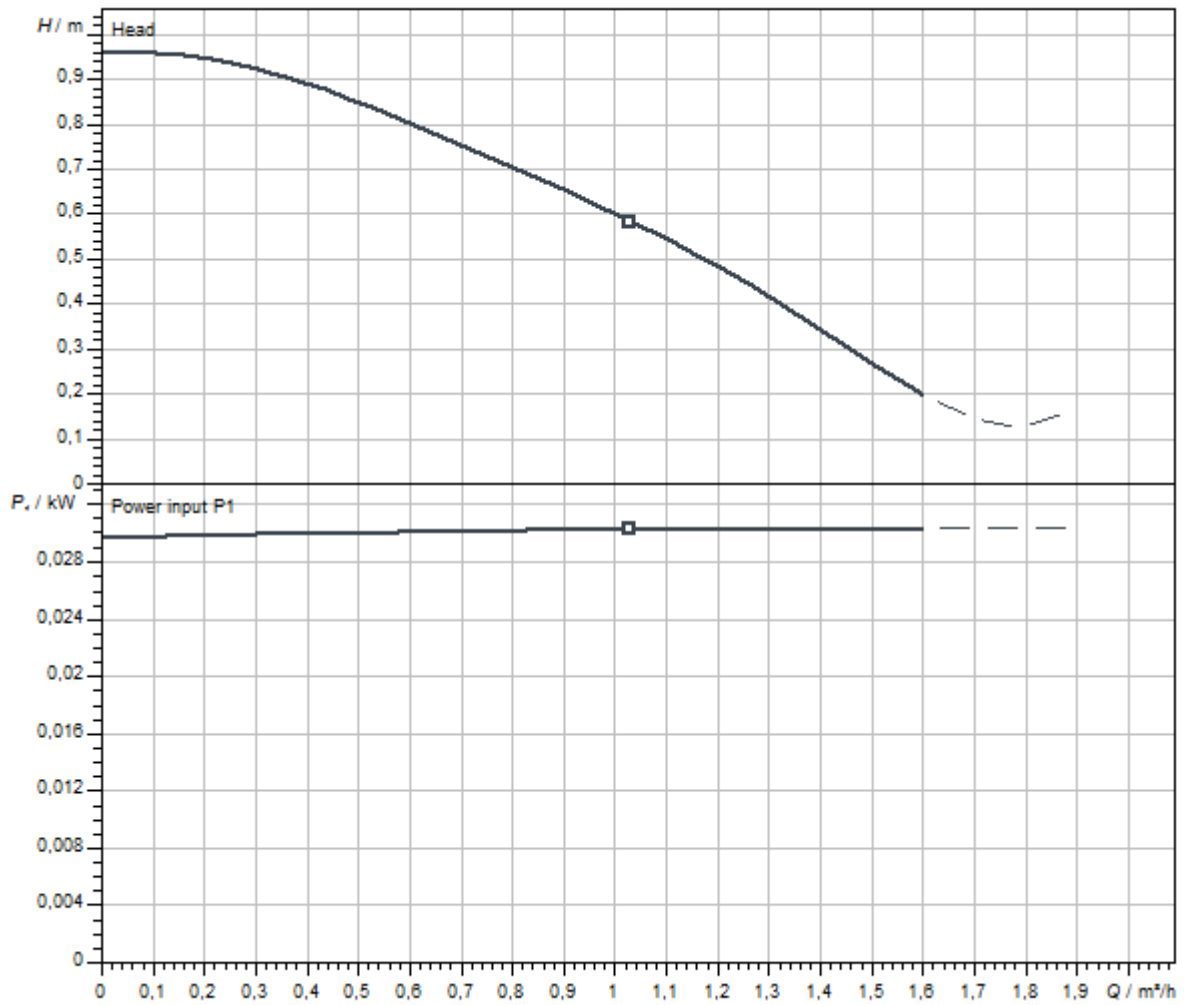
Materials

Pump housing	Bronze
Impeller	PPE-GF30
Shaft	Oxide ceramic
Bearing	Carbon, synthetic resin-impregnated

Installation dimensions

Pipe connection on the suction side DN_s	G 1
Pipe connection on the discharge side DN_d	G 1
Port-to-port length L_0	140 mm

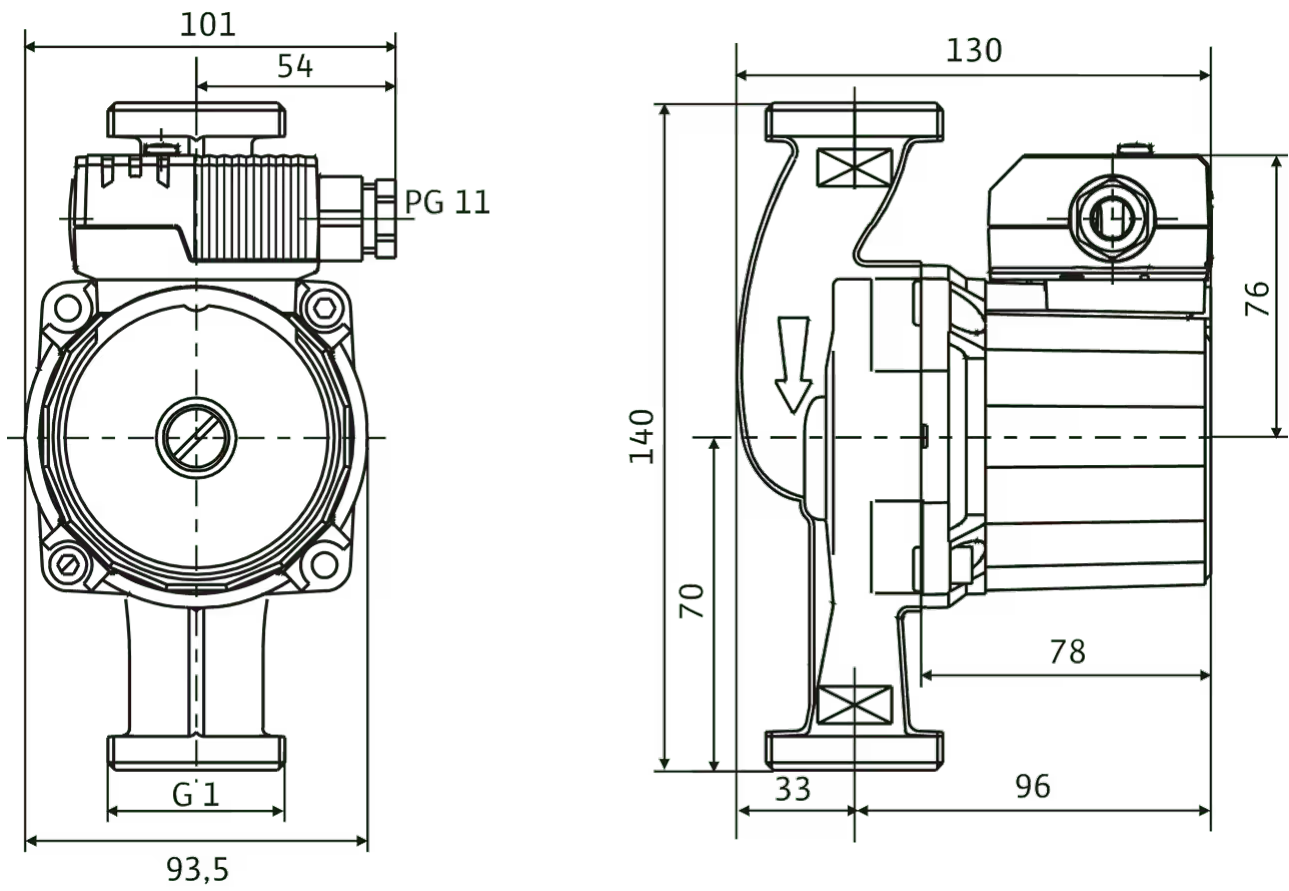
Pump curves



Fluid media	Water 100 %
Fluid temperature <i>T</i>	20,00 °C
speed at duty point <i>n hydr. @ OP</i>	2.900 1/min

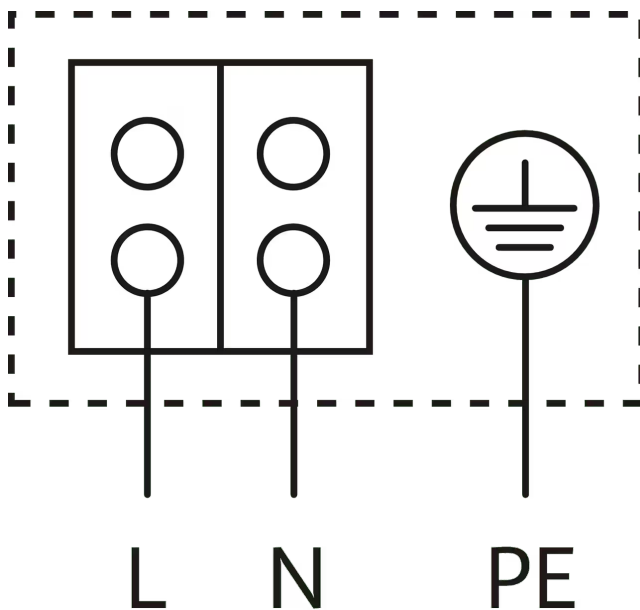
Dimensions and dimensions drawings

Star Z



Wiring diagram

Star-E




Blocking current-proof motor

Single-phase motor (EM) 2-pole - 1~230 V, 50 Hz

With built-in capacitor

Ordering information

Product data

Brand	Wilo
Product description	Star-Z 20/1
Article number	4028111 
EAN number	4016322364214
Colour	Green
Minimum order quantity	1
Date of sales availability	2010-01-01

Dimension, weight

Length with packaging	147 mm
Length <i>L</i>	134 mm
Height with packaging	100 mm
Height <i>H</i>	94 mm
Width with packaging	187 mm
Width <i>W</i>	149 mm
Gross weight, approx. <i>m</i>	2.3 kg
Net weight, approx. <i>m</i>	2.2 kg

Packaging

Number per layer	32
Packaging property	Sales packaging
Packaging type	Cardboard box
Pieces per pallet	256

Tender text

This circulator is suitable only for drinking water.

Domestic hot water circulator, constant-speed glandless pump for pipe installation. Blocking-current proof motor.

Pump housing made of bronze, impeller made of fibreglass-reinforced plastic, ceramic shaft with resin-impregnated carbon friction bearings.

Operating Data

Max. fluid temperature T_{\max}	65 °C
Min. fluid temperature T_{\min}	2 °C
Min. ambient temperature T_{\min}	0 °C
Max. ambient temperature T_{\max}	40 °C
Temperature range at max. ambient temperature +40 °C T	+2...+65
Maximum operating pressure PN	10 bar
Max. permitted total water hardness	3.21 mmol/l (18°dH)

Motor data

Interference emission	EN 61000-6-3
Interference immunity	EN 61000-6-2
Mains connection	1~230 V, 50 Hz
Power consumption $P_{1 \max}$	30 W
Rated current I_N	0.14 A
Protection class motor	IP44
Threaded cable connection	1 x PG11

Materials

Pump housing	Bronze
Impeller	PPE-GF30
Shaft	Oxide ceramic
Bearing	Carbon, synthetic resin-impregnated

Installation dimensions

Pipe connection on the suction side DN_s	G 1
Pipe connection on the discharge side DN_d	G 1
Port-to-port length L_0	140 mm

Ordering information

Brand	Wilo
Product description	Star-Z 20/1
Net weight, approx. m	2.2 kg
Article number	4028111 

Services

With Wilo as your partner, you can not only be sure of choosing high-quality product solutions, but also of benefiting from a comprehensive, worry-free package of well thought-out services. We collaborate to develop a service concept tailored to your individual needs; with our expertise and personal consultancy, we make sure that the operation of your systems is as energy-efficient, reliable and economical as possible. All the while our competent Wilo service technicians are ready to assist you with fast, reliable and on-time support.

Recommended services

Wilo-Live Assistant Service	2216415
System Optimisation Glandless pumps	2219250
Energy Solutions Glandless pumps	2219285

More suitable services

Extended warranty glandless pumps	2219589
Supervision Glandless pumps	2219320
Installation Glandless pumps	2219355
Commissioning Glandless pumps	2219390
Maintenance BASIC Glandless pumps	2219530
Maintenance COMFORT Glandless pumps	2219416
Maintenance PREMIUM Glandless pumps	2219545
Repair Glandless pumps	2219609