
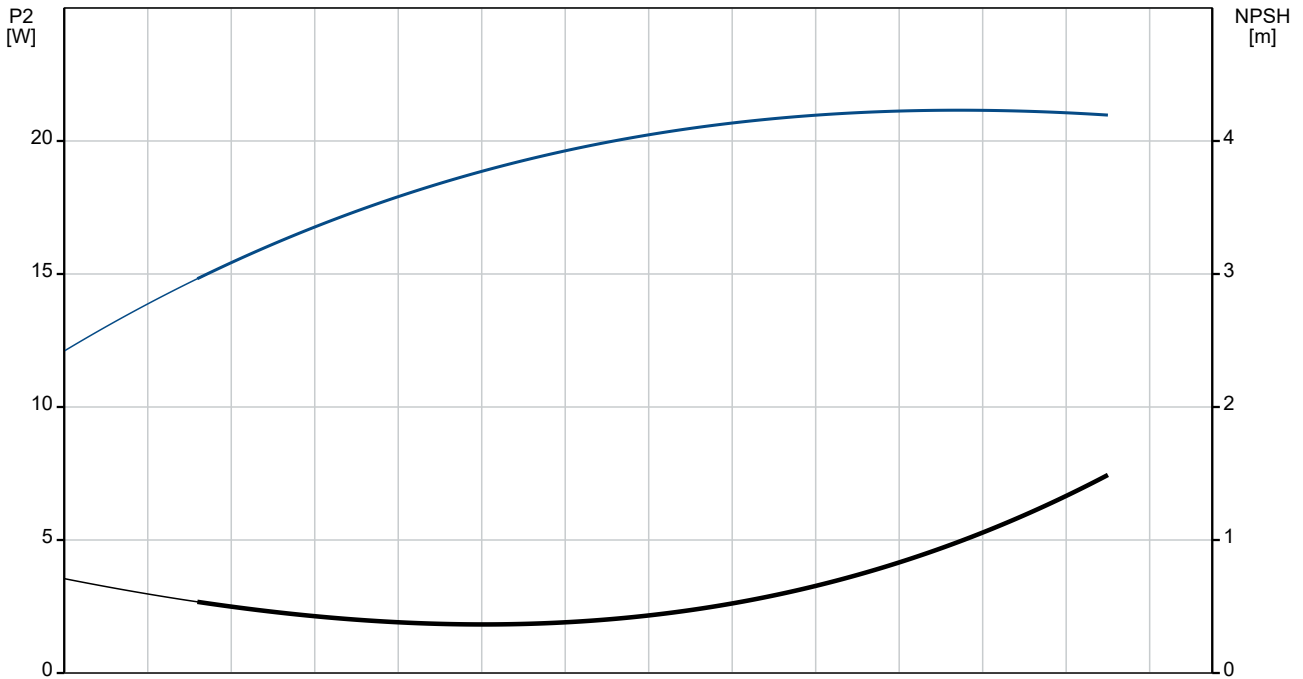
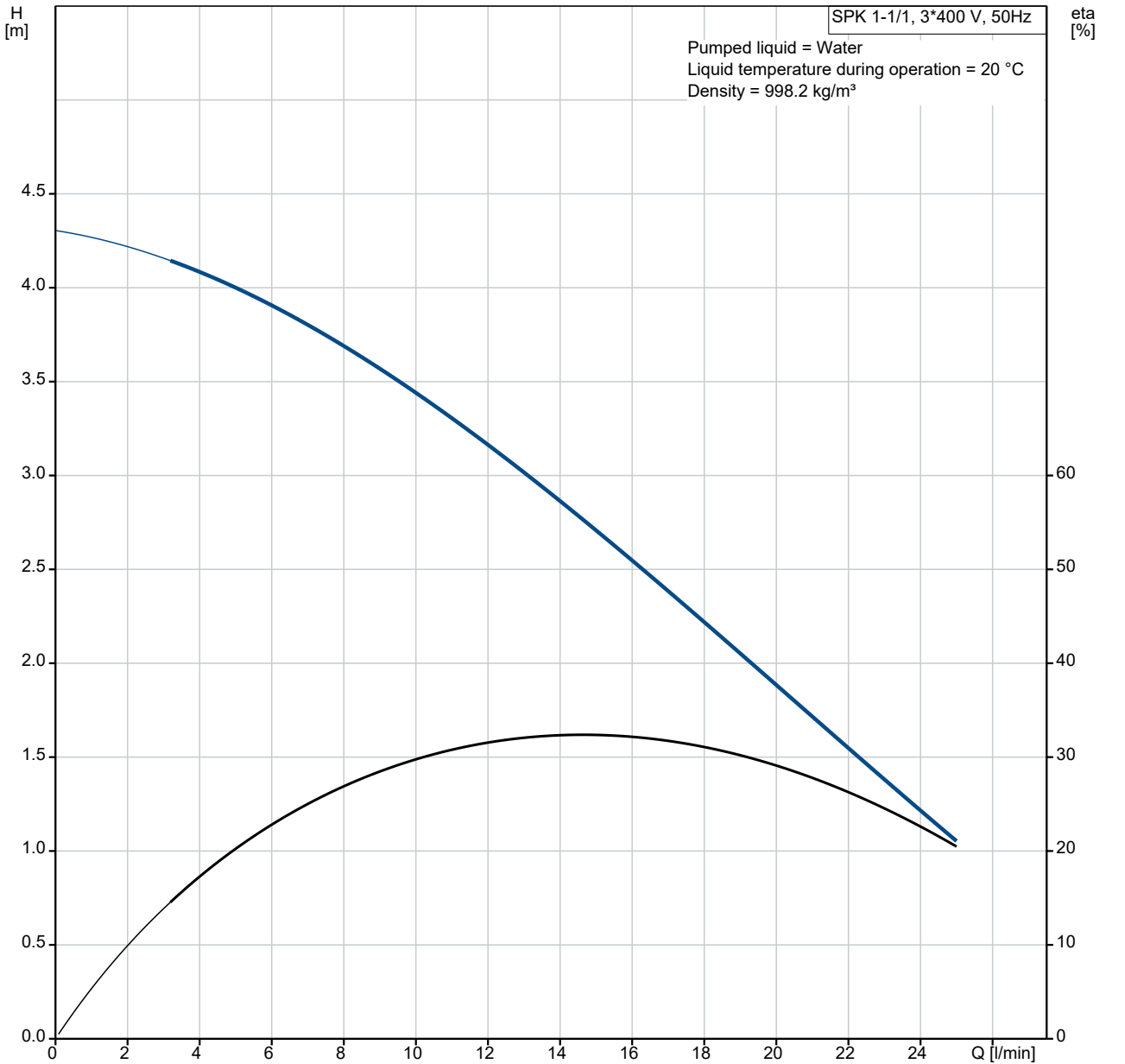


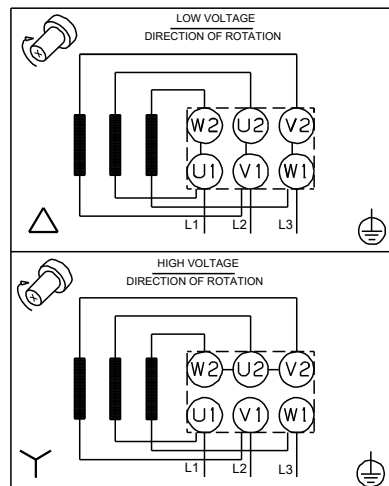
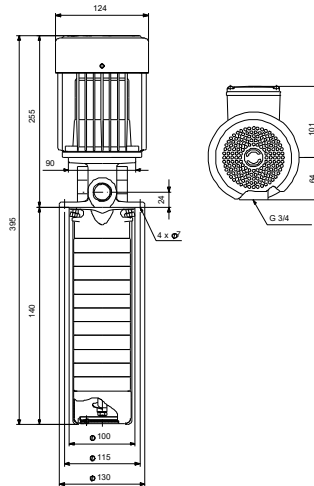
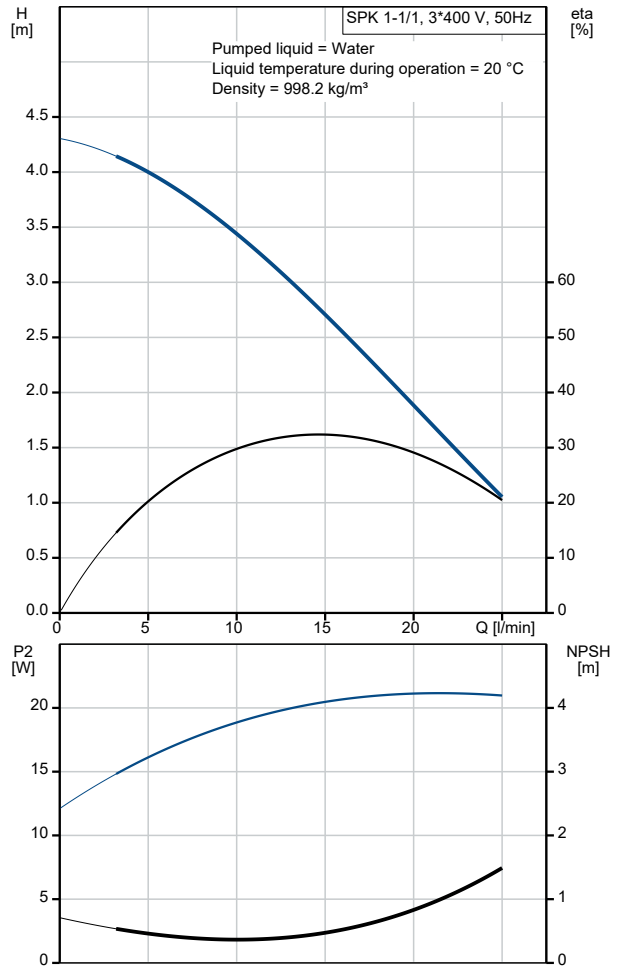
Qty.	Description
1	SPK 1-1/1 A-W-A-AUUV
	
	<p>Note! Product picture may differ from actual product</p>
	<p>Product No.: On request Multistage, immersible, self-priming, centrifugal pump for vertical and horizontal installation in tanks etc.</p>
	<p>The pump has the following characteristics:</p> <ul style="list-style-type: none"> - Installation length according to DIN 5440. - Impellers, intermediate chambers and spline shaft are made of stainless steel and motor stool of GG 20. - Mechanical shaft seal according to EN 12756. - Power transmission via cast iron split coupling.
	<p>The motor is a 3-phase AC motor. Immersion depth: 140 mm</p>
	<p>Liquid: Pumped liquid: Water Liquid temperature range: -10 .. 90 °C Selected liquid temperature: 20 °C Density: 998.2 kg/m³</p>
	<p>Technical: Pump speed on which pump data are based: 2800 rpm Rated flow: 16.7 l/min Rated head: 3.7 m Primary shaft seal: AUUV Curve tolerance: ISO9906:2012 3B Drain holes: Open drain hole</p>
	<p>Materials: Pump head: Cast iron EN-GJL-200 ASTM 25B Impeller: Stainless steel DIN W.-Nr. 1.4301 AISI 304</p>
	<p>Installation: t max amb: 40 °C Pipe connection: G 3/4 Flange size for motor: FT75</p>
	<p>Electrical data: Motor type: SIEMENS Rated power - P2: 0.06 kW Power (P2) required by pump: 0.06 kW Mains frequency: 50 Hz Rated voltage: 3 x 220-240D/380-415Y V Rated current: 0.31/0.18 A Cos phi - power factor: 0.79-0.72 Rated speed: 2800-2850 rpm Number of poles: 2 Enclosure class (IEC 34-5): IP55</p>

Qty.	Description
1	Insulation class (IEC 85): F Motor No: 81602310 Others: Minimum efficiency index, MEI ≥: N/A Net weight: 9.3 kg Gross weight: 10.6 kg Country of origin: HU Custom tariff no.: 84137075

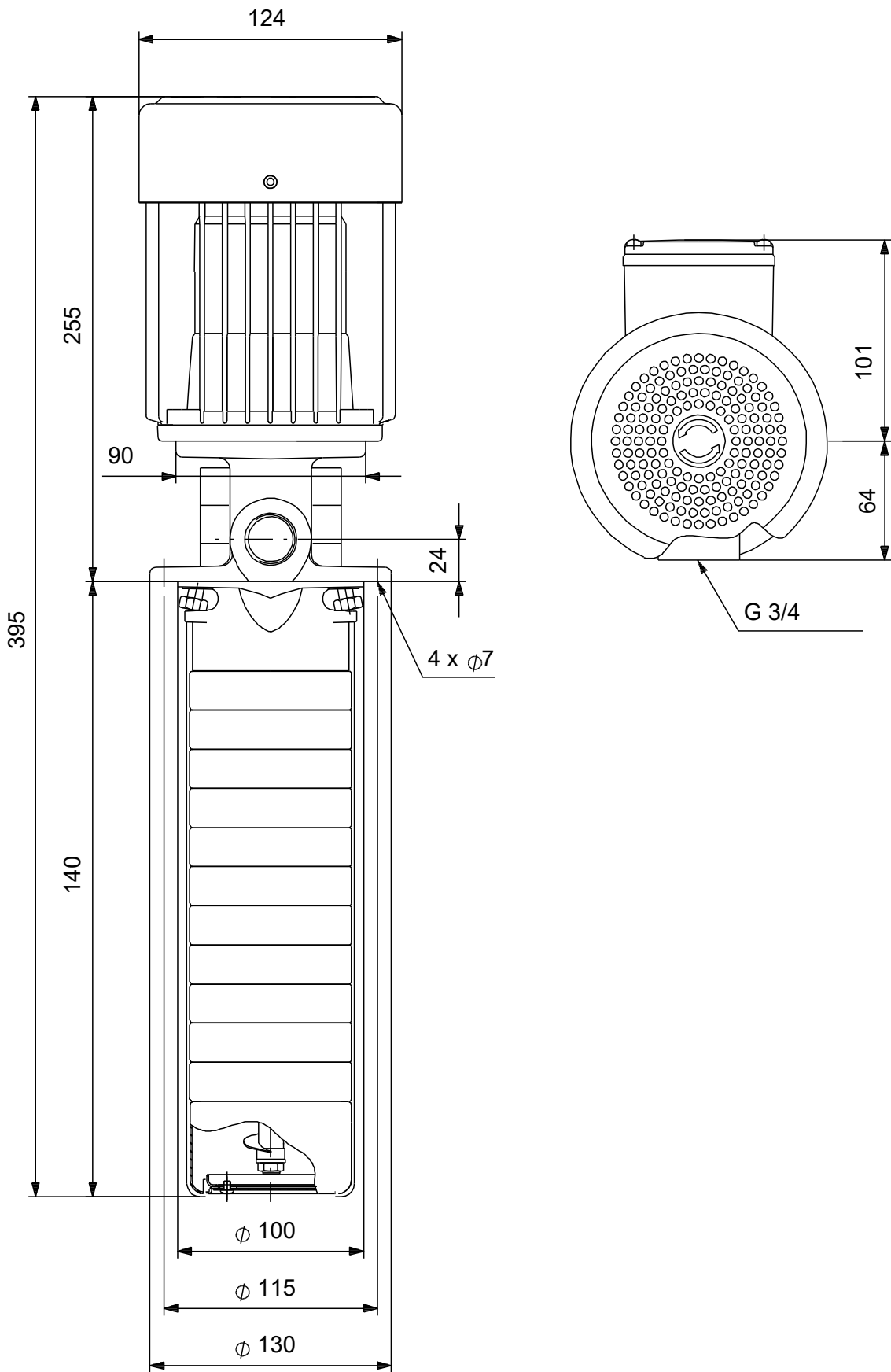
On request SPK 1-1/1 A-W-A-AUUV 50 Hz



Description	Value
General information:	
Product name:	SPK 1-1/1 A-W-A-AUUV
Product No:	On request
EAN number:	On request
Technical:	
Pump speed on which pump data are based:	2800 rpm
Rated flow:	16.7 l/min
Rated head:	3.7 m
Stages:	1
Impellers:	1
Primary shaft seal:	AUUV
Curve tolerance:	ISO9906:2012 3B
Pump version:	A
Model:	E
Drain holes:	Open drain hole
Materials:	
Pump head:	Cast iron
Pump head:	EN-GJL-200
Pump head:	ASTM 25B
Impeller:	Stainless steel
Impeller:	DIN W.-Nr. 1.4301
Impeller:	AISI 304
Material code:	A
Installation:	
t max amb:	40 °C
Pipe connection:	G 3/4
Flange size for motor:	FT75
Connect code:	W
Liquid:	
Pumped liquid:	Water
Liquid temperature range:	-10 .. 90 °C
Selected liquid temperature:	20 °C
Density:	998.2 kg/m ³
Electrical data:	
Motor type:	SIEMENS
Rated power - P2:	0.06 kW
Power (P2) required by pump:	0.06 kW
Mains frequency:	50 Hz
Rated voltage:	3 x 220-240D/380-415Y V
Rated current:	0.31/0.18 A
Cos phi - power factor:	0.79-0.72
Rated speed:	2800-2850 rpm
Number of poles:	2
Enclosure class (IEC 34-5):	IP55
Insulation class (IEC 85):	F
Built-in motor protection:	NONE
Motor No:	81602310
Others:	
Minimum efficiency index, MEI ≥:	N/A
Net weight:	9.3 kg
Gross weight:	10.6 kg
Country of origin:	HU
Custom tariff no.:	84137075

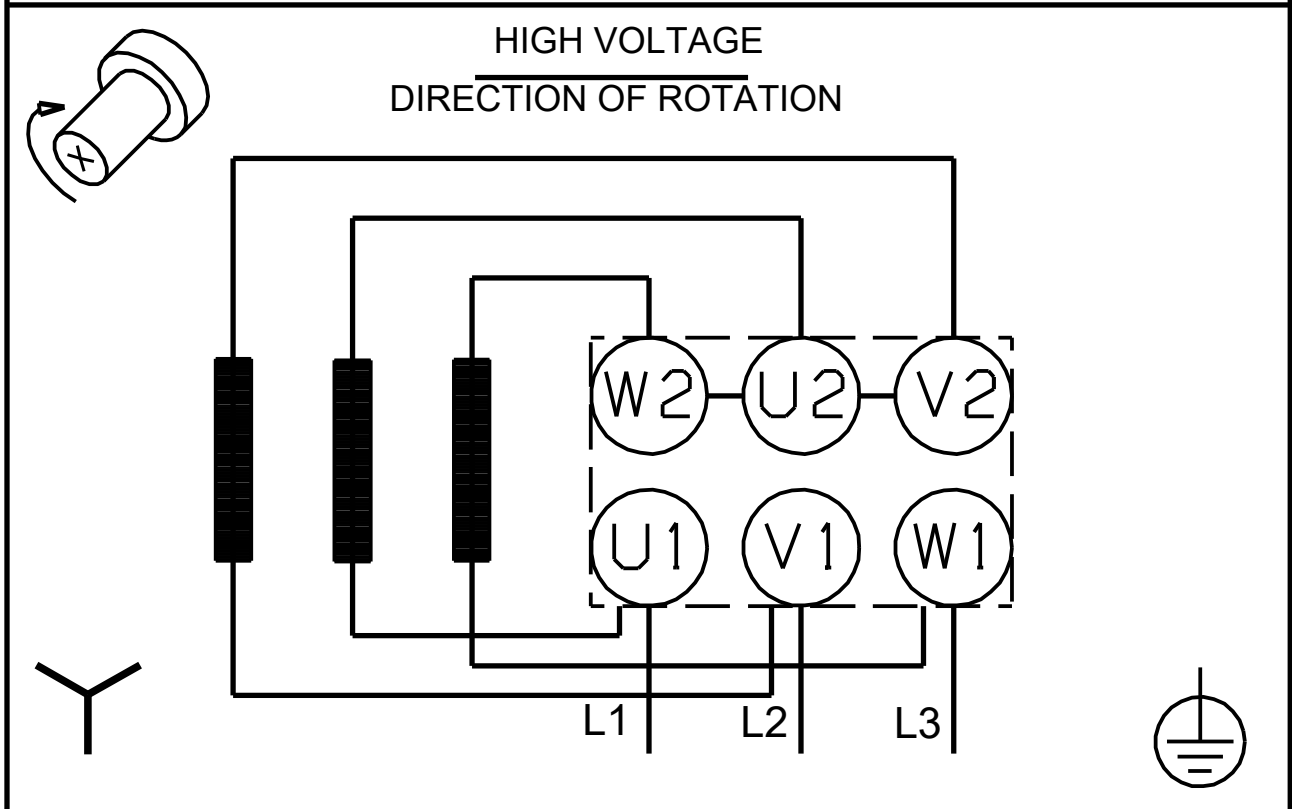
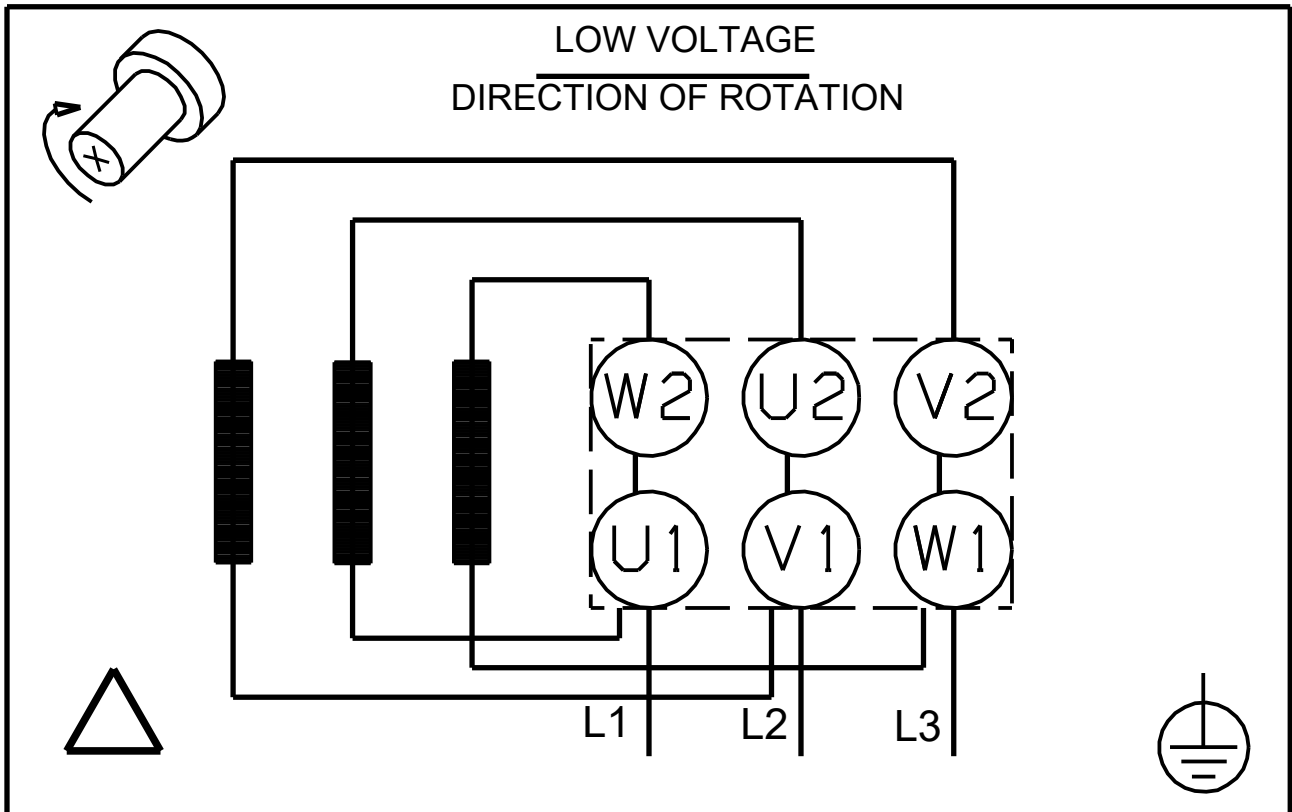


On request SPK 1-1/1 A-W-A-AUUV 50 Hz



Note! All units are in [mm] unless others are stated.
Disclaimer: This simplified dimensional drawing does not show all details.

On request SPK 1-1/1 A-W-A-AUUV 50 Hz



Note! All units are in [mm] unless others are stated.

Order Data:

Position	Your pos.	Product name	Amount	Product No	Total
		SPK 1-1/1	1	On request	Price on request