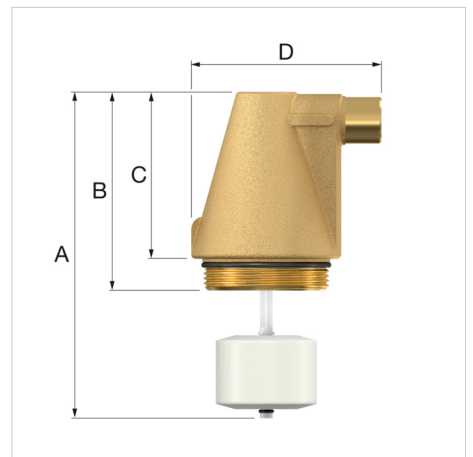


Cone-shaped air chamber equipped with a long float to create more distance to the vent valve.  
This reduces the risk of contamination of the valve seat to a minimum.

**Advantages**

- Maximum working temperature: 120 °C.
- Maximum system working pressure: 25 bar.
- Maximum working pressure: 10 bar.



Description	Automatic air vent -large	
Order Code	28555	
GTIN	08712874285552	
Model	<u>Spare vent cap L</u>	
Used for	Flamcovent (Smart) DN 50 - 600, Flamcovent Clean (Smart) DN 50 - 600, FlexBalance (Plus)	
Dimensions	A [mm]	155
	B [mm]	94
	C [mm]	79
	D [mm]	90



**Find more information online:**

[Installation and operating instruction](#)

[Spare vent cap ADSK](#)

[Spare vent cap RFA](#)

[Spare vent cap DWG](#)

[Spare vent cap IPT](#)

[Spare vent cap STEP](#)

[Export catalogue](#)

[Packaging data](#)

[Installation and operating instruction](#)

[Spare vent cap ADSK](#)

[Spare vent cap RFA](#)

[Spare vent cap DWG](#)

[Spare vent cap IPT](#)

[Spare vent cap STEP](#)

[Export catalogue](#)

[Packaging data](#)

Washway Lane

UK-WA10 6PB, St Helens, Merseyside - gb

T +44 17 447 447 44

E [uk.info@aalberts-hfc.com](mailto:uk.info@aalberts-hfc.com)

I [flamcogroup.com/uk-en](http://flamcogroup.com/uk-en)