

**Receiver**

**From**

Company  
Reference  
Address  
Phone  
Fax  
E-mail

**Item n° :** 105210434  
**Customer pos. no.:**  
Model : DKLP 40-1200 M

**Pump data**

MEI ≥ 0,5

Pressure rating : 1 MPa  
Min. fluid temperature : -15 °C  
Max. fluid temperature : 120 °C  
Max. Ambient temperature : 40 °C

**Requested data**

Flow :  
Head :  
Fluid (%) :  
Fluid Temperature : 20 °C  
Density : 998,3 kg/m³  
Kinematic viscosity : 1,005 mm²/s  
Vapor pressure : 0,00 MPa

**Hydraulic data (duty point)**

Flow :  
Head :  
NPSH :  
Shaft power P2 :  
Efficiency :

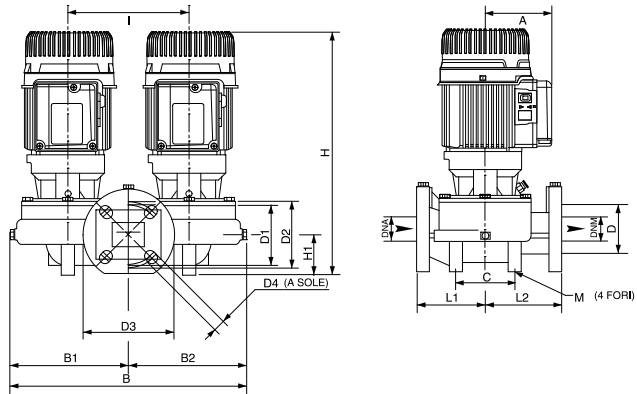
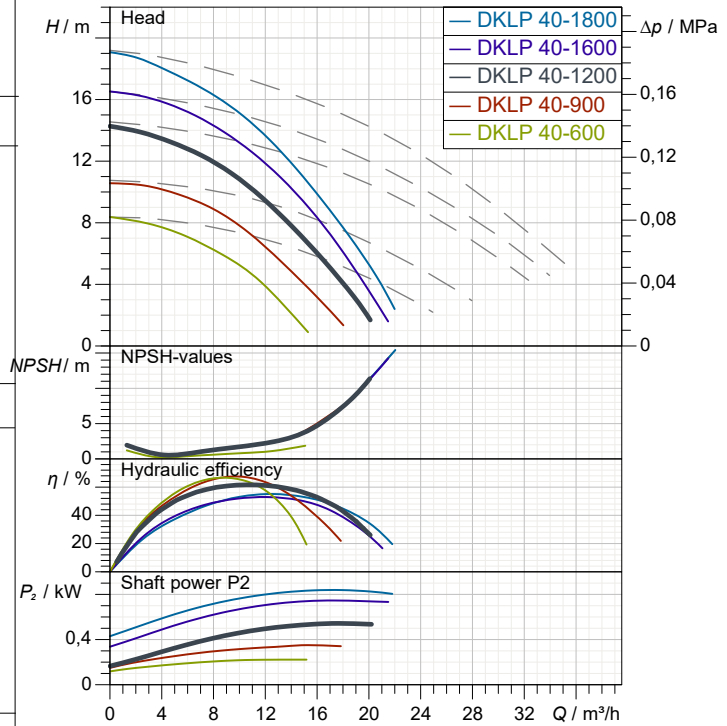
**Materials**

Pump body : Cast iron 250 UNI ISO 185  
Support : Cast iron 250 UNI ISO 185  
Impeller : Technopolymer B  
Mechanical seal : Carbon/Ceramic  
O-Ring : EPDM Rubber  
Shaft with rotor : AISI 303 X10 CrNiS 1809 UNI 6900/71

**Motor data**

Motor brand : DAB  
Nominal power P2 : 1 X 0,54 kW  
Rated speed : 2.873 1/min  
Rated voltage : 1~ 220-240 V 50 Hz  
Nominal current : 1 X 4,4 A  
Degree of protection : IP 55

**Curve tolerance according to ISO 9906**  
Number of working motors : 1



**Weight :** 41,8 kg

**Dimensions in mm**

A	110	D3	150	L1	125
B	437	D4	4 asole 18;	L2	125
B1	217	DNA	40	M	4 fori 12
B2	220	DNM	40		
C	100	H	400		
D	80	H1	55		
D1	100	I	200		
D2	110	L	250		

**Pump connection**

Suction side : DN 40 / 1 MPa  
Discharge side : DN 40 / 1 MPa



# PERFORMANCE CURVES

2023-03-17

Page 2 / 3

DAB PUMPS S.p.A.  
Via Marco Polo, 14 - 35035 Mestrino (PD), Italy  
Tel. +39 049 5125000 - Fax +39 049 5125950  
www.dabpumps.com

Receiver

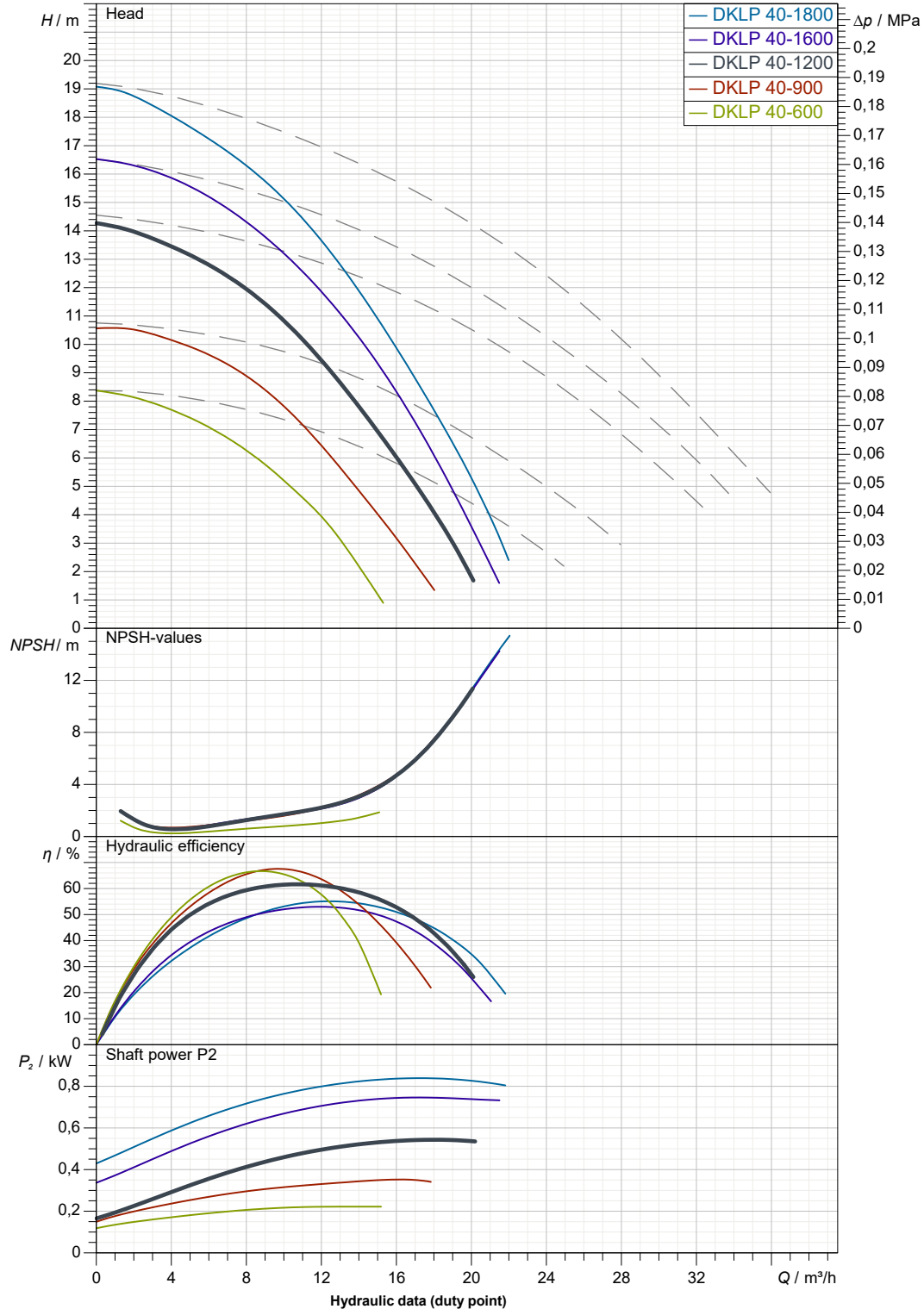
From

Company  
Reference  
Address  
Phone  
Fax  
E-mail

## DKLP 40-1200 M

Number of working motors : 1

Curve tolerance according to ISO 9906



Suction side :  
DN 40  
1 MPa

Discharge side :  
DN 40  
1 MPa

Flow :

Head :

Rated speed :  
2.873 1/min

MAIN\_PROJECT\_TITLE

BUSINESS\_PROCESS\_ID

OWNER\_

ISSUE\_DATE  
2023-03-17



# DIMENSIONAL DRAWING

2023-03-17

Page 3 / 3

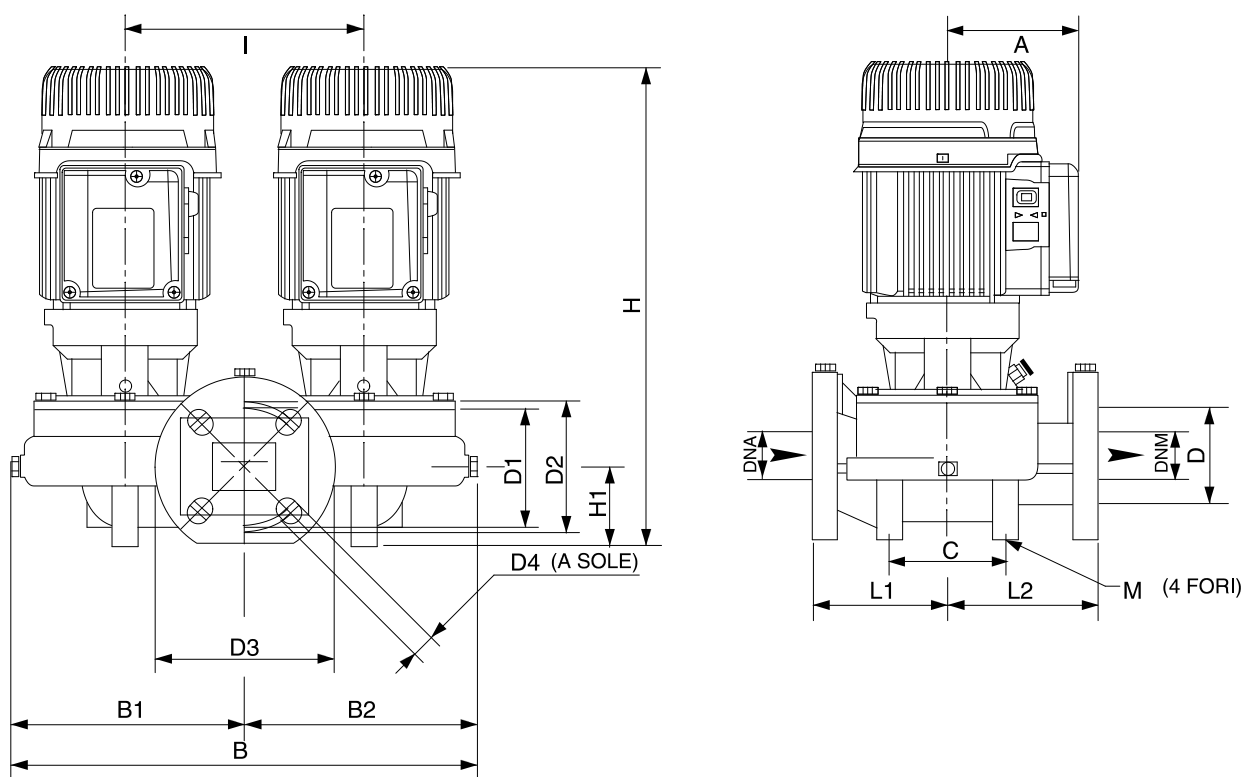
DAB PUMPS S.p.A.  
Via Marco Polo, 14 - 35035 Mestrino (PD), Italy  
Tel. +39 049 5125000 - Fax +39 049 5125950  
www.dabpumps.com

Receiver

From

Company  
Reference  
Address  
Phone  
Fax  
E-mail

## DKLP 40-1200 M



**Dimensions in mm**

**Pump connection**

1	A	110	DNM	40	Suction DN 40 1 MPa  Discharge DN 40 1 MPa
2	B	437	H	400	
3	B1	217	H1	55	
4	B2	220	I	200	
5	C	100	L	250	
6	D	80	L1	125	
7	D1	100	L2	125	
8	D2	110	M	4 fori 12	
9	D3	150			
10	D4	4 asole 18X23			
11	DNA	40			

MAIN\_PROJECT\_TITLE

BUSINESS\_PROCESS\_II

OWNER\_

ISSUE\_DATE

2023-03-17