

Receiver

From

Company
Reference
Address
Phone
Fax
E-mail

Item n° : **Customer pos. no.:**

105110444

Model :

KLM 50-300 M

Pump data

MEI ≥ 0,6

Pressure rating : 1 MPa

Min. fluid temperature : -15 °C

Max. fluid temperature : 120 °C

Max. Ambient temperature : 40 °C

Requested data

Flow :

Head :

Fluid (%) :

Fluid Temperature : 20 °C

Density : 998,3 kg/m³

Kinematic viscosity : 1,005 mm²/s

Vapor pressure : 0,00 MPa

Hydraulic data (duty point)

Flow :

Head :

NPSH :

Shaft power P2 :

Efficiency :

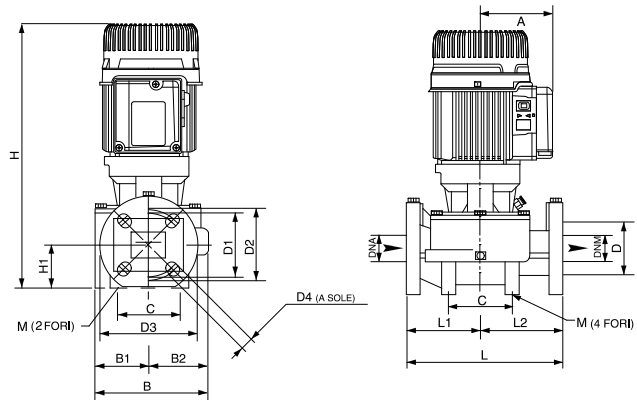
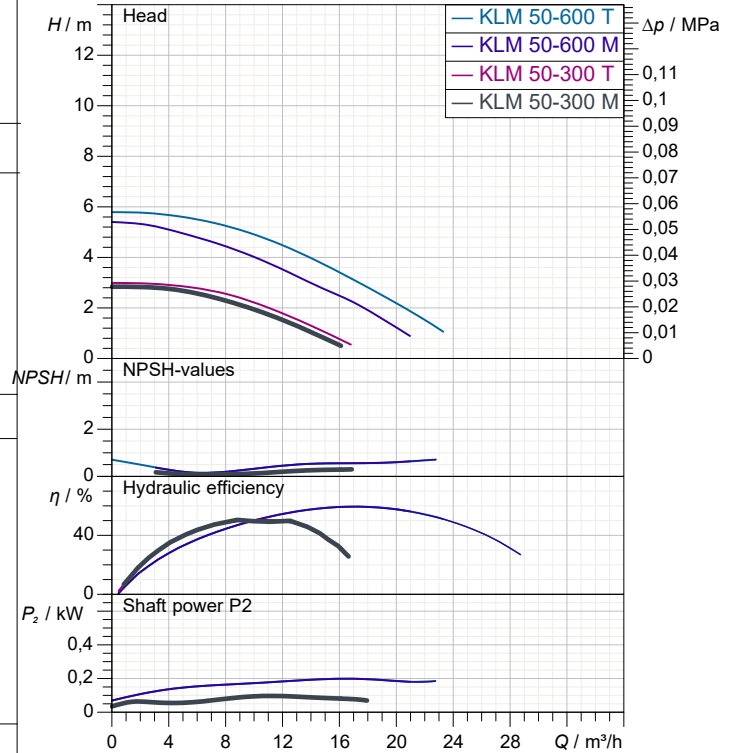
Materials

Pump body	Cast iron 250 UNI ISO 185
Support	Cast iron 250 UNI ISO 185
Impeller	Technopolymer B
Mechanical seal	Carbon/Ceramic
O-Ring	EPDM Rubber
Shaft with rotor	AISI 303 X10 CrNiS 1809 UNI 6900/71

Motor data

Motor brand :	DAB	
Nominal power P2 :	0,11 kW	
Rated speed :	1.410 1/min	
Rated voltage :	1~ 220-240 V	50 Hz
Nominal current :	1,1 A	
Degree of protection :	IP 55	

Curve tolerance according to ISO 9906



Weight : 24,2 kg

Dimensions in mm

A	110	D3	165	L2	140
B	204	D4	4 asole 18;	M	2 fori 10
B1	94	DNA	50		
B2	110	DNM	50		
C	100	H	414		
D	90	H1	73		
D1	110	L	280		
D2	125	L1	140		

Pump connection

Suction side :	DN 50 / 1 MPa
Discharge side :	DN 50 / 1 MPa



PERFORMANCE CURVES

2023-03-17

Page 2 / 3

DAB PUMPS S.p.A.
Via Marco Polo, 14 - 35035 Mestrino (PD), Italy
Tel. +39 049 5125000 - Fax +39 049 5125950
www.dabpumps.com

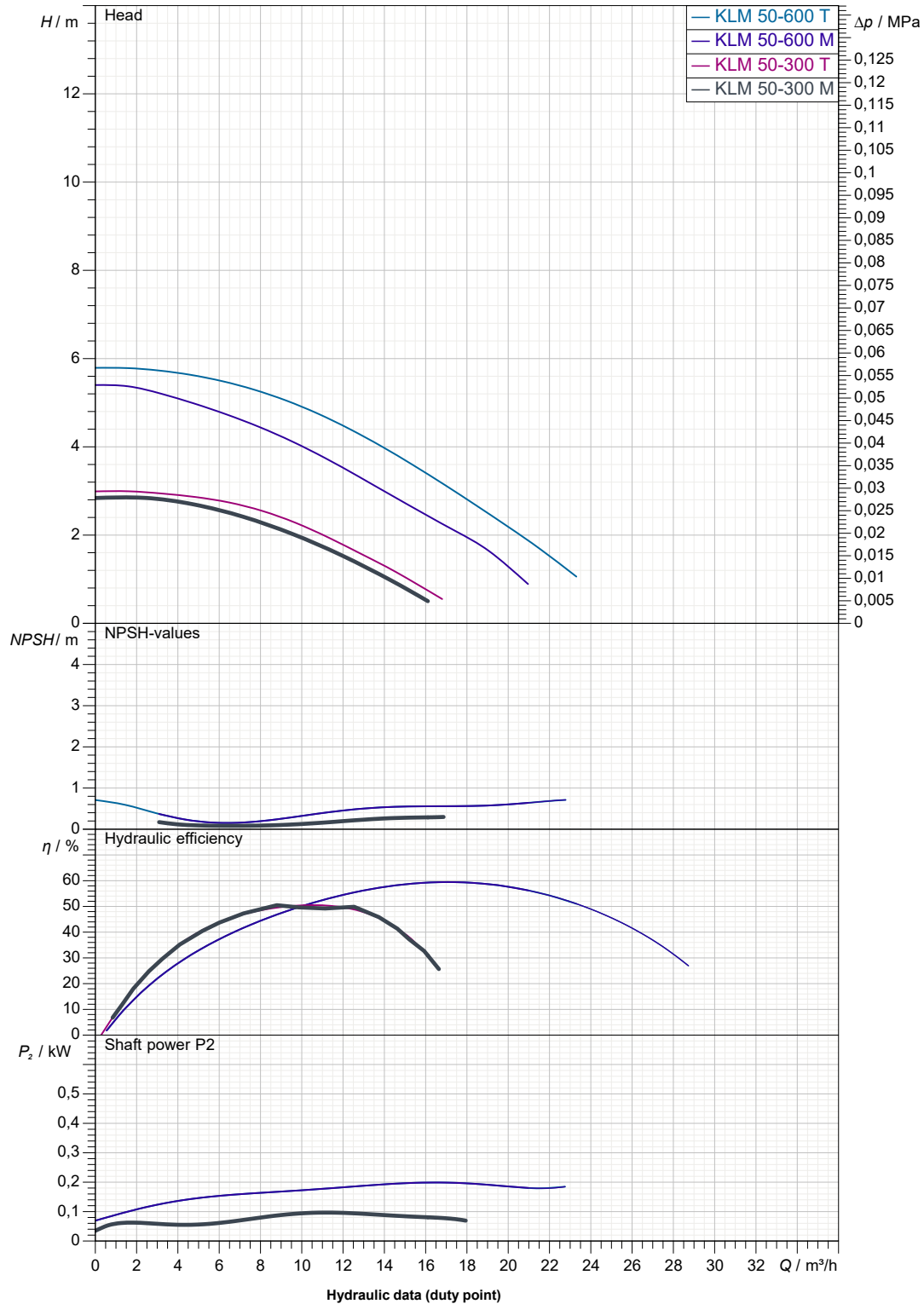
Receiver

From

Company
Reference
Address
Phone
Fax
E-mail

KLM 50-300 M

Curve tolerance according to ISO 9906



Suction side :
DN 50
1 MPa

Discharge side :
DN 50
1 MPa

Flow :

Head :

Rated speed :
1.410 1/min

MAIN_PROJECT_TITLE

BUSINESS_PROCESS_ID

OWNER_

ISSUE_DATE
2023-03-17



DIMENSIONAL DRAWING

2023-03-17

Page 3 / 3

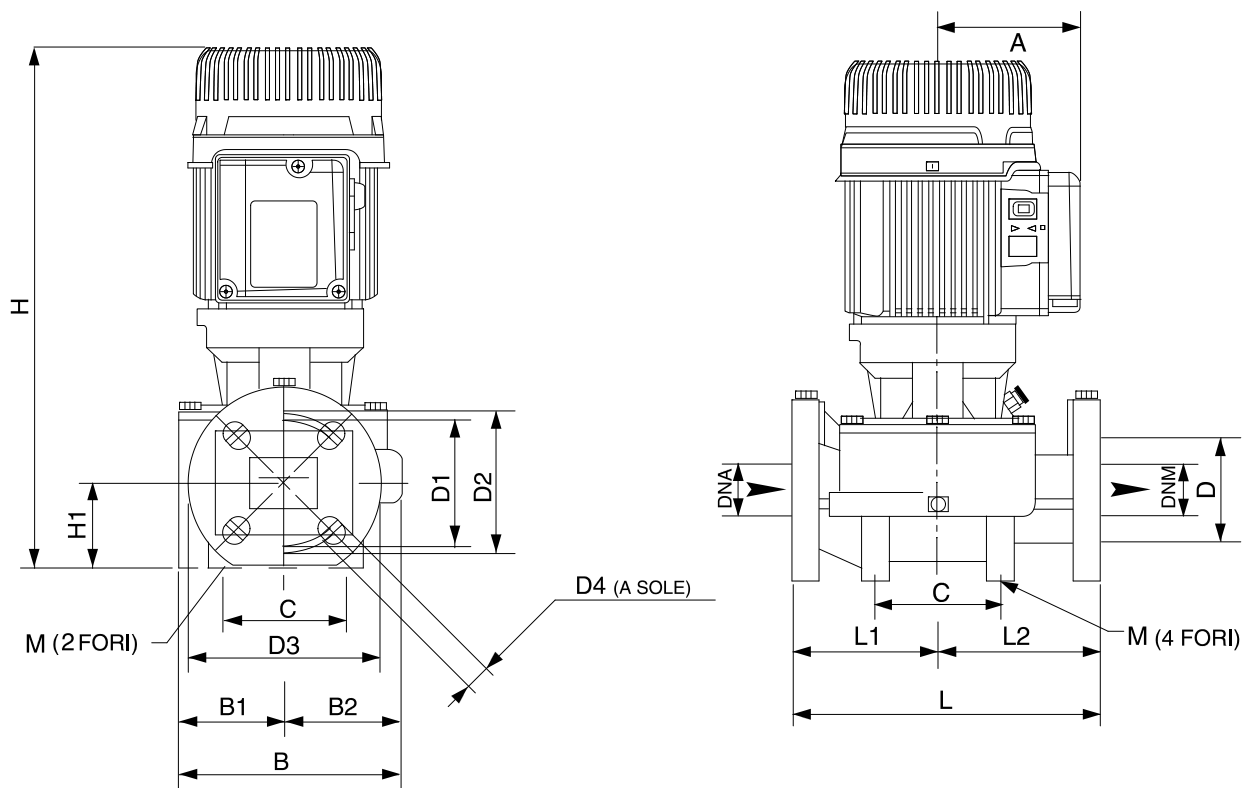
DAB PUMPS S.p.A.
Via Marco Polo, 14 - 35035 Mestrino (PD), Italy
Tel. +39 049 5125000 - Fax +39 049 5125950
www.dabpumps.com

Receiver

From

Company
Reference
Address
Phone
Fax
E-mail

KLM 50-300 M



Dimensions in mm					Pump connection	
1	A	110	DNM	50	Suction DN 50 1 MPa Discharge DN 50 1 MPa	
2	B	204	H	414		
3	B1	94	H1	73		
4	B2	110	L	280		
5	C	100	L1	140		
6	D	90	L2	140		
7	D1	110	M	2 fori 10		
8	D2	125				
9	D3	165				
10	D4	4 asole 18x23				
11	DNA	50				

MAIN_PROJECT_TITLE	BUSINESS_PROCESS_ID	OWNER	ISSUE_DATE 2023-03-17
--------------------	---------------------	-------	---------------------------------