



PERFORMANCE CURVES

2023-03-17

Page 2 / 3

DAB PUMPS S.p.A.
Via Marco Polo, 14 - 35035 Mestrino (PD), Italy
Tel. +39 049 5125000 - Fax +39 049 5125950
www.dabpumps.com

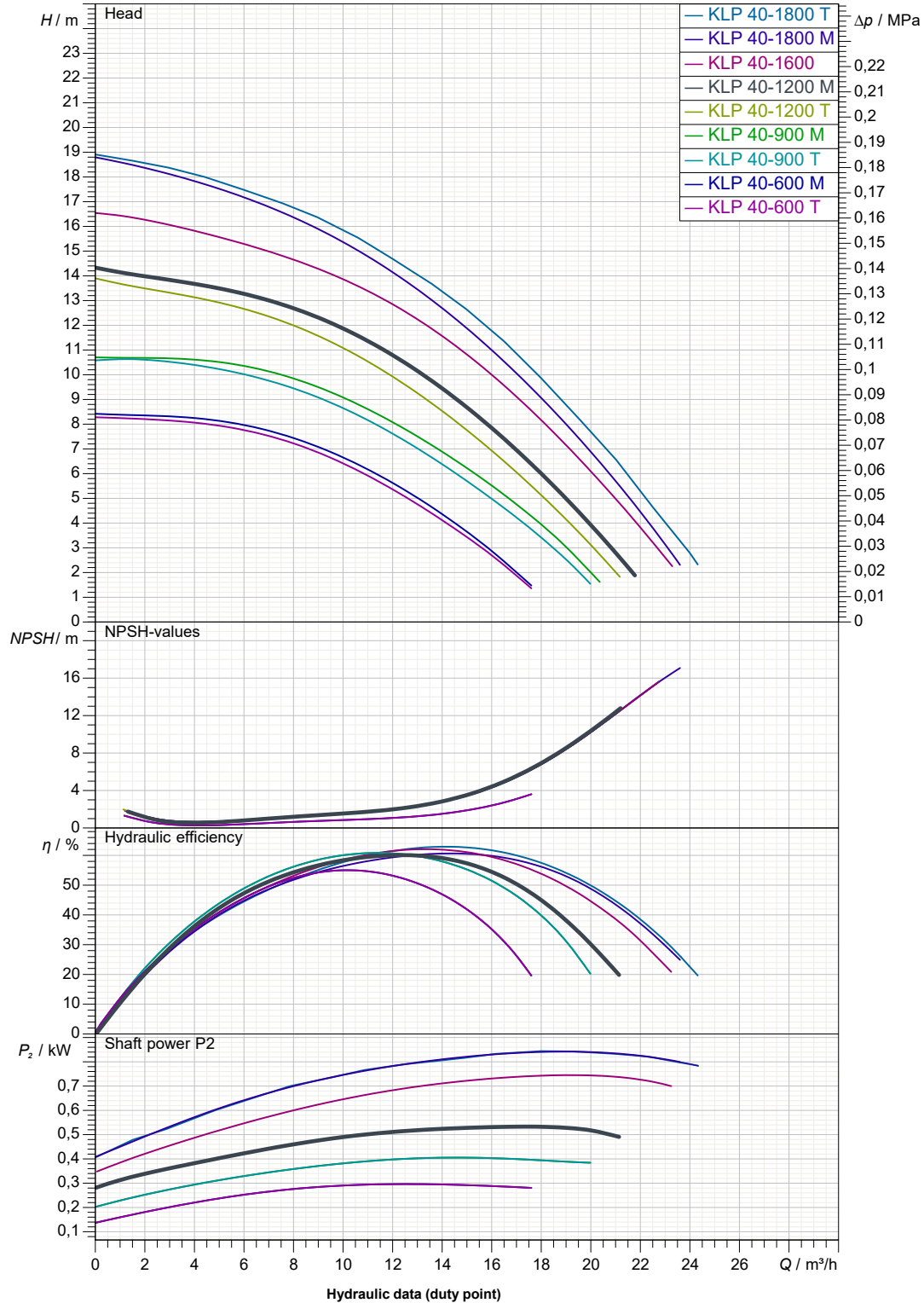
Receiver

From

Company
Reference
Address
Phone
Fax
E-mail

KLP 40-1200 M

Curve tolerance according to ISO 9906



Suction side :
DN 40
1 MPa

Discharge side :
DN 40
1 MPa

Flow :

Head :

Rated speed :
2.873 1/min

MAIN_PROJECT_TITLE

BUSINESS_PROCESS_ID

OWNER_

ISSUE_DATE
2023-03-17



DIMENSIONAL DRAWING

2023-03-17

Page 3 / 3

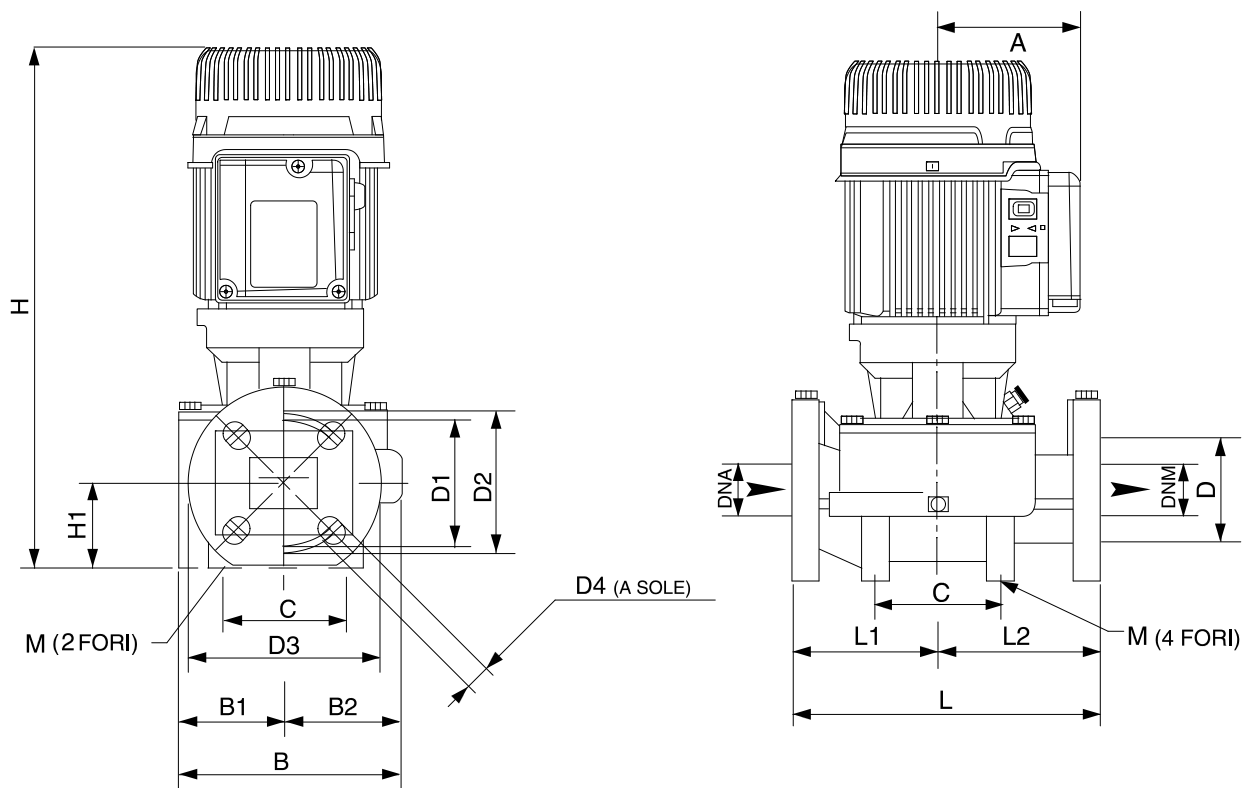
DAB PUMPS S.p.A.
Via Marco Polo, 14 - 35035 Mestrino (PD), Italy
Tel. +39 049 5125000 - Fax +39 049 5125950
www.dabpumps.com

Receiver

From

Company
Reference
Address
Phone
Fax
E-mail

KLP 40-1200 M



Dimensions in mm				Pump connection	
1	A	110	DNM	40	Suction DN 40 1 MPa Discharge DN 40 1 MPa
2	B	179	H	395	
3	B1	82	H1	66	
4	B2	97	L	250	
5	C	100	L1	125	
6	D	80	L2	125	
7	D1	100	M	2 fori 10	
8	D2	110			
9	D3	150			
10	D4	4 asole 18x23			
11	DNA	40			

MAIN_PROJECT_TITLE	BUSINESS_PROCESS_ID	OWNER	ISSUE_DATE 2023-03-17
--------------------	---------------------	-------	---------------------------------