

Receiver

From

Company
Reference
Address
Phone
Fax
E-mail

Item n° : 105110424
Customer pos. no.:
Model : KLP 40-900 M

Pump data

MEI ≥ 0,5
Pressure rating : 1 MPa
Min. fluid temperature : -15 °C
Max. fluid temperature : 120 °C
Max. Ambient temperature : 40 °C

Requested data

Flow :
Head :
Fluid (%) :
Fluid Temperature : 20 °C
Density : 998,3 kg/m³
Kinematic viscosity : 1,005 mm²/s
Vapor pressure : 0,00 MPa

Hydraulic data (duty point)

Flow :
Head :
NPSH :
Shaft power P2 :
Efficiency :

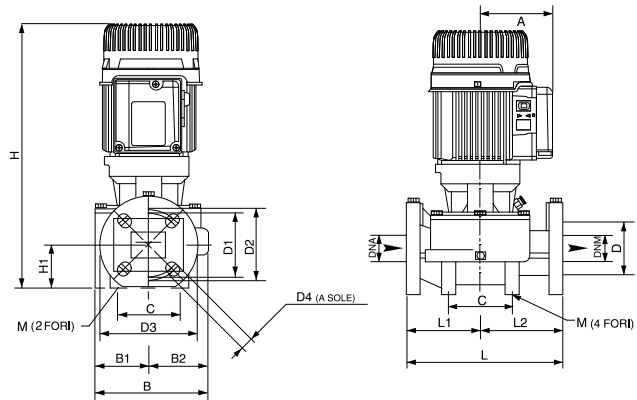
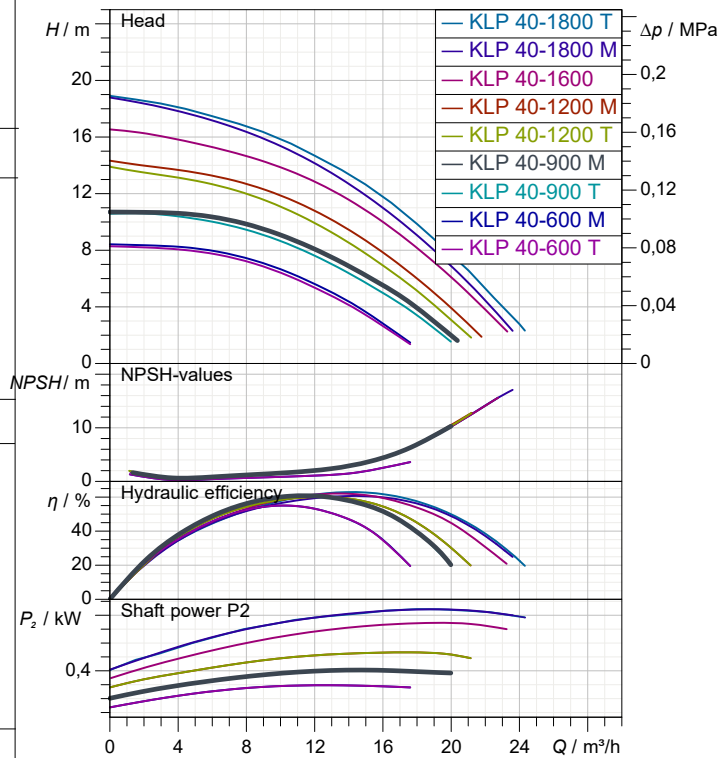
Materials

Pump body : Cast iron 250 UNI ISO 185
Support : Cast iron 250 UNI ISO 185
Impeller : Technopolymer B
Mechanical seal : Carbon/Ceramic
O-Ring : EPDM Rubber
Shaft with rotor : AISI 303 X10 CrNiS 1809 UNI 6900/71

Motor data

Motor brand : DAB
Nominal power P2 : 0,41 kW
Rated speed : 2.913 1/min
Rated voltage : 1~ 220-240 V 50 Hz
Nominal current : 3,75 A
Degree of protection : IP 55

Curve tolerance according to ISO 9906



Weight : 22,5 kg

Dimensions in mm

Dimension	Value	Dimension	Value	Dimension	Value
A	110	D3	150	L2	125
B	179	D4	4 asole 18;	M	2 fori 10
B1	82	DNA	40		
B2	97	DNM	40		
C	100	H	395		
D	80	H1	66		
D1	100	L	250		
D2	110	L1	125		

Pump connection

Suction side : DN 40 / 1 MPa
Discharge side : DN 40 / 1 MPa

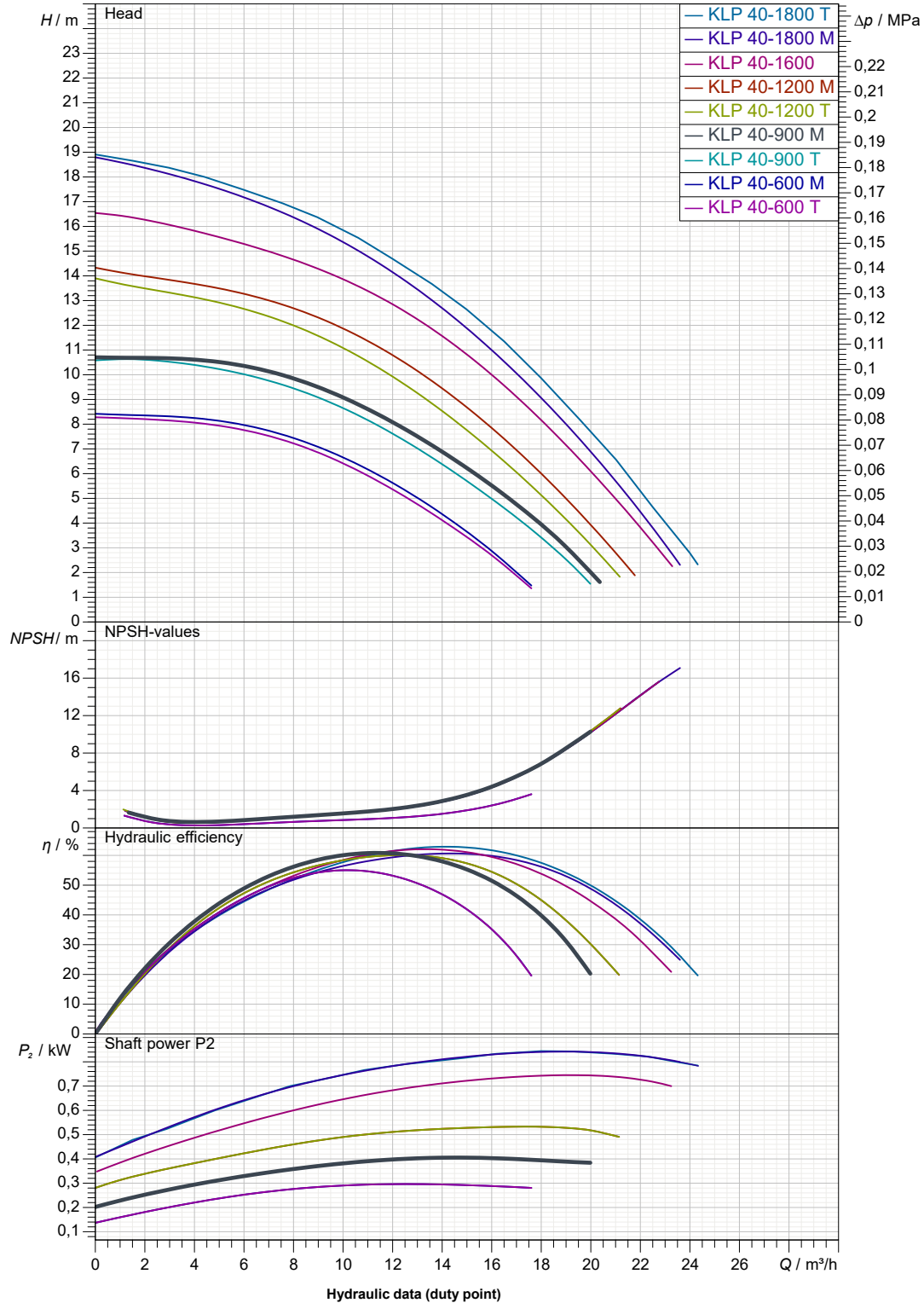
Receiver

From

 Company
 Reference
 Address
 Phone
 Fax
 E-mail

KLP 40-900 M

Curve tolerance according to ISO 9906


 Suction side :
 DN 40
 1 MPa

 Discharge side :
 DN 40
 1 MPa

Flow :

Head :

 Rated speed :
 2.913 1/min

MAIN_PROJECT_TITLE

BUSINESS_PROCESS_ID

OWNER_

 ISSUE_DATE
2023-03-17



DIMENSIONAL DRAWING

2023-03-17

Page 3 / 3

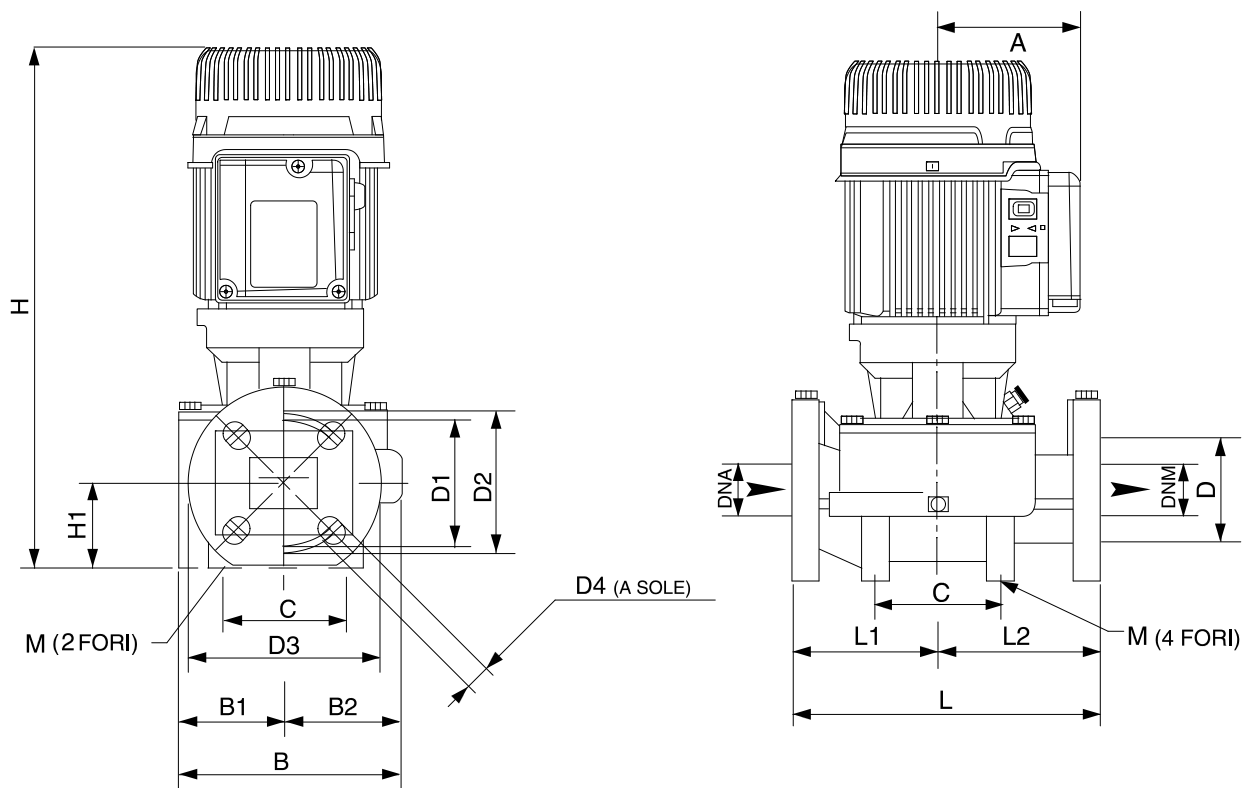
DAB PUMPS S.p.A.
Via Marco Polo, 14 - 35035 Mestrino (PD), Italy
Tel. +39 049 5125000 - Fax +39 049 5125950
www.dabpumps.com

Receiver

From

Company
Reference
Address
Phone
Fax
E-mail

KLP 40-900 M



Dimensions in mm				Pump connection	
1	A	110	DNM	40	Suction DN 40 1 MPa Discharge DN 40 1 MPa
2	B	179	H	395	
3	B1	82	H1	66	
4	B2	97	L	250	
5	C	100	L1	125	
6	D	80	L2	125	
7	D1	100	M	2 fori 10	
8	D2	110			
9	D3	150			
10	D4	4 asole 18x23			
11	DNA	40			

MAIN_PROJECT_TITLE	BUSINESS_PROCESS_ID	OWNER	ISSUE_DATE 2023-03-17
--------------------	---------------------	-------	---------------------------------