

### Receiver

### From

Company  
Reference  
Address  
Phone  
Fax  
E-mail

#### Item n° :

105110414

Model :

KLP 40-600 M

#### Customer pos. no.:

#### Pump data

MEI ≥ 0,5

Pressure rating : 1 MPa

Min. fluid temperature : -15 °C

Max. fluid temperature : 120 °C

Max. Ambient temperature : 40 °C

#### Requested data

Flow :

Head :

Fluid (%) :

Fluid Temperature : 20 °C

Density : 998,3 kg/m³

Kinematic viscosity : 1,005 mm²/s

Vapor pressure : 0,00 MPa

#### Hydraulic data (duty point)

Flow :

Head :

NPSH :

Shaft power P2 :

Efficiency :

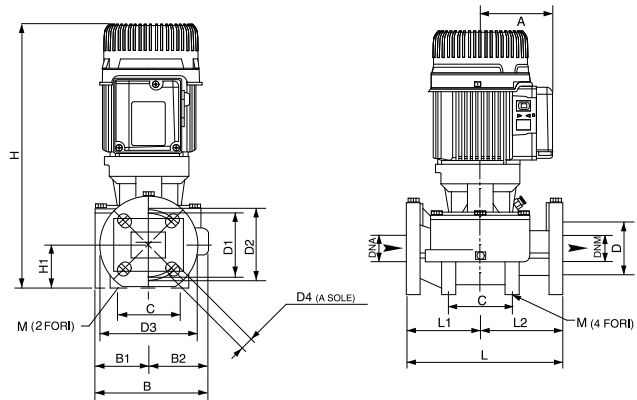
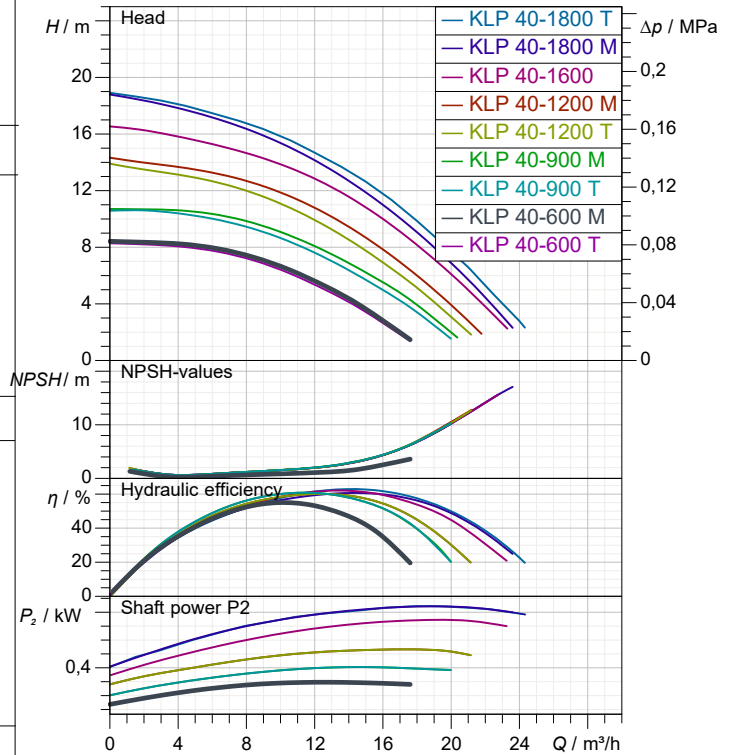
#### Materials

Pump body	Cast iron 250 UNI ISO 185
Support	Cast iron 250 UNI ISO 185
Impeller	Technopolymer B
Mechanical seal	Carbon/Ceramic
O-Ring	EPDM Rubber
Shaft with rotor	AISI 303 X10 CrNiS 1809 UNI 6900/71

#### Motor data

Motor brand :	DAB	
Nominal power P2 :	0,3 kW	
Rated speed :	2.937 1/min	
Rated voltage :	1~ 220-240 V	50 Hz
Nominal current :	3,29 A	
Degree of protection :	IP 55	

#### Curve tolerance according to ISO 9906



Weight : 22,5 kg

#### Dimensions in mm

A	110	D3	150	L2	125
B	179	D4	4 asole 18;	M	2 fori 10
B1	82	DNA	40		
B2	97	DNM	40		
C	100	H	395		
D	80	H1	66		
D1	100	L	250		
D2	110	L1	125		

#### Pump connection

Suction side :	DN 40 / 1 MPa
Discharge side :	DN 40 / 1 MPa

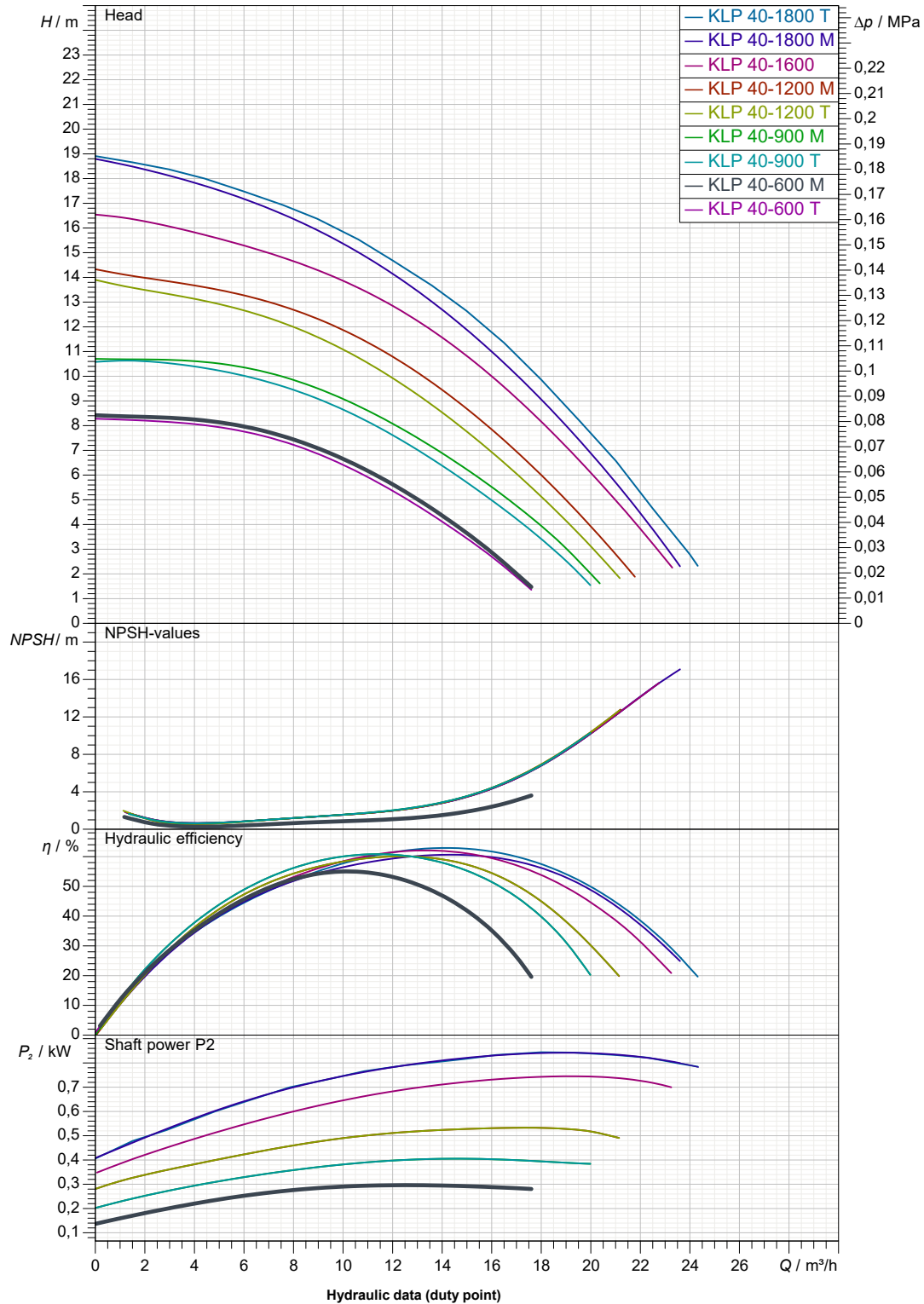
Receiver

From

 Company  
 Reference  
 Address  
 Phone  
 Fax  
 E-mail

**KLP 40-600 M**

Curve tolerance according to ISO 9906


 Suction side :  
 DN 40  
 1 MPa

 Discharge side :  
 DN 40  
 1 MPa

Flow :

Head :

 Rated speed :  
 2.937 1/min

MAIN\_PROJECT\_TITLE

BUSINESS\_PROCESS\_ID

OWNER\_

 ISSUE\_DATE  
**2023-03-17**



# DIMENSIONAL DRAWING

2023-03-17

Page 3 / 3

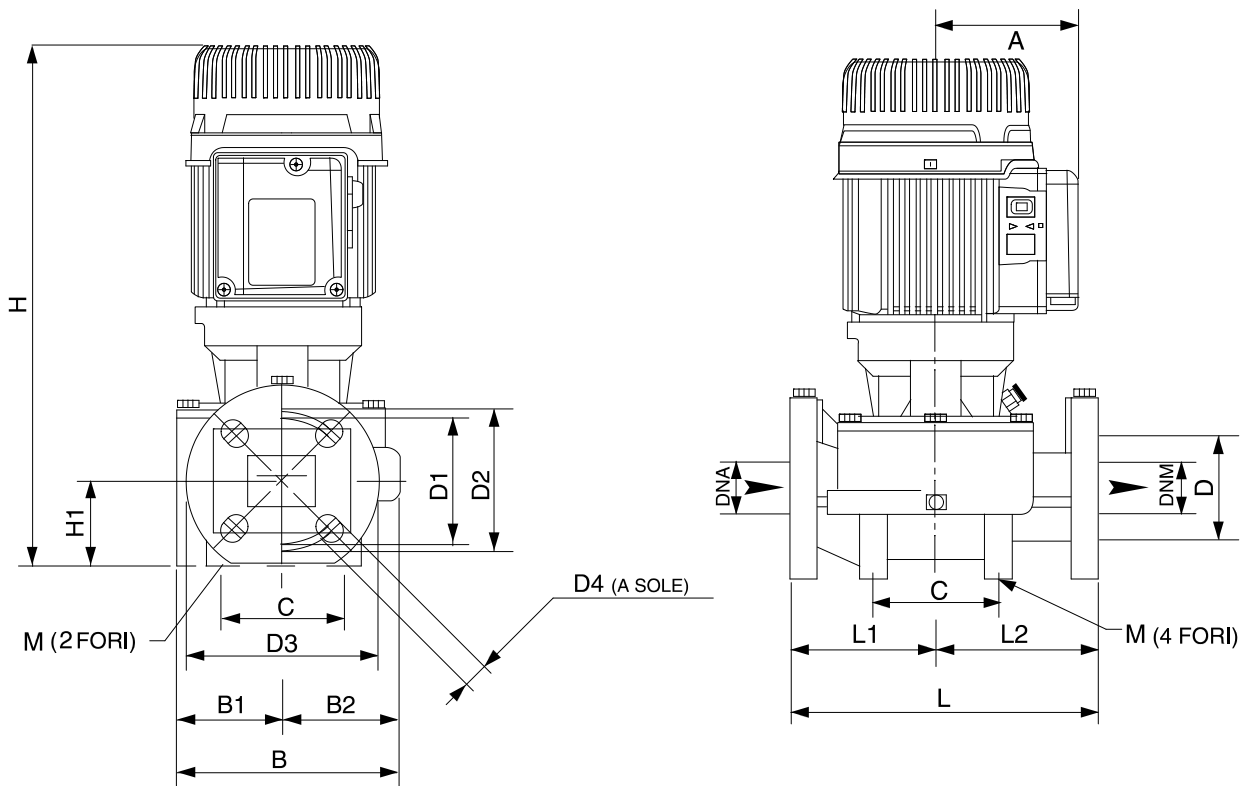
DAB PUMPS S.p.A.  
Via Marco Polo, 14 - 35035 Mestrino (PD), Italy  
Tel. +39 049 5125000 - Fax +39 049 5125950  
www.dabpumps.com

Receiver

From

Company  
Reference  
Address  
Phone  
Fax  
E-mail

## KLP 40-600 M



Dimensions in mm				Pump connection	
1	A	110	DNM	40	Suction DN 40 1 MPa  Discharge DN 40 1 MPa
2	B	179	H	395	
3	B1	82	H1	66	
4	B2	97	L	250	
5	C	100	L1	125	
6	D	80	L2	125	
7	D1	100	M	2 fori 10	
8	D2	110			
9	D3	150			
10	D4	4 asole 18x23			
11	DNA	40			

MAIN_PROJECT_TITLE	BUSINESS_PROCESS_ID	OWNER	ISSUE_DATE <b>2023-03-17</b>
--------------------	---------------------	-------	---------------------------------