

**Receiver**

**From**

Company  
Reference  
Address  
Phone  
Fax  
E-mail

**Item n° :** 105110234  
**Customer pos. no.:**  
Model : KLP 40/1200 T

**Pump data**  
MEI ≥ 0,5  
Pressure rating : 1 MPa  
Min. fluid temperature : -15 °C  
Max. fluid temperature : 120 °C  
Max. Ambient temperature : 40 °C

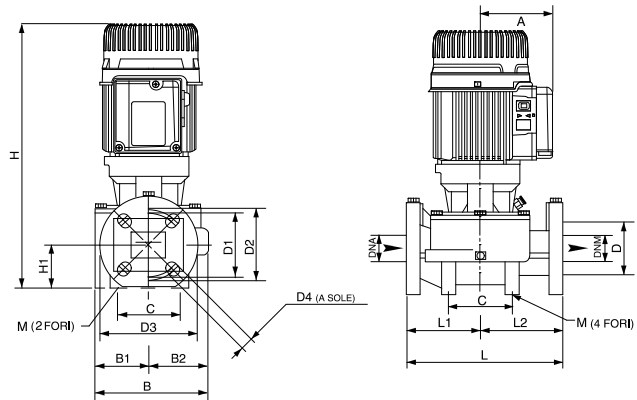
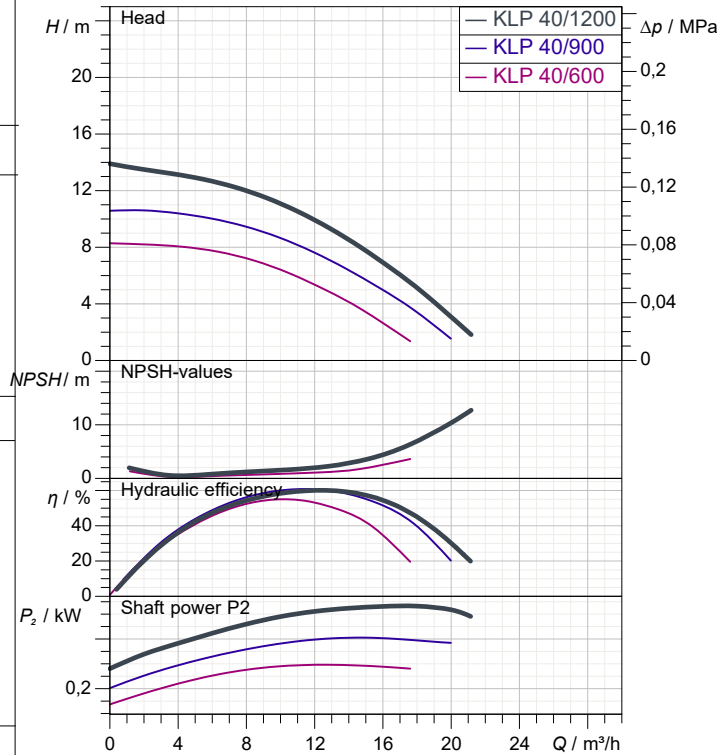
**Requested data**  
Flow :  
Head :  
Fluid (%) :  
Fluid Temperature : 20 °C  
Density : 998,3 kg/m³  
Kinematic viscosity : 1,005 mm²/s  
Vapor pressure : 0,00 MPa

**Hydraulic data (duty point)**  
Flow :  
Head :  
NPSH :  
Shaft power P2 :  
Efficiency :

**Materials**  
Pump body : Cast iron 250 UNI ISO 185  
Support : Cast iron 250 UNI ISO 185  
Impeller : Technopolymer B  
Mechanical seal : Carbon/Ceramic  
O-Ring : EPDM Rubber  
Shaft with rotor : AISI 303 X10 CrNiS 1809 UNI 6900/71

**Motor data**  
Motor brand : DAB  
Nominal power P2 : 0,8 kW  
Rated speed : 2.937 1/min  
Rated voltage : 3~ 230 V 50 Hz  
Nominal current : 5,05 A  
Degree of protection : IP 55

**Curve tolerance according to ISO 9906**



**Weight :**

**Dimensions in mm**

A	110	D3	150	L2	125
B	179	D4	4 asole 18;	M	2 fori 10
B1	82	DNA	40		
B2	97	DNM	40		
C	100	H	395		
D	80	H1	66		
D1	100	L	250		
D2	110	L1	125		

**Pump connection**

Suction side : DN 40 / 1 MPa  
Discharge side : DN 40 / 1 MPa



# PERFORMANCE CURVES

2023-03-17

Page 2 / 3

DAB PUMPS S.p.A.  
Via Marco Polo, 14 - 35035 Mestrino (PD), Italy  
Tel. +39 049 5125000 - Fax +39 049 5125950  
www.dabpumps.com

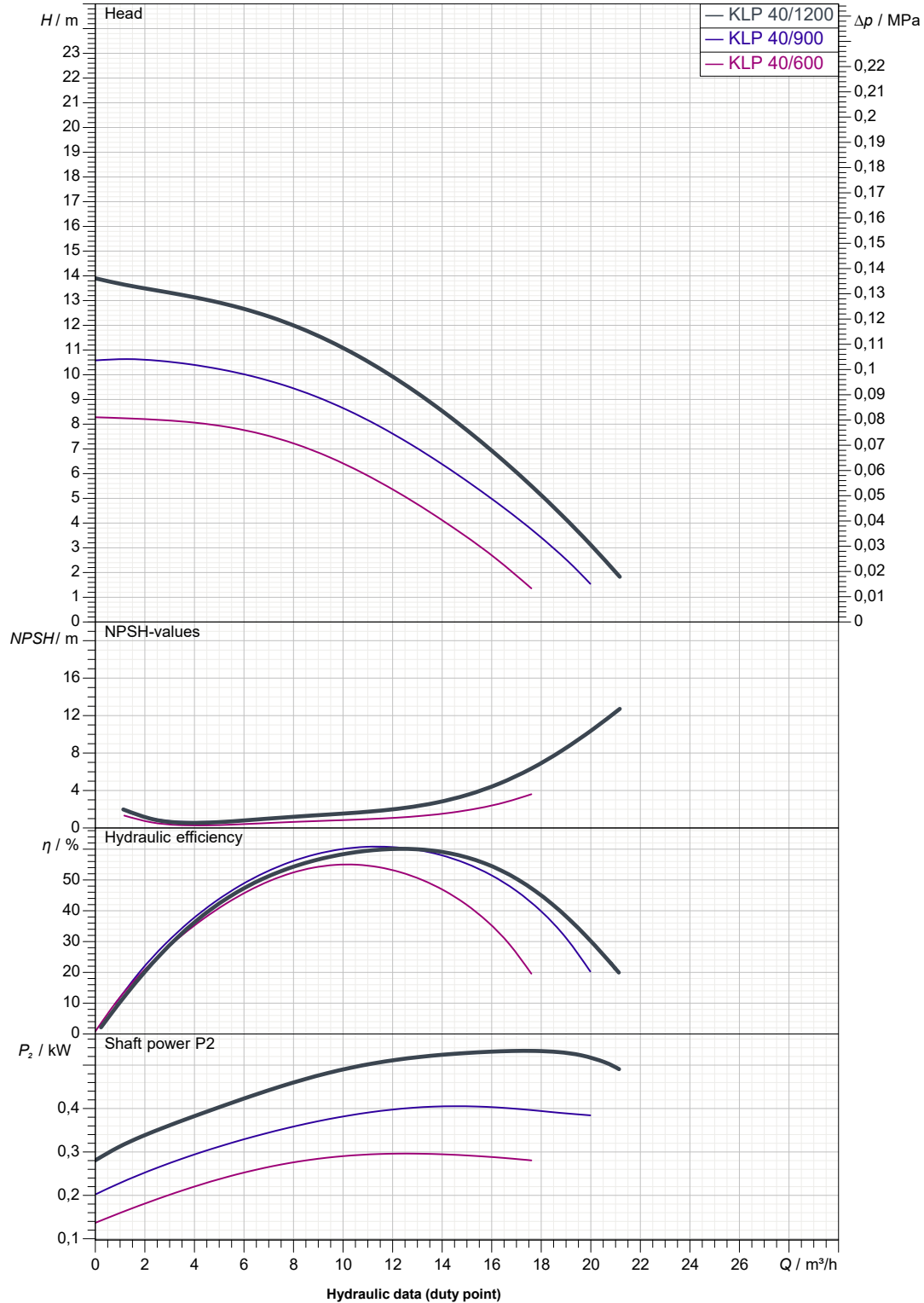
Receiver

From

Company  
Reference  
Address  
Phone  
Fax  
E-mail

## KLP 40/1200 T

Curve tolerance according to ISO 9906



Suction side :  
DN 40  
1 MPa

Discharge side :  
DN 40  
1 MPa

Flow :

Head :

Rated speed :  
2.937 1/min

MAIN\_PROJECT\_TITLE

BUSINESS\_PROCESS\_ID

OWNER\_

ISSUE\_DATE  
2023-03-17



# DIMENSIONAL DRAWING

2023-03-17

Page 3 / 3

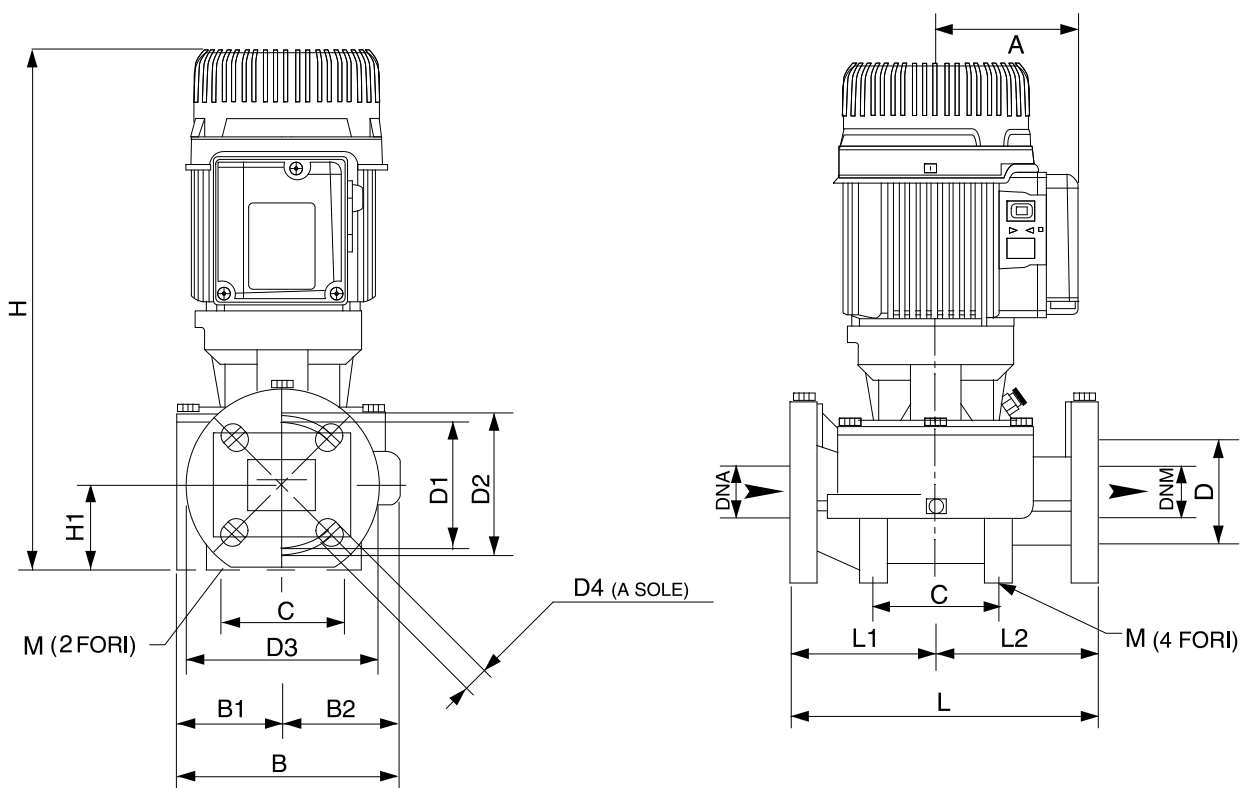
DAB PUMPS S.p.A.  
Via Marco Polo, 14 - 35035 Mestrino (PD), Italy  
Tel. +39 049 5125000 - Fax +39 049 5125950  
www.dabpumps.com

Receiver

From

Company  
Reference  
Address  
Phone  
Fax  
E-mail

## KLP 40/1200 T



Dimensions in mm					Pump connection	
1	A	110	DNM	40	Suction DN 40 1 MPa  Discharge DN 40 1 MPa	
2	B	179	H	395		
3	B1	82	H1	66		
4	B2	97	L	250		
5	C	100	L1	125		
6	D	80	L2	125		
7	D1	100	M	2 fori 10		
8	D2	110				
9	D3	150				
10	D4	4 asole 18x23				
11	DNA	40				

MAIN_PROJECT_TITLE	BUSINESS_PROCESS_ID	OWNER	ISSUE_DATE <b>2023-03-17</b>
--------------------	---------------------	-------	---------------------------------