

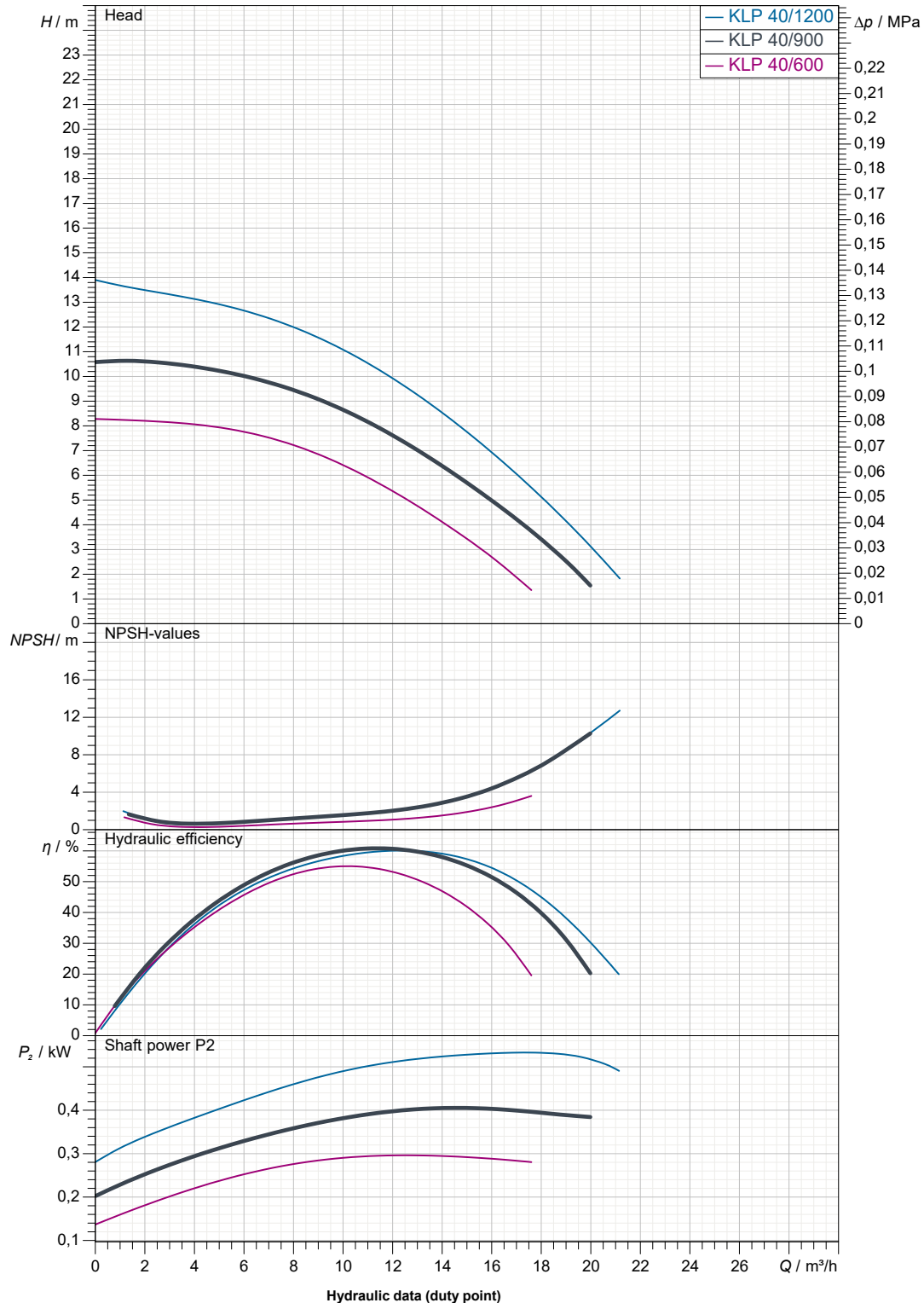
Receiver

From

 Company
 Reference
 Address
 Phone
 Fax
 E-mail

KLP 40/900 T

Curve tolerance according to ISO 9906


 Suction side :
 DN 40
 1 MPa

 Discharge side :
 DN 40
 1 MPa

Flow :

Head :

 Rated speed :
 2.851 1/min

MAIN_PROJECT_TITLE

BUSINESS_PROCESS_IT

OWNER_

 ISSUE_DATE
 2023-03-17



DIMENSIONAL DRAWING

2023-03-17

Page 3 / 3

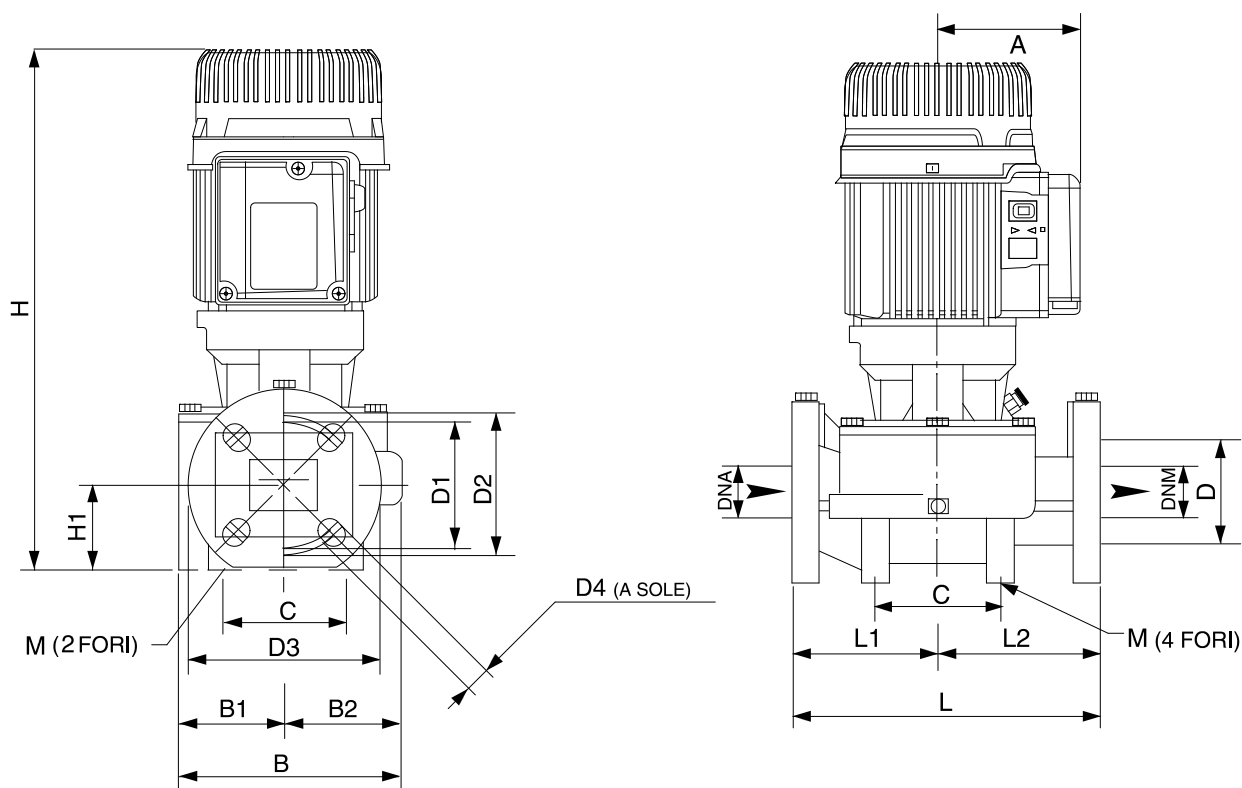
DAB PUMPS S.p.A.
Via Marco Polo, 14 - 35035 Mestrino (PD), Italy
Tel. +39 049 5125000 - Fax +39 049 5125950
www.dabpumps.com

Receiver

From

Company
Reference
Address
Phone
Fax
E-mail

KLP 40/900 T



Dimensions in mm					Pump connection	
1	A	110	DNM	40	Suction DN 40 1 MPa Discharge DN 40 1 MPa	
2	B	179	H	395		
3	B1	82	H1	66		
4	B2	97	L	250		
5	C	100	L1	125		
6	D	80	L2	125		
7	D1	100	M	2 fori 10		
8	D2	110				
9	D3	150				
10	D4	4 asole 18x23				
11	DNA	40				

MAIN_PROJECT_TITLE	BUSINESS_PROCESS_ID	OWNER	ISSUE_DATE 2023-03-17
--------------------	---------------------	-------	---------------------------------