

**Receiver**

**From**

Society  
Reference  
Address  
Phone  
Fax  
E-mail

**Item n° :**

103040100

**Model :**

FEKA VS 1000 T - NA

**Pump data**

Free passage : 50 mm

Pressure rating :

Min. fluid temperature : 0

Max. fluid temperature : 50 °C

Max. Ambient temperature : 40 °C

**Requested data**

Flow :

Head :

Fluid : Dirty water

Fluid Temperature : 20 °C

Density : 998 kg/m<sup>3</sup>

Kinematic viscosity : 1 mm<sup>2</sup>/s

Vapor pressure :

**Hydraulic data (duty point)**

Flow :

Head :

**Materials**

Pump body : Stainless Steel (AISI 304)

Impeller : Stainless Steel (AISI 304)

Motor shaft : AISI 316

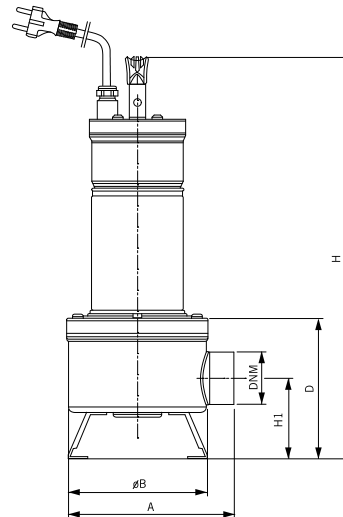
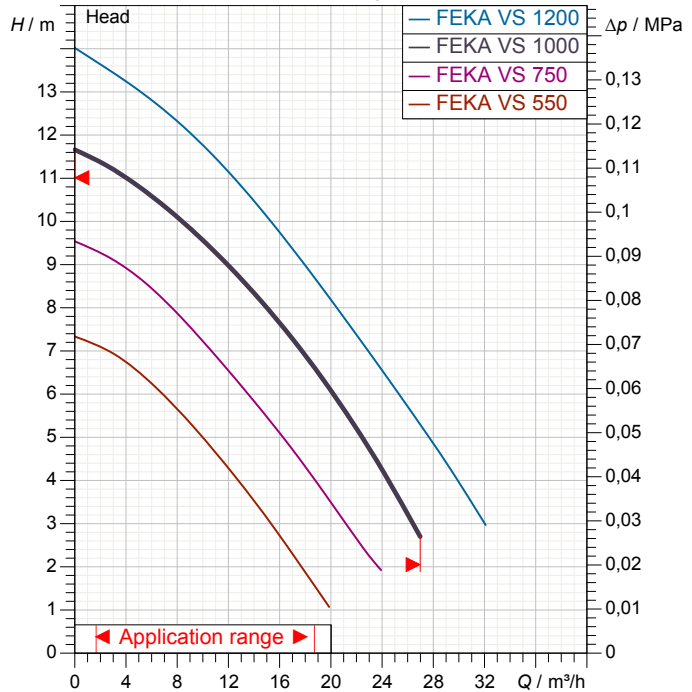
Seal disk : Stainless Steel (AISI 304)

Motor casing : Stainless Steel (AISI 304)

Protection cover : Stainless Steel (AISI 304)

Mechanical seal pump side : Silicon carbide/Silicon carbide

**Curve tolerance according to ISO 9906**



**Motor data**

**Weight :** 19,3 kg

Motor brand : DAB

Nominal power P2 : 1 kW

Rated speed : 2800 1/min

Rated voltage : 3~ 400 V

50 Hz

Nominal current : 2,51 A

Degree of protection : IP 68

**Dimensions in mm**

A	203				
B	170				
D	172				
DNM	2" F				
H	537				
H1	98				

**Pump connection**

Suction side : /  
Discharge side : 2" F / --

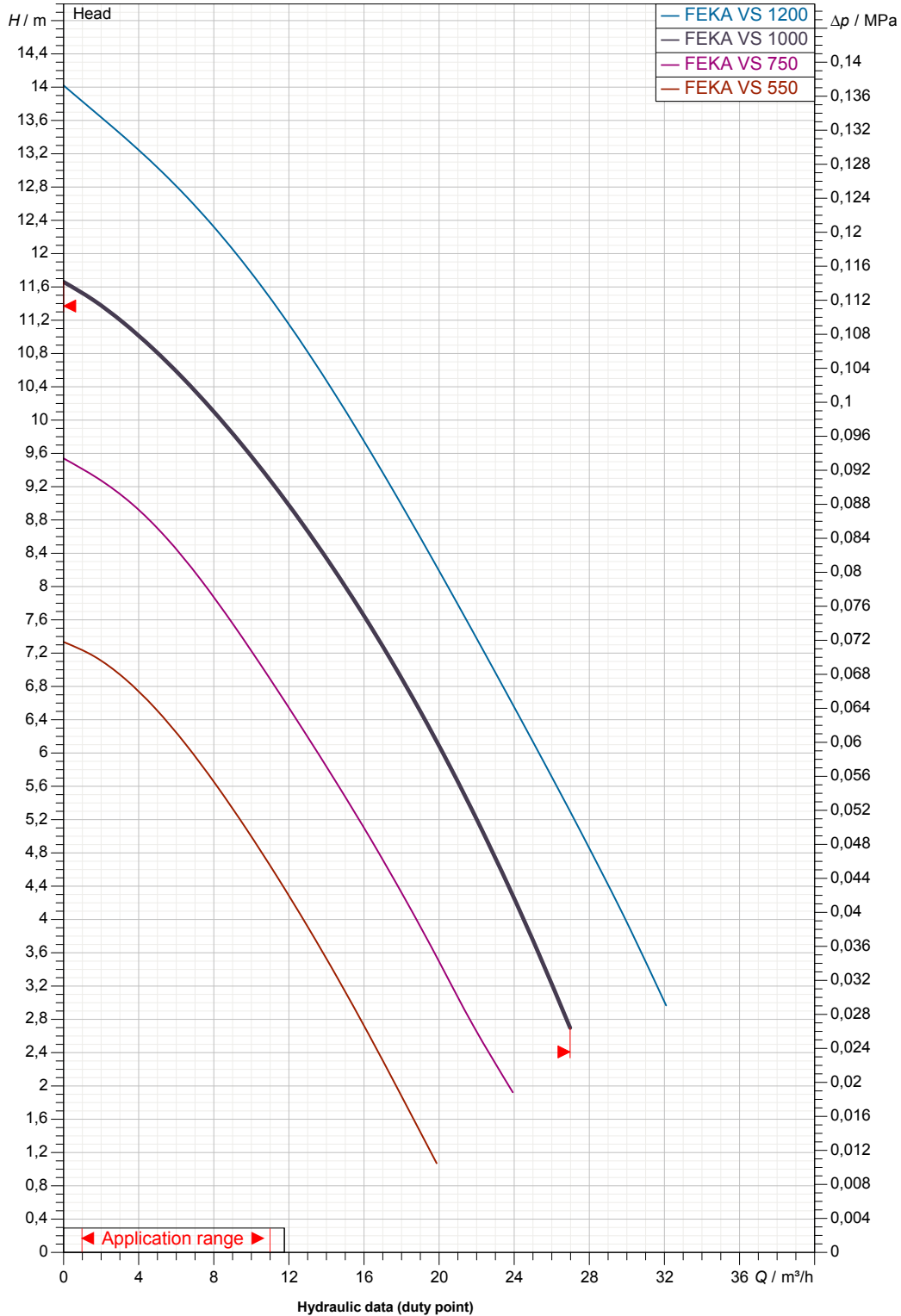
Receiver

From

Society  
Reference  
Address  
Phone  
Fax  
E-mail

## FEKA VS 1000 T - NA

Curve tolerance according to ISO 9906



Suction side :

Discharge side :  
2" F  
--

Flow :

Head :

Rated speed :  
2800 1/min

MAIN\_PROJECT\_TITLE

BUSINESS\_PROCESS\_IC

OWNER\_

ISSUE\_DATE



# DIMENSIONAL DRAWING

2019-01-21

Page 3 / 3

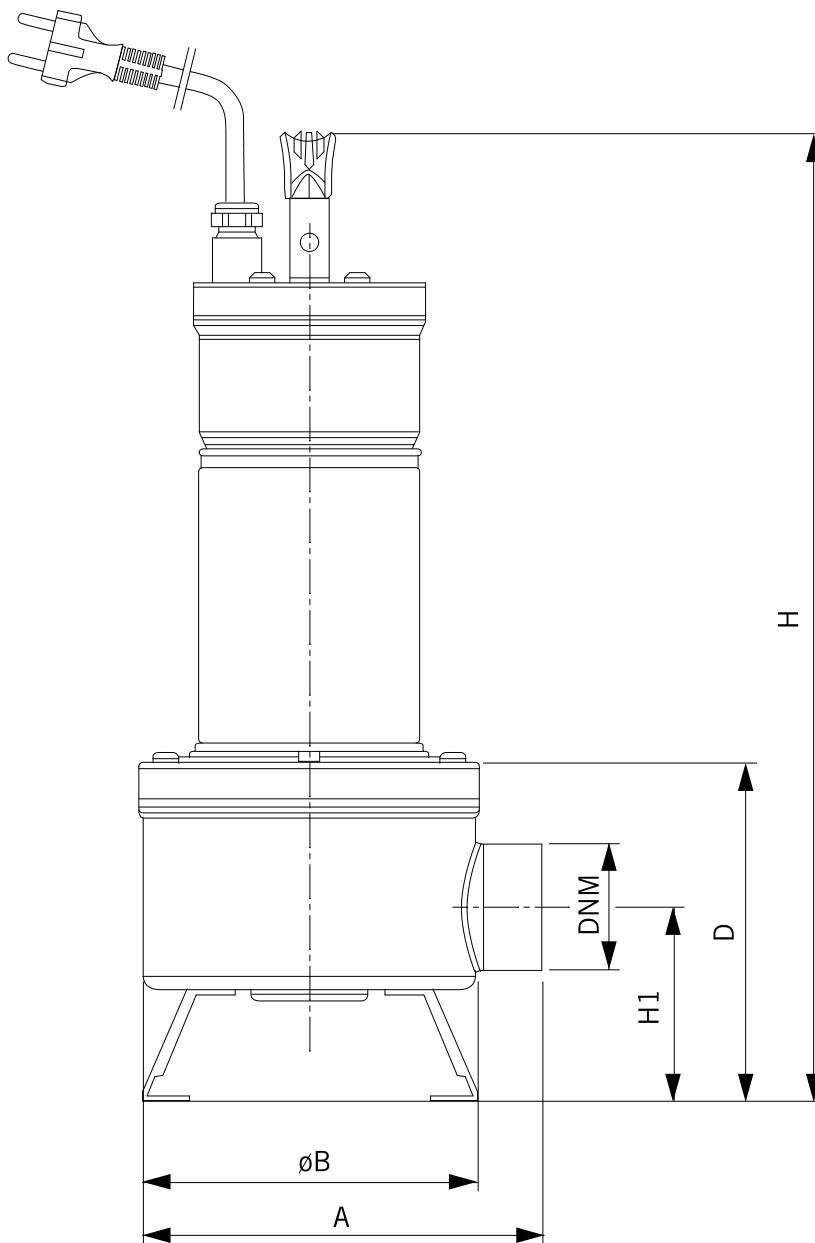
DAB PUMPS S.p.A.  
Via Marco Polo, 14 - 35035 Mestrino (PD), Italy  
Tel. +39 049 5125000 - Fax +39 049 5125950  
www.dabpumps.com

Receiver

From

Society  
Reference  
Address  
Phone  
Fax  
E-mail

## FEKA VS 1000 T - NA



Dimensions in mm						Pump connection
1	A	203				Suction  Discharge 2" F --
2	B	170				
3	D	172				
4	DNM	2" F				
5	H	537				
6	H1	98				

MAIN_PROJECT_TITLE	BUSINESS_PROCESS_ID	OWNER	ISSUE_DATE
--------------------	---------------------	-------	------------