

Receiver

From

Society
Reference
Address
Phone
Fax
E-mail

Item n° :

103002694

Model :

NOVA 180 M-NA SV

Pump data

Free passage : 5 mm
Pressure rating :
Min. fluid temperature : 0 °C
Max. fluid temperature : 35 °C
Max. Ambient temperature : 40 °C

Requested data

Flow :
Head :
Fluid : Water
Fluid Temperature : 20 °C
Density : 998,3 kg/m³
Kinematic viscosity : 1,005 mm²/s
Vapor pressure :

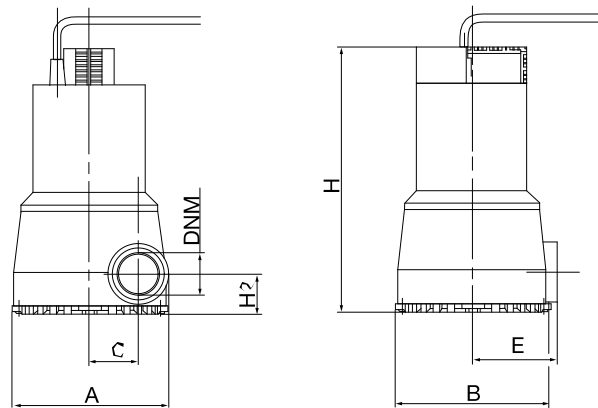
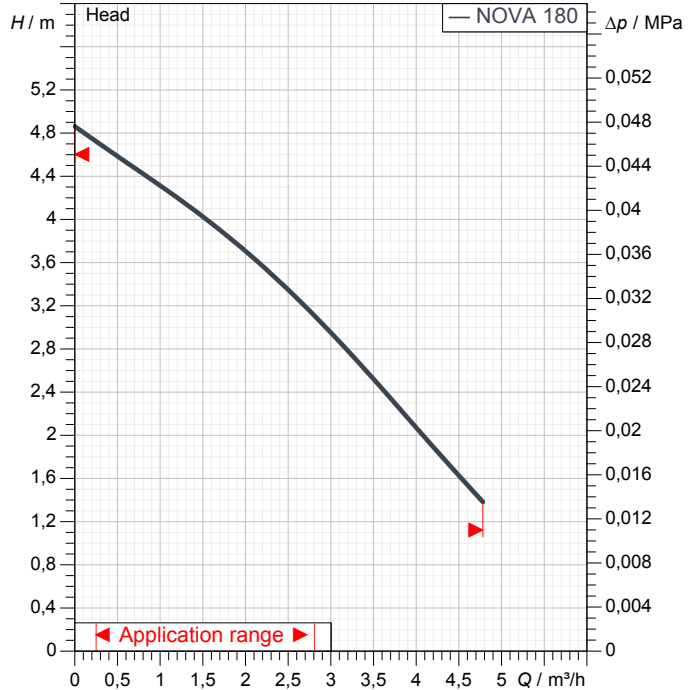
Hydraulic data (duty point)

Flow :
Head :

Materials

Pump body : Technopolymer
Impeller : Technopolymer
OR ring : NBR Rubber
Motor top body : AISI 304 X5 Cr Ni 1810 UNI 6900/71
Rotor shaft : AISI 431
Seeger ring : 12E - UNI 7435 STAINLESS
Suction strainer : Technopolymer

Curve tolerance according to ISO 9906



Motor data

Weight : 4,5 kg

Motor brand : DAB
Nominal power P2 : 0,2 kW
Rated speed : 2900 1/min
Rated voltage : 1~ 220-240 V 50 Hz
Nominal current : 0,9 A
Degree of protection : IP 68

Dimensions in mm

Dimension	Value (mm)
A	148
B	148
C	46
DNM	1" 1/4 G
E	82
H	253
H2	38

Pump connection

Suction side : /
Discharge side : 1" 1/4 G / --



PERFORMANCE CURVES

2019-01-21

Page 2 / 3

DAB PUMPS S.p.A.
Via Marco Polo, 14 - 35035 Mestrino (PD), Italy
Tel. +39 049 5125000 - Fax +39 049 5125950
www.dabpumps.com

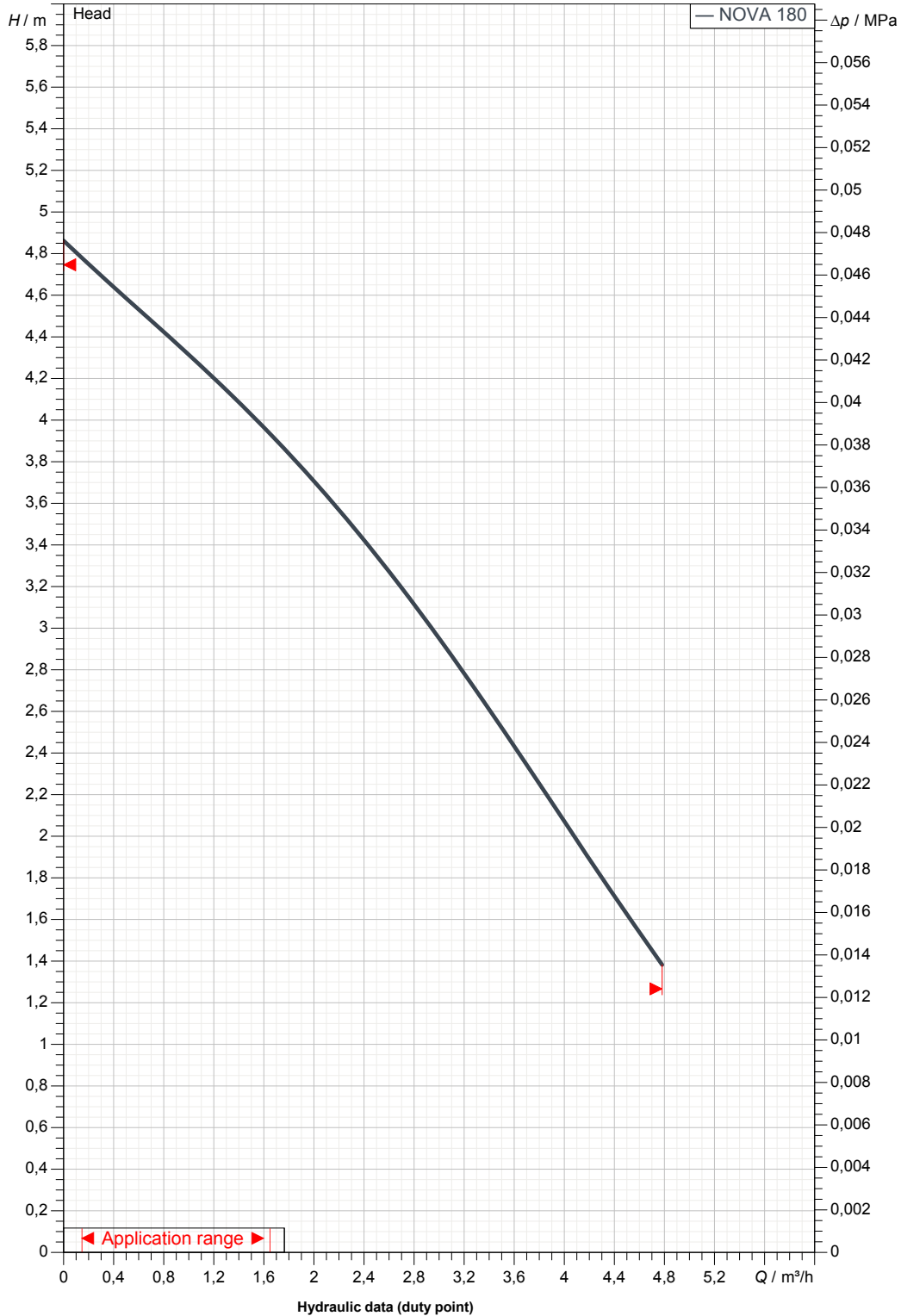
Receiver

From

Society
Reference
Address
Phone
Fax
E-mail

NOVA 180 M-NA SV

Curve tolerance according to ISO 9906



Suction side :

Discharge side :

Flow :

Head :

Rated speed :

1" 1/4 G
--

2900 1/min

MAIN_PROJECT_TITLE

BUSINESS_PROCESS_IT

OWNER_

ISSUE_DATE

Untitled project 2019-01-21 15:10:13.860

21/01/2019



DIMENSIONAL DRAWING

2019-01-21

Page 3 / 3

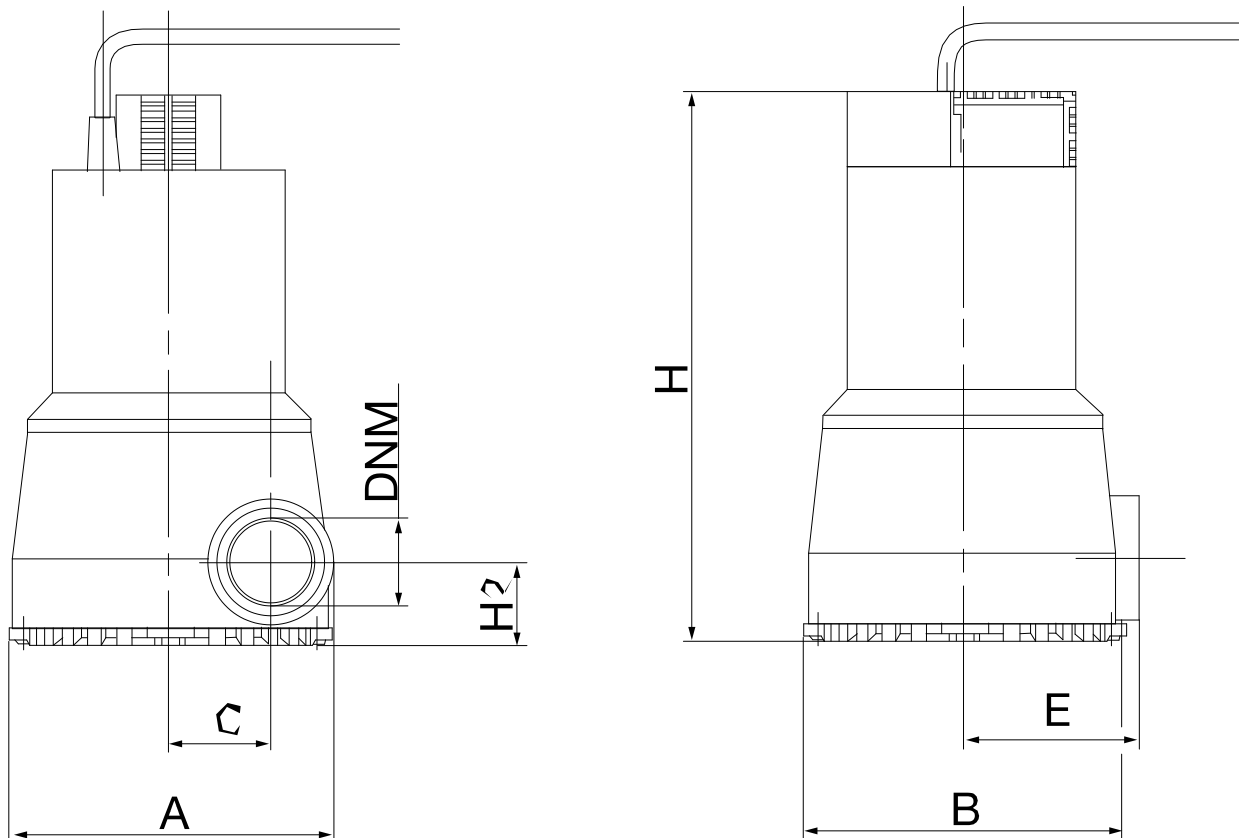
DAB PUMPS S.p.A.
Via Marco Polo, 14 - 35035 Mestrino (PD), Italy
Tel. +39 049 5125000 - Fax +39 049 5125950
www.dabpumps.com

Receiver

From

Society
Reference
Address
Phone
Fax
E-mail

NOVA 180 M-NA SV



Dimensions in mm				Pump connection			
1	A	148					Suction
2	B	148					
3	C	46					
4	DNM	1" 1/4 G					
5	E	82					Discharge
6	H	253					1" 1/4 G
7	H2	38					--
8							

MAIN_PROJECT_TITLE	BUSINESS_PROCESS_ID	OWNER_	ISSUE_DATE
	Untitled project 2019-01-21 15:10:13.860		21/01/2019