

Receiver

Company
Reference
Address
Phone
Fax
E-mail

From

Item n° : 102980420
Customer pos. no.:

Model :
KVCX 35/120 M

Pump data

MEI $\geq 0,50$

Pressure rating : 1,2 MPa
Min. fluid temperature : 0 °C
Max. fluid temperature : 40 °C
Max. Ambient temperature : 40 °C

Requested data

Flow :
Head :
Fluid : Water
Fluid Temperature : 20 °C
Density : 998,3 kg/m³
Kinematic viscosity : 1,005 mm²/s
Vapor pressure : 0,00 MPa

Hydraulic data (duty point)

Flow :
Head :
NPSH :
Shaft power P2 : 1,10 kW
Efficiency :

Materials

Impeller : Technopolymer B
Diffuser : Technopolymer B
Shaft with rotor : AISI 303 X10 CrNiS 1809 UNI 6900/71
External sleeve : AISI 304 X5 Cr Ni 1810 UNI 6900/71
Seal disk : AISI 304 X5 Cr Ni 1810 UNI 6900/71
Mechanical seal : Silicon carbide/Carbon
O-Ring : EPDM Rubber

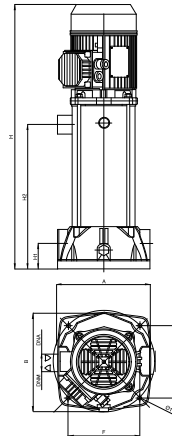
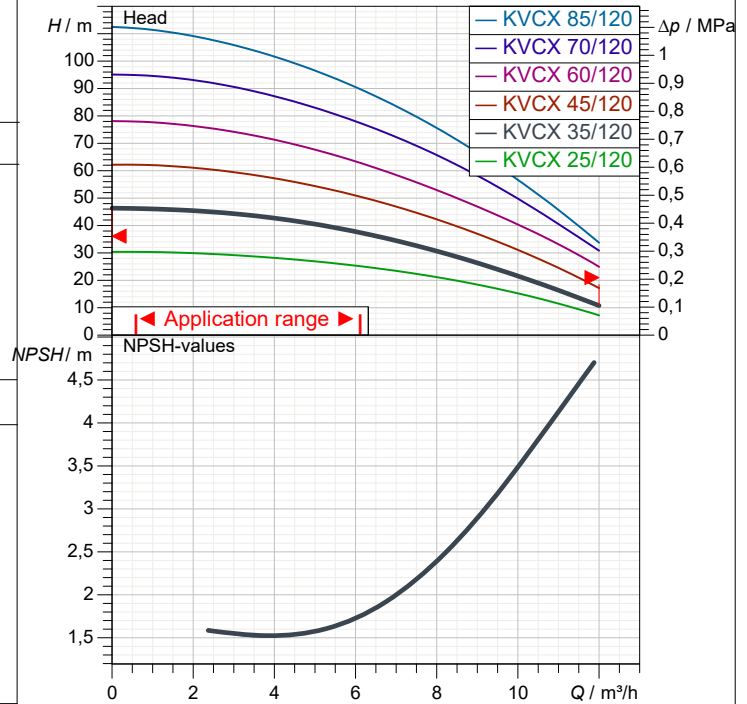
Motor data

Motor brand : DAB
Nominal power P2 : 1,1 kW
Rated speed : 2.800 1/min
Rated voltage : 1~ 230 V 50 Hz
Nominal current : 7,4 A
Degree of protection : IP 55

Pump connection

Suction side : 1 " 1/4 G / 1,2 MPa
Discharge side : 1 " 1/4 G / 1,2 MPa

Curve tolerance according to ISO 9906



Weight : 20,1 kg

Dimensions in

mm

A	221
B	235
DNA	1"1/4 G
DNM	1"1/4 G
F	170
H1	60
H2	184
Ø I	9



PERFORMANCE CURVES

2023-03-17

Page 2 / 3

DAB PUMPS S.p.A.
Via Marco Polo, 14 - 35035 Mestrino (PD), Italy
Tel. +39 049 5125000 - Fax +39 049 5125950
www.dabpumps.com

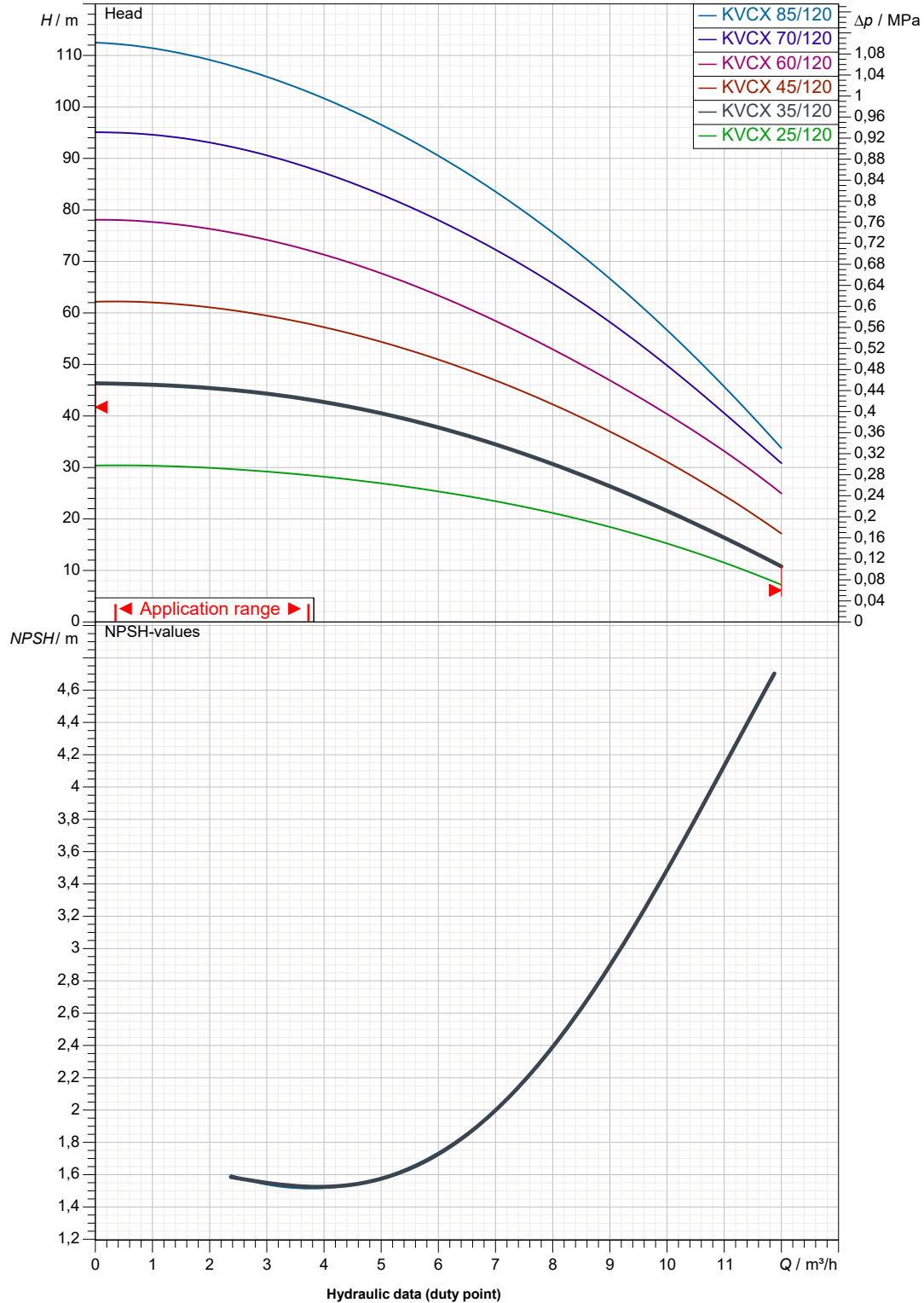
Receiver

From

Company
Reference
Address
Phone
Fax
E-mail

KVCX 35/120 M

Curve tolerance according to ISO 9906



Suction side :
1" 1/4 G
1,2 MPa

Discharge side :
1" 1/4 G
1,2 MPa

Flow :

Head :

Rated speed :
2.800 1/min

MAIN_PROJECT_TITLE

BUSINESS_PROCESS_ID

OWNER_

ISSUE_DATE
2023-03-17



DIMENSIONAL DRAWING

2023-03-17

Page 3 / 3

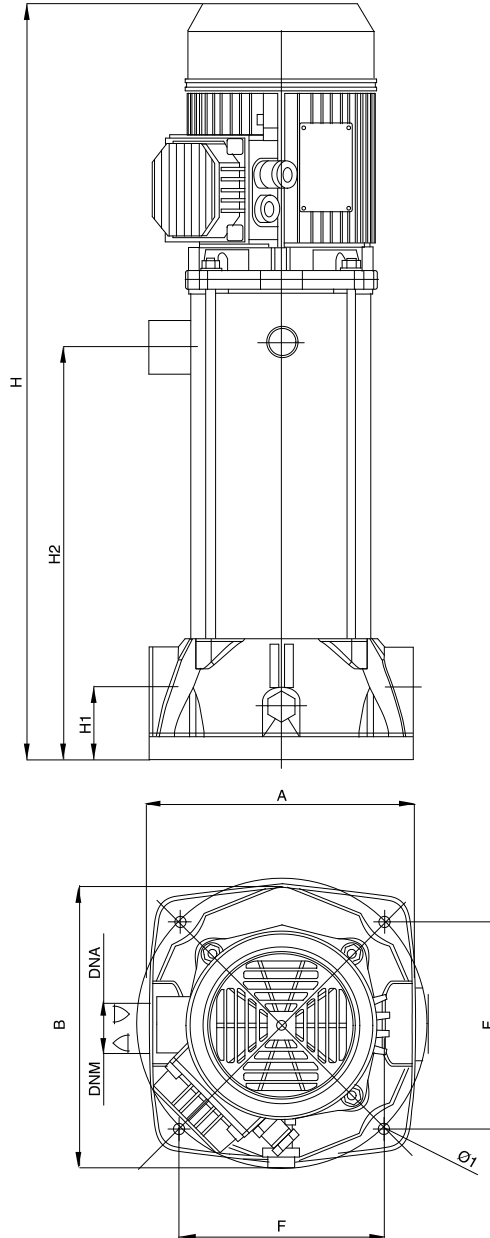
DAB PUMPS S.p.A.
Via Marco Polo, 14 - 35035 Mestrino (PD), Italy
Tel. +39 049 5125000 - Fax +39 049 5125950
www.dabpumps.com

Receiver

From

Company
Reference
Address
Phone
Fax
E-mail

KVCX 35/120 M



Dimensions in mm

Pump connection

1	A	221					
2	B	235					
3	DNA	1"1/4 G					Suction
4	DNM	1"1/4 G					1" 1/4 G
5	F	170					1,2 MPa
6	H1	60					
7	H2	184					Discharge
8	Ø1	9					1" 1/4 G
9							1,2 MPa
10							
11							

MAIN_PROJECT_TITLE

BUSINESS_PROCESS_ID

OWNER

ISSUE_DATE

2023-03-17