

**Receiver**

**From**

Company  
Reference  
Address  
Phone  
Fax  
E-mail

**Item n° :** 102676030  
**Customer pos. no.:**  
**Model :** JETCOM SP 102 M

**Pump data**

Pressure rating : 0,6 MPa  
Min. fluid temperature : 0 °C  
Max. fluid temperature : 35 °C  
Max. Ambient temperature : 40 °C

**Priming capacity :**

H	m	2	3	4	5	6	7	8	9
Q	m³/h	3,06	2,82	2,46	2,28	2,04	1,68	1,38	1,08

**Requested data**

Flow :  
Head :  
Fluid : Water  
Fluid Temperature : 20 °C  
Density : 998,3 kg/m³  
Kinematic viscosity : 1,005 mm²/s  
Vapor pressure : 0,00 MPa

**Hydraulic data (duty point)**

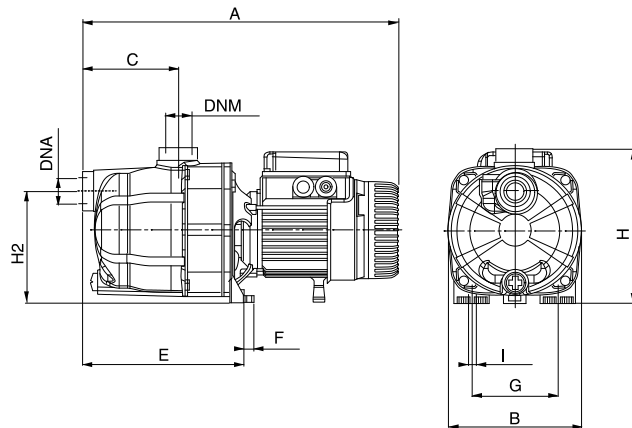
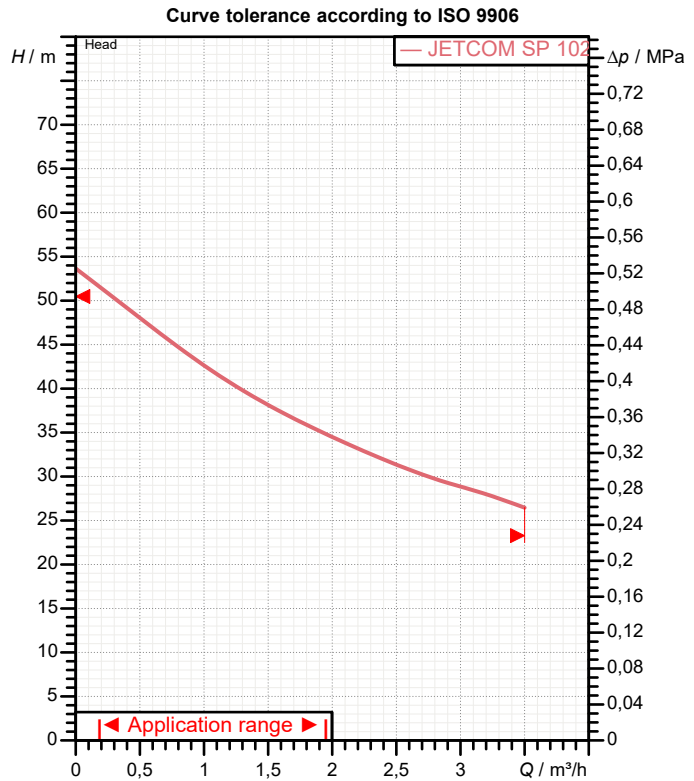
Flow :  
Head :

**Materials**

Pump body : Technopolymer A  
Impeller : Technopolymer A  
Shaft with rotor : AISI 316  
O-Ring : NBR  
Diffuser : Technopolymer A  
Mechanical seal : Carbon/Ceramic  
Disc seal : AISI 316

**Motor data**

Motor brand : DAB  
Nominal power P2 : 0,75 kW  
Rated speed : 2.800 1/min  
Rated voltage : 1~ 220-240 V  
Nominal current : 5,7 A  
Degree of protection : IP 68



Dimensions in		mm					
A	425	DNM	1"G	H	203		
B	170	E	208	H2	144		
C	122	F	14	I Ø	9		
DNA	1"G	G	111				
<b>Weight :</b>		9,5 kg					
<b>Pump connection</b>							
Suction side :		1 " G / 0,6 MPa					
Discharge side :		1 " G / 0,6 MPa					



# PERFORMANCE CURVES

2023-03-17

Page 2 / 3

DAB PUMPS S.p.A.  
Via Marco Polo, 14 - 35035 Mestrino (PD), Italy  
Tel. +39 049 5125000 - Fax +39 049 5125950  
www.dabpumps.com

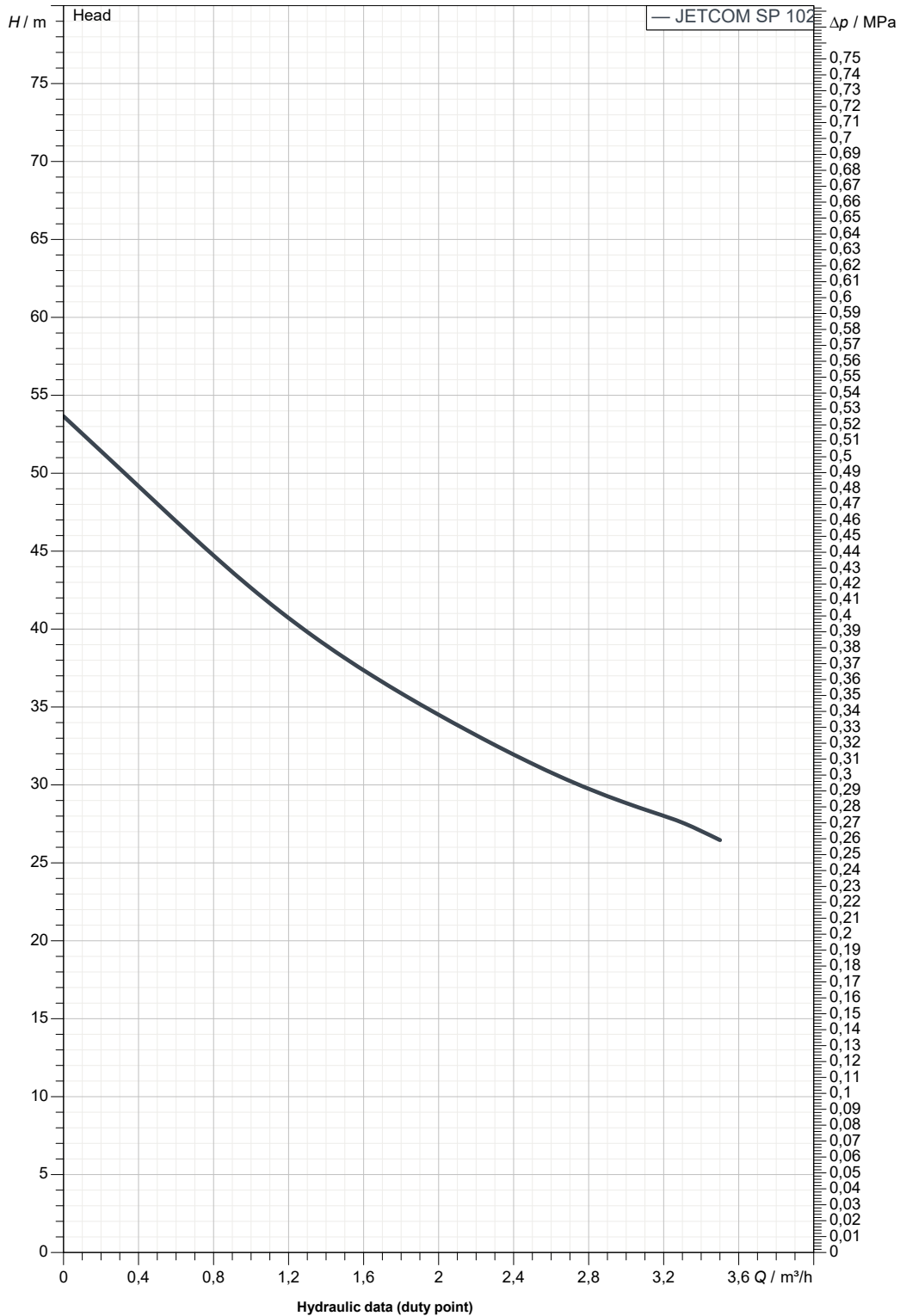
Receiver

From

Company  
Reference  
Address  
Phone  
Fax  
E-mail

## JETCOM SP 102 M

Curve tolerance according to ISO 9906



Suction side :  
1" G  
0,6 MPa

Discharge side :  
1" G  
0,6 MPa

Flow :

Head :

Rated speed :  
2.800 1/min

MAIN\_PROJECT\_TITLE

BUSINESS\_PROCESS\_ID

OWNER\_

ISSUE\_DATE

2023-03-17



# DIMENSIONAL DRAWING

DAB PUMPS S.p.A.  
Via Marco Polo, 14 - 35035 Mestrino (PD), Italy  
Tel. +39 049 5125000 - Fax +39 049 5125950  
www.dabpumps.com

2023-03-17

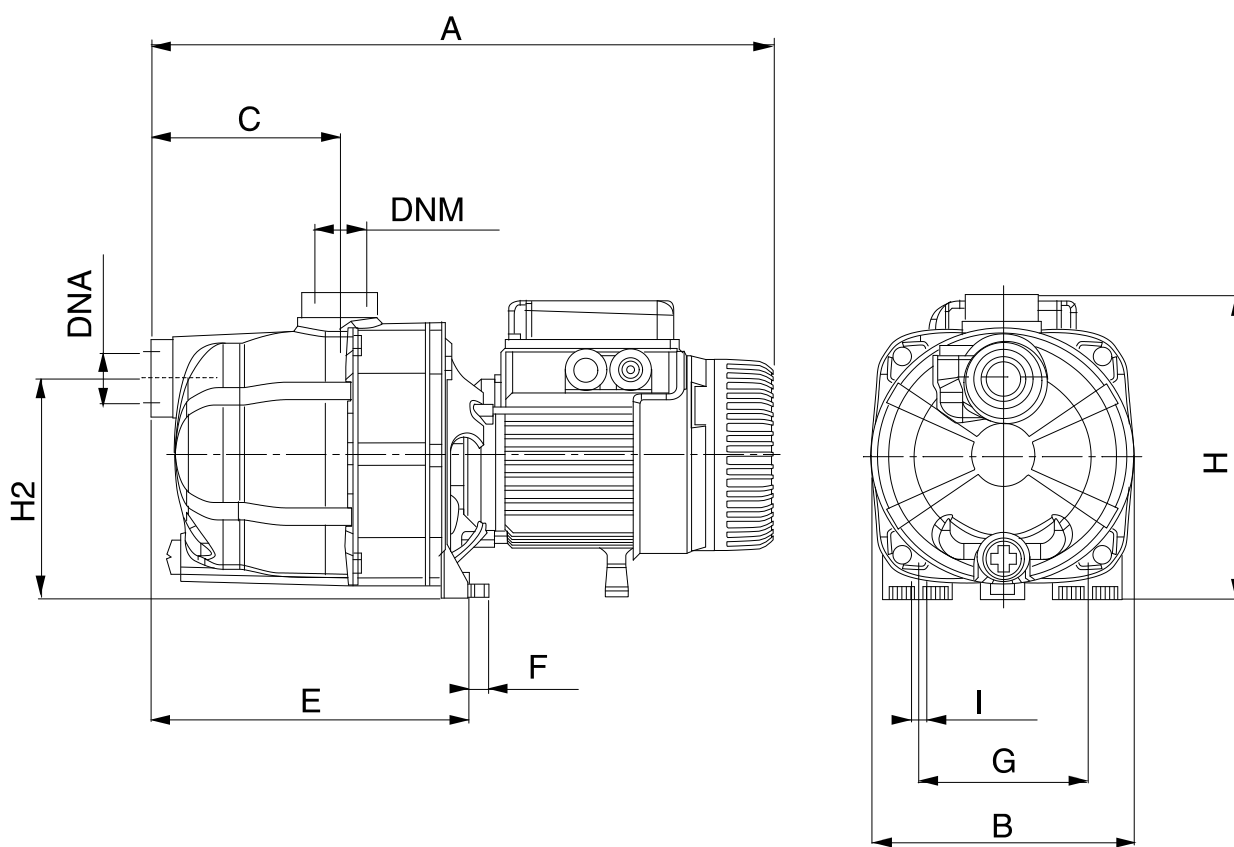
Page 3 / 3

Receiver

From

Company  
Reference  
Address  
Phone  
Fax  
E-mail

## JETCOM SP 102 M



**Dimensions in mm**

**Pump connection**

1	A	425					
2	B	170					Suction
3	C	122					1" G
4	DNA	1" G					0,6 MPa
5	DNM	1" G					Discharge
6	E	208					1" G
7	F	14					0,6 MPa
8	G	111					
9	H	203					
10	H2	144					
11	I Ø	9					

MAIN_PROJECT_TITLE	BUSINESS_PROCESS_ID	OWNER	ISSUE_DATE 2023-03-17
--------------------	---------------------	-------	--------------------------