

Receiver
From

 Company
 Reference
 Address
 Phone
 Fax
 E-mail

Item n° :

102160142

Customer pos. no.:
Model :

JET 200 M

Pump data

 Pressure rating : 0,8 MPa
 Min. fluid temperature : 0 °C
 Max. fluid temperature : 35 °C
 Max. Ambient temperature : 40 °C

Priming capacity :

H m	2	3	4	5	6	7	8
Q m³/h	9,48	8,58	7,8	6,48	5,58	4,68	3,72

Requested data

 Flow :
 Head :
 Fluid : Water
 Fluid Temperature : 20 °C
 Density : 998,3 kg/m³
 Kinematic viscosity : 1,005 mm²/s
 Vapor pressure : 0,00 MPa

Hydraulic data (duty point)

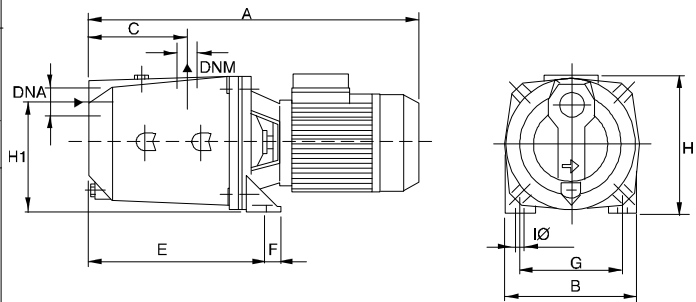
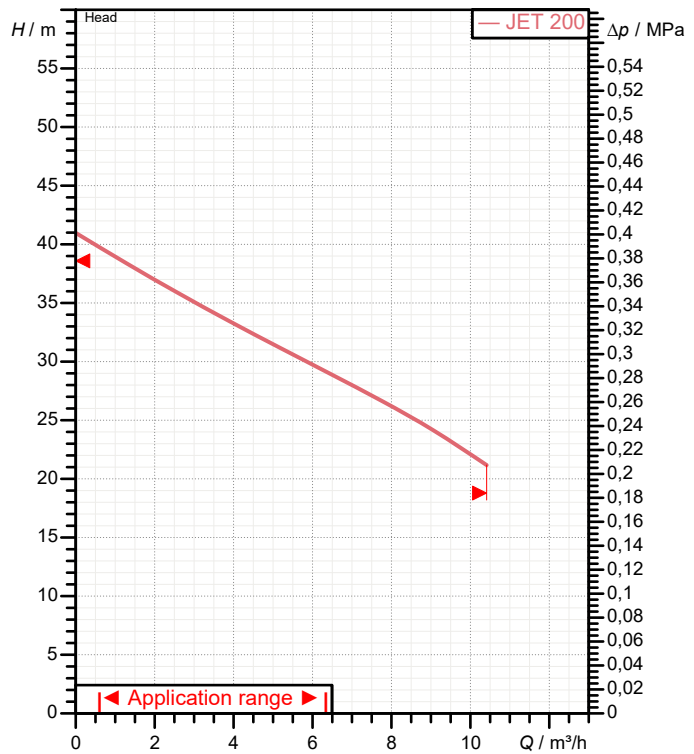
 Flow :
 Head :

Materials

 Pump body : Cast iron GJL 200 UNI EN 1561
 Support : Cast iron GJL 200 UNI EN 1561
 Impeller : Noryl
 Mechanical seal : Carbon/Ceramic
 O-Ring : NBR Rubber
 Shaft with rotor : AISI 303
 Nozzle venturi diffuser assembly : Noryl

Motor data

 Motor brand : DAB
 Nominal power P2 : 1,5 kW
 Rated speed : 2.850 1/min
 Rated voltage : 1~ 220-240 V 50 Hz
 Nominal current : 9 A
 Degree of protection : IP 44

Curve tolerance according to ISO 9906

Dimensions in mm

A	521	DNM	1"1/4 G	H	227		
B	214	E	282	H1	175		
C	151	F	20	I Ø	11		
DNA	1"1/2 G	G	160				

Weight : 27 kg

Pump connection

 Suction side : 1 " 1/2 G / 0,8 MPa
 Discharge side : 1 " 1/4 G / 0,8 MPa



PERFORMANCE CURVES

2023-03-17

Page 2 / 3

DAB PUMPS S.p.A.
Via Marco Polo, 14 - 35035 Mestrino (PD), Italy
Tel. +39 049 5125000 - Fax +39 049 5125950
www.dabpumps.com

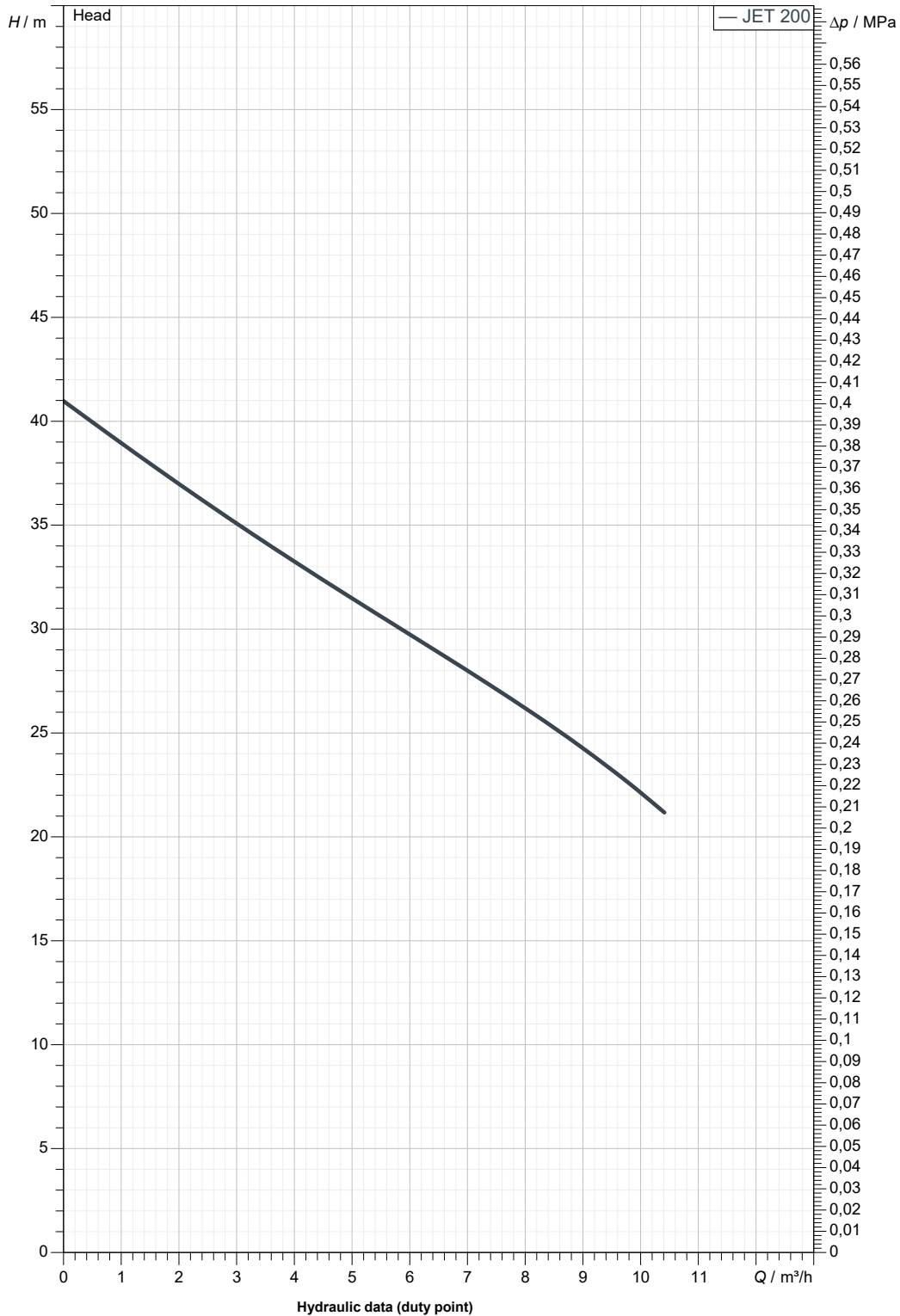
Receiver

From

Company
Reference
Address
Phone
Fax
E-mail

JET 200 M

Curve tolerance according to ISO 9906



Suction side :
1" 1/2 G
0,8 MPa

Discharge side :
1" 1/4 G
0,8 MPa

Flow :

Head :

Rated speed :
2.850 1/min

MAIN_PROJECT_TITLE

BUSINESS_PROCESS_ID

OWNER_

ISSUE_DATE
2023-03-17



DIMENSIONAL DRAWING

2023-03-17

Page 3 / 3

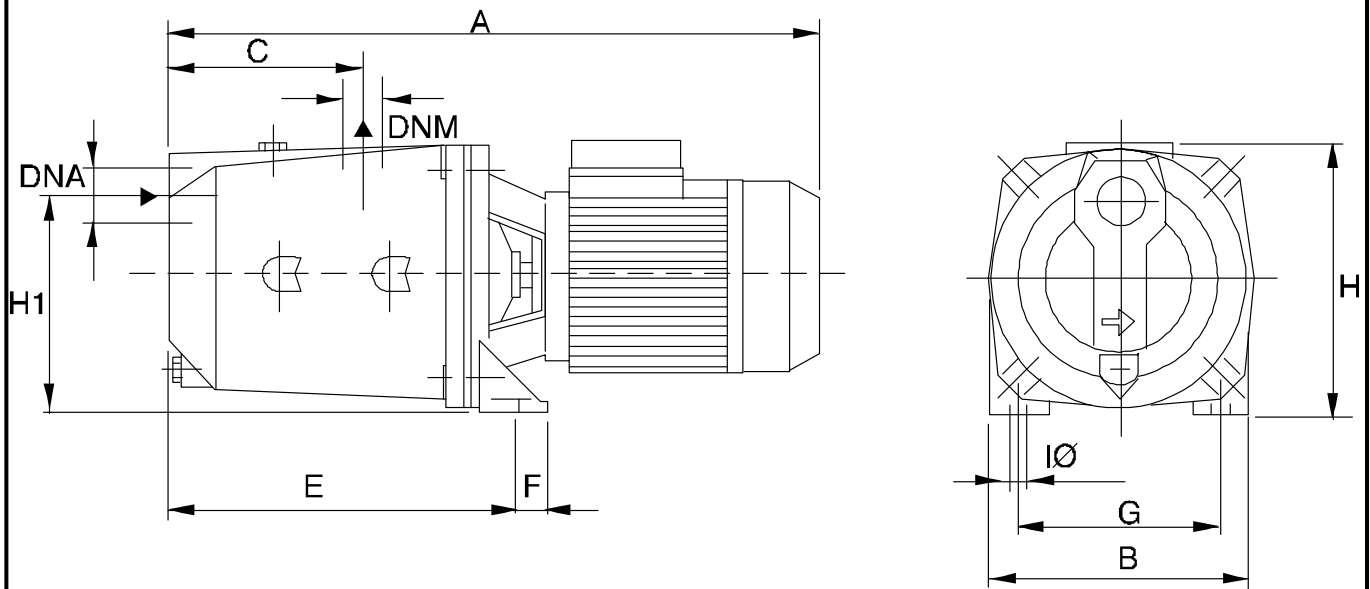
DAB PUMPS S.p.A.
Via Marco Polo, 14 - 35035 Mestrino (PD), Italy
Tel. +39 049 5125000 - Fax +39 049 5125950
www.dabpumps.com

Receiver

From

Company
Reference
Address
Phone
Fax
E-mail

JET 200 M



Dimensions in mm				Pump connection	
1	A	521			
2	B	214			Suction
3	C	151			1" 1/2 G
4	DNA	1"1/2 G			0,8 MPa
5	DNM	1"1/4 G			
6	E	282			Discharge
7	F	20			1" 1/4 G
8	G	160			0,8 MPa
9	H	227			
10	H1	175			
11	IØ	11			

MAIN_PROJECT_TITLE	BUSINESS_PROCESS_ID	OWNER_	ISSUE_DATE 2023-03-17
--------------------	---------------------	--------	---------------------------------