

Receiver
From

 Company
 Reference
 Address
 Phone
 Fax
 E-mail

Item n° :

102160092

Customer pos. no.:
Model :

JET 251 M

Pump data

 Pressure rating : 0,8 MPa
 Min. fluid temperature : 0 °C
 Max. fluid temperature : 35 °C
 Max. Ambient temperature : 40 °C

Priming capacity :

H	m	2	3	4	5	6	7	8	
Q	m³/h	6,3	5,52	4,92	4,32	3,72	3,3	2,46	

Requested data

 Flow :
 Head :
 Fluid : Water
 Fluid Temperature : 20 °C
 Density : 998,3 kg/m³
 Kinematic viscosity : 1,005 mm²/s
 Vapor pressure : 0,00 MPa

Hydraulic data (duty point)

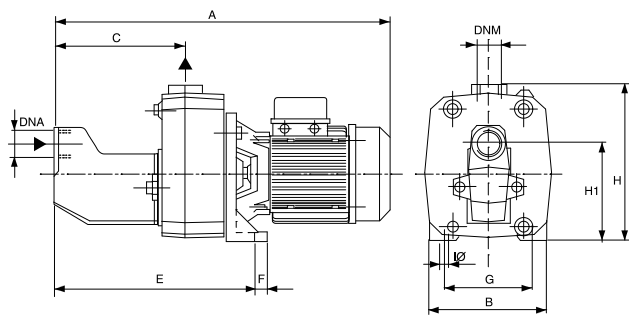
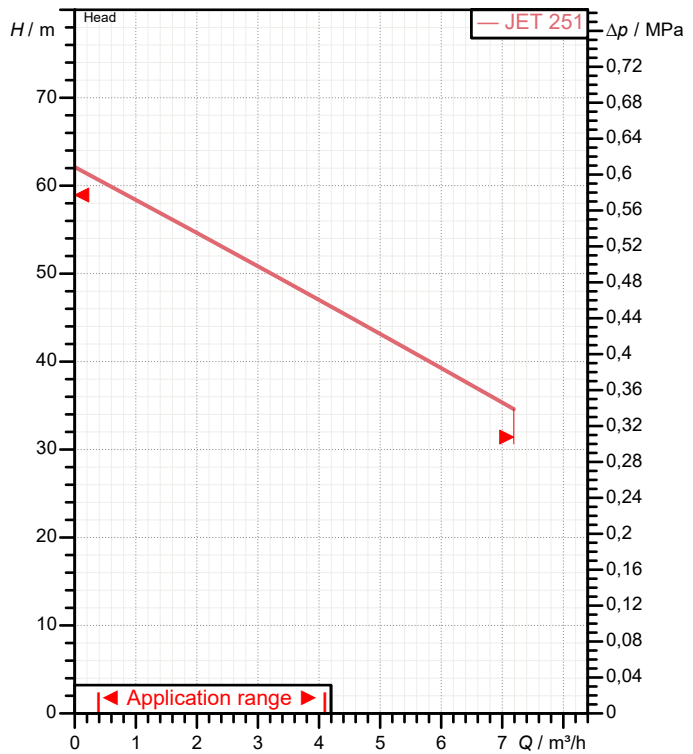
 Flow :
 Head :

Materials

 Pump body : Cast iron GJL 200 UNI EN 1561
 Support : Cast iron GJL 200 UNI EN 1561
 Impeller : Noryl
 Mechanical seal : Carbon/Ceramic
 O-Ring : NBR Rubber
 Shaft with rotor : AISI 303
 Nozzle venturi diffuser assembly : Noryl

Motor data

 Motor brand : DAB
 Nominal power P2 : 1,85 kW
 Rated speed : 2.800 1/min
 Rated voltage : 1~ 220-240 V 50 Hz
 Nominal current : 10 A
 Degree of protection : IP 44

Curve tolerance according to ISO 9906

Dimensions in mm

A	632	DNM	1" G	H	255		
B	210	E	350	H1	158		
C	221	F	20	I Ø	11		
DNA	1"1/4 G	G	145				

Weight : 35 kg

Pump connection

 Suction side : 1" 1/4 G / 0,8 MPa
 Discharge side : 1" G / 0,8 MPa



PERFORMANCE CURVES

2023-03-17

Page 2 / 3

DAB PUMPS S.p.A.
Via Marco Polo, 14 - 35035 Mestrino (PD), Italy
Tel. +39 049 5125000 - Fax +39 049 5125950
www.dabpumps.com

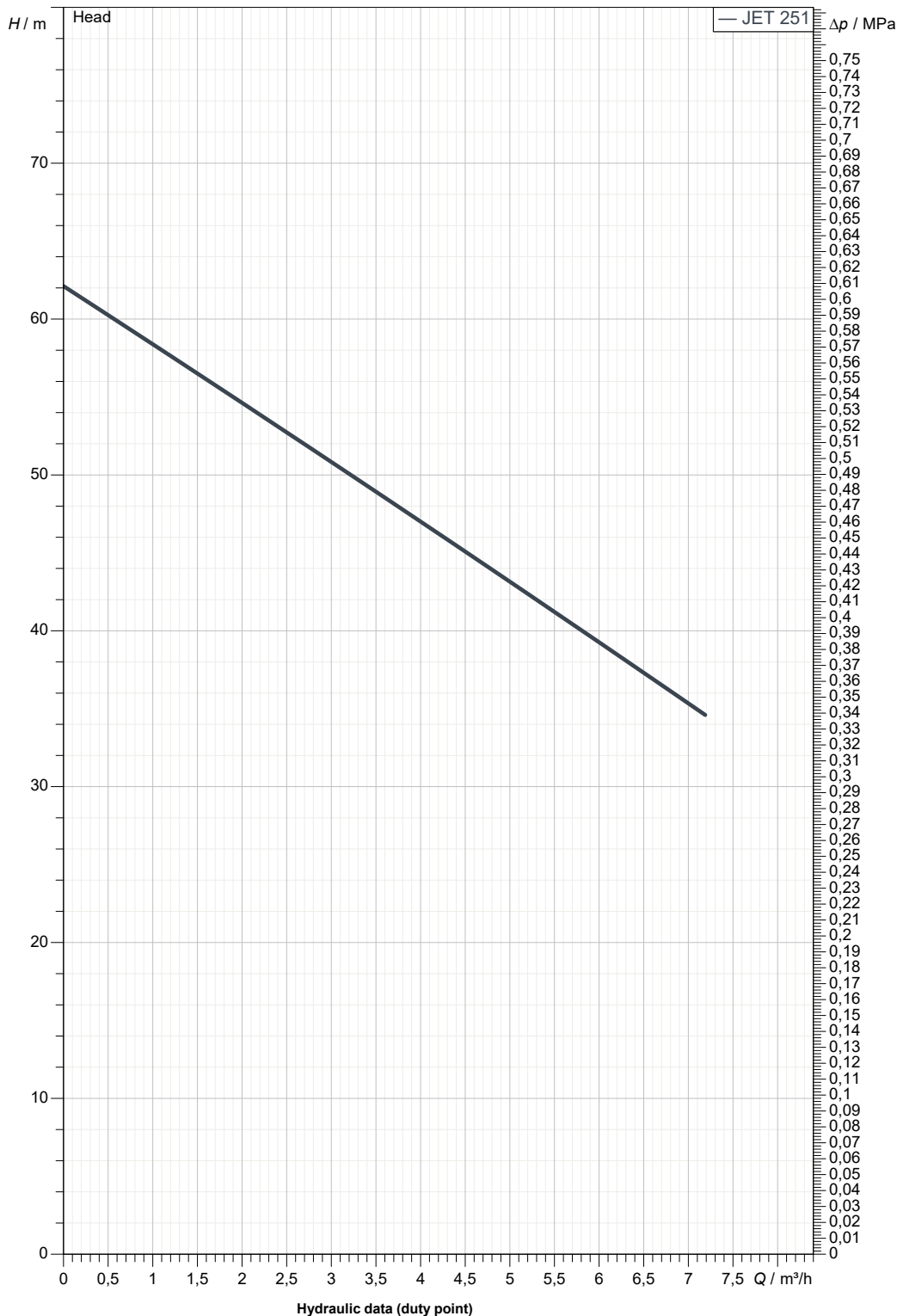
Receiver

From

Company
Reference
Address
Phone
Fax
E-mail

JET 251 M

Curve tolerance according to ISO 9906



Suction side :
1" 1/4 G
0,8 MPa

Discharge side :
1" G
0,8 MPa

Flow :

Head :

Rated speed :
2.800 1/min

MAIN_PROJECT_TITLE

BUSINESS_PROCESS_ID

OWNER_

ISSUE_DATE

2023-03-17



DIMENSIONAL DRAWING

2023-03-17

Page 3 / 3

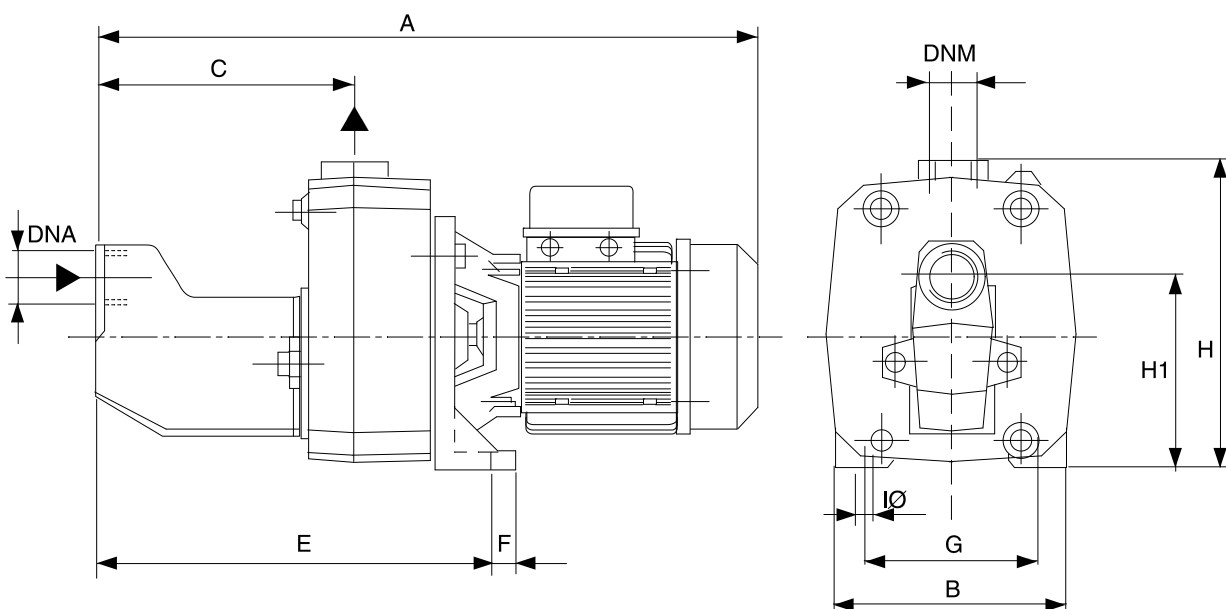
DAB PUMPS S.p.A.
Via Marco Polo, 14 - 35035 Mestrino (PD), Italy
Tel. +39 049 5125000 - Fax +39 049 5125950
www.dabpumps.com

Receiver

From

Company
Reference
Address
Phone
Fax
E-mail

JET 251 M



Dimensions in mm

Pump connection

1	A	632					
2	B	210					Suction
3	C	221					1" 1/4 G
4	DNA	1"1/4 G					0,8 MPa
5	DNM	1" G					Discharge
6	E	350					1" G
7	F	20					0,8 MPa
8	G	145					
9	H	255					
10	H1	158					
11	IØ	11					

MAIN_PROJECT_TITLE

BUSINESS_PROCESS_ID

OWNER

ISSUE_DATE

2023-03-17